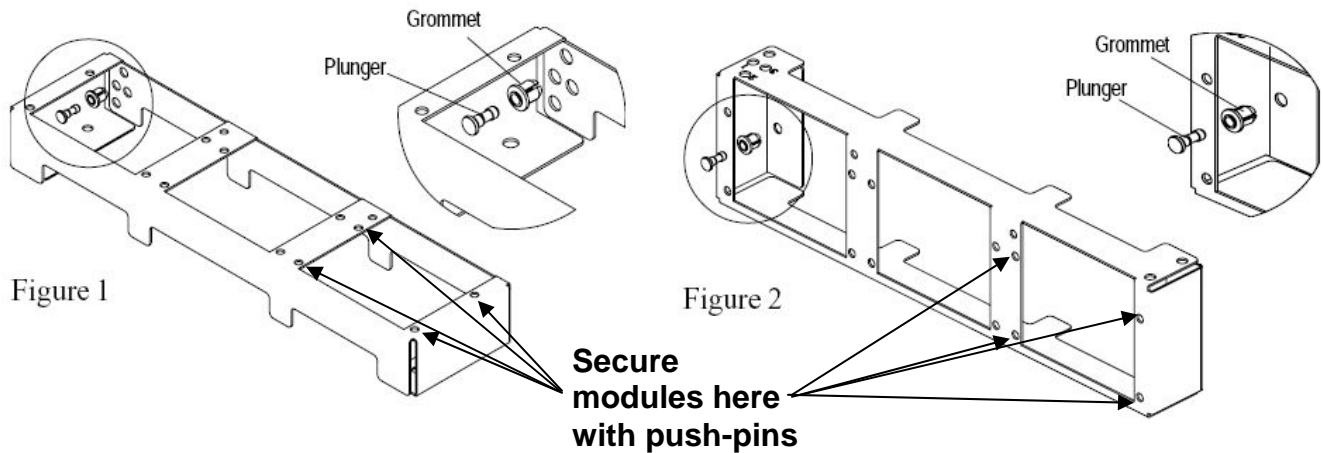


1. Introduction

The On-Q/Legrand 3-Bay Mounting Bracket (P/N F7510) is designed to mount up to three single bay modules in virtually any enclosure, including all On-Q styles as well as Leviton and Open House enclosures.

2. Description

The On-Q 3-Bay Module Mounting Bracket, is designed to be mounted in the enclosures with multiple push-pins (typically one at each corner) in one of two orientations (see **Figure 1** and call out for video (RF coax) module installations and **Figure 2** and call out for phone and data (Cat 5e) module installations. Up to three single bay modules) can then be mounted in the bracket, using push-pins at the corners of the modules.



3. Installation

The On-Q 3-Bay Module Mounting Bracket is typically installed during “trim-out” or as an upgrade for an existing installation.

- A. Bracket installation for use with Video Modules.
 1. Hold the bracket so that the module openings are pointing upward.
 2. Insert one grommet into each of the four holes on the inside of the bracket (see **Figure 1** and its callout and **Figure 3**).

NOTE: The brackets are designed to work with other manufacturer’s enclosures. Use Figure 3 as a reference for which holes to use with which manufacturer. (#1 = Greyfox or Pass and Seymour, #2 = Open House or Leviton and #3 = On-Q.

 3. Insert a plunger into each grommet and pull back on the plungers, once inserted, to insure they are unlatched.
 4. Line up the bracket with the appropriate holes in the enclosure, and push in the plungers to latch the grommets and lock the bracket to the enclosure.

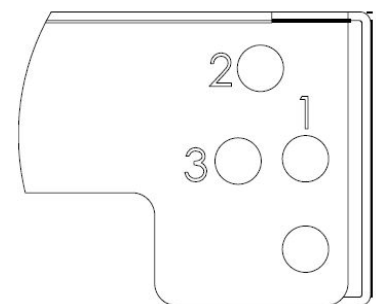


Figure 3

INSTRUCTION/INSTALLATION SHEET 3-Bay Module Mounting Bracket

IS-0411 REV. O

- B. Bracket installation for use with Phone or Data Modules.
1. Hold the bracket so that the module openings are pointing outward.
 2. Insert one grommet into each of the four holes on the inside of the bracket (see **Figure 2** and its callout and **Figure 4**).
- NOTE: The brackets are designed to work with other manufacturer's enclosures. Use Figure 4 as a reference for which holes to use with which manufacturer. (#1 = Greyfox or Pass and Seymour, #2 = Open House or Leviton and #3 = On-Q.**
3. Insert a plunger into each grommet and pull back on the plungers, once inserted, to insure they are unlatched.
 4. Line up the bracket with the appropriate holes in the enclosure, and push in the plungers to latch the grommets and lock the bracket to the enclosure.

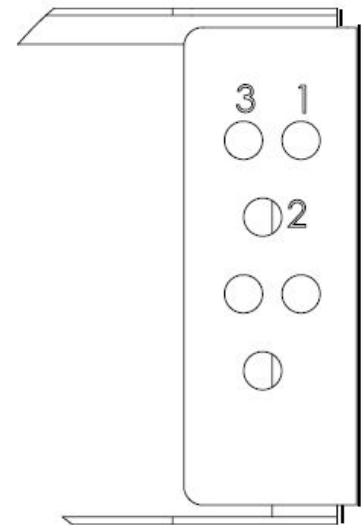


Figure 4