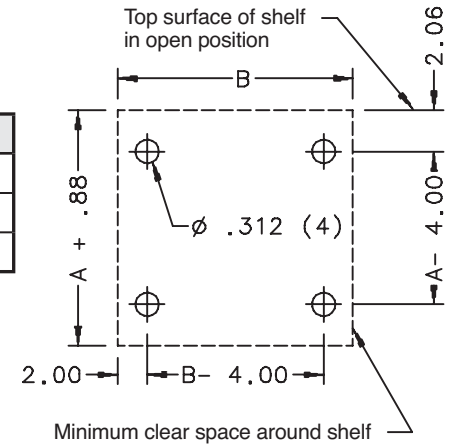


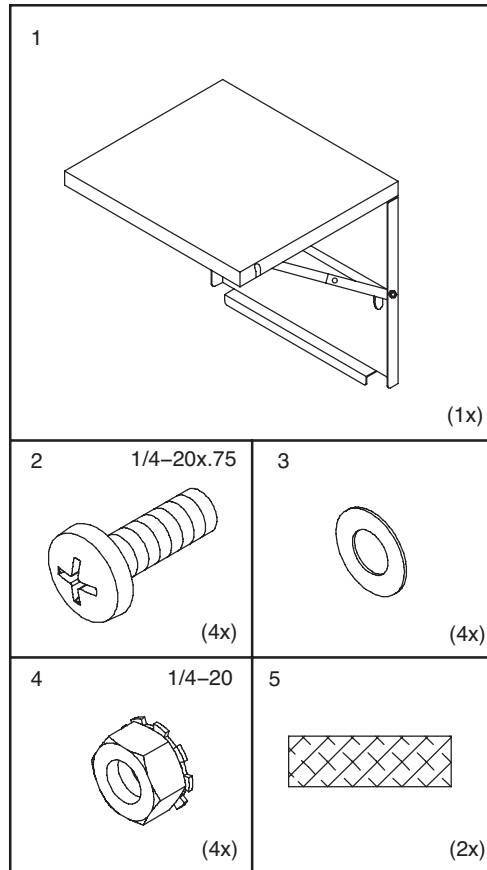
## Folding Shelf

Catalog No.	A	B
ACSHELF1212SS	12.00	12.00
ACSHELF1818SS	18.00	18.00
ACSHELF2424SS	24.00	24.00



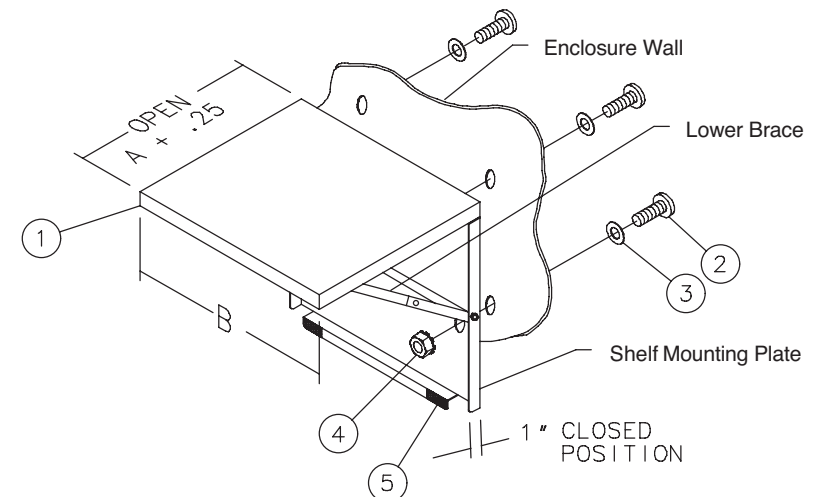
### INSTALLATION INSTRUCTIONS

1. Drill holes per drilling pattern.
2. Raise shelf until braces unfold into the locked position.
3. Place plastic washers over screws and insert through enclosure wall and shelf mounting holes. Secure with keps nuts.
4. Apply velcro strips at locations shown.
5. To store shelf, lift front of shelf upward to unlock braces. Push lower brace inward to allow shelf to fold down. The shelf will lock in place with velcro strips, item 5.



⚠ **WARNING**

To avoid electric shock, do not energize any circuits before all internal and external electrical and mechanical clearances are checked to assure that all assembled equipment functions safely and properly.



This accessory maintains UL/CSA Type 12,4,4X when installed per these instructions.  
 This accessory is covered by UL file E61997 and CSA file LR42186.