



Lightolier LED Surface Mount Downlight dual select downlight is a perfect problem solver fixture. When you are faced with a challenging ceiling, but want a nice LED downlight, this is the perfect product for you. The CCT and Lumen selection features make it easy to adjust at the time of installation.

Project: _____
 Location: _____
 Cat.No: _____
 Type: _____
 Qty: _____
 Notes: _____



Fixture

example: SD5RSLMZ10SCTUW

Family	Size	Lumens	Dimming	CCT / CRI	Voltage	Finish
SD						W
SD Surface Mount Downlight	5R 5in Round	7 700lm	E TRIAC to 5%	SCT Field Selectable 5CCT (2700K, 3000K, 3500K, 4000K & 5000K)	1 120V	W White (matte)
		SLM Field Selectable (540lm/700lm)	Z10 0-10V	SCT Field Selectable 5CCT (2700K, 3000K, 3500K, 4000K & 5000K)	U UNV	
	7R 7in Round	10 1000lm	E TRIAC to 5%	SCT Field Selectable 5CCT (2700K, 3000K, 3500K, 4000K & 5000K)	1 120V	
		SLM Field Selectable (800lm/1000lm)	Z10 0-10V	SCT Field Selectable 5CCT (2700K, 3000K, 3500K, 4000K & 5000K)	U UNV	
	9R 9in Round	SLM Field Selectable (900lm/1200lm)	Z10 0-10V	SCT Field Selectable 5CCT (2700K, 3000K, 3500K, 4000K & 5000K)	U UNV	
	11R 11in Round	SLM Field Selectable (1200lm/1500lm)	Z10 0-10V	SCT Field Selectable 5CCT (2700K, 3000K, 3500K, 4000K & 5000K)	U UNV	
14R 14in Round	SLM Field Selectable (1600lm/2000lm)	Z10 0-10V	SCT Field Selectable 5CCT (2700K, 3000K, 3500K, 4000K & 5000K)	U UNV		

Features

- Flange:** One piece plastic flange. White painted.
- Lens:** Diffused lens for smooth, comfortable light pattern.
- Power supply:** Integral class 2 driver (see Electrical section for specifications).
- Lifetime:** Expected lifetime 50,00 hours and backed by a 5-year warranty (see Philips.com/warranties for details).
- Compliance:** Non-conductive fixture for shower light application.

Electrical

Electronic power supply:
 RoHS compliant.
 Class 2 power unit.

Dimming:
 Intended for ELV/TRIAC (120V) and 0-10V (UNV) dimming please review ordering chart to see available options.

Labels

ETL listed (UL 1598) for damp locations (covered ceiling only). IC rated for direct contact with thermal insulation.
 AirSeal for minimal air leakage.
 ENERGY STAR® certified.
 Title 24 compliant (JA8).

	Lumen Output	Input voltage	Input Freq	Max. Input current	Max. Input power	Max. THD	Power factor	CRI	Operating Temp. (Min)	Operating Temp. (Max)
5" Round 120V	700 lumens	120V	60Hz	0.28A	11W	20%	0.9	90	-15°C	40°C
5" Round UNV	540lm/700lm	120V - 277V	50/60Hz	0.28A	11W/9W	20%	0.9	90	-20°C	40°C
7" Round 120V	1000 lumens	120V	60Hz	0.32A	14W	20%	0.9	90	-15°C	40°C
7" Round UNV	800lm/1000lm	120V - 277V	50/60Hz	0.32A	14W/12W	20%	0.9	90	-20°C	40°C
9" Round UNV	900lm/1200lm	120V - 277V	50/60Hz	0.37A	16W/13W	20%	0.9	90	-20°C	40°C
11" Round UNV	1200lm/1500lm	120V - 277V	50/60Hz	0.47A	20W/16W	20%	0.9	90	-20°C	40°C
14" Round UNV	1600lm/2000lm	120V - 277V	50/60Hz	0.49A	25W/20W	20%	0.9	90	-20°C	40°C

* Restrictions on Hazardous Substances (RoHS) is a European directive (2002/95/EC) designed to limit the content of 6 substances [lead, mercury, cadmium, hexavalent chromium, polybrominated biphenyls (PBB), and polybrominated diphenyl ethers (PBDE)] in electrical and electronic products. For products used in North America compliance to RoHS is voluntary and self-certified.



SD Surface Mount Downlight dual select

5", 7", 9", 11" and 14" Round

Compatibility

Installs into standard J-box applications:



3 1/2" round (plastic)



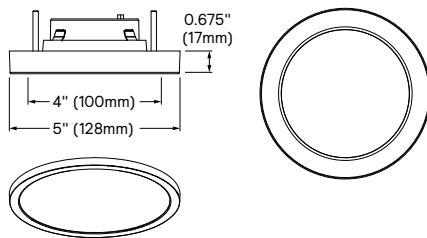
4" octagonal (metal)



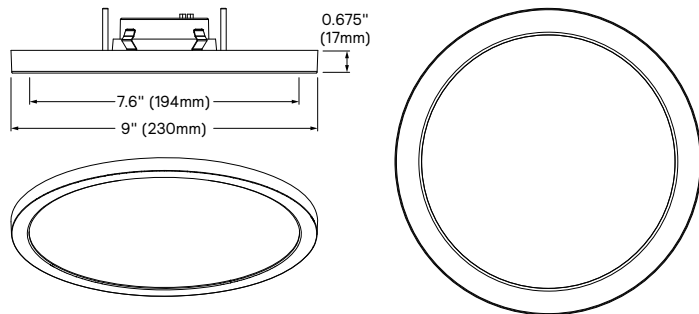
Fire rated J-box
Fire rated classification is per the ceiling and junction box ratings.

Dimensions

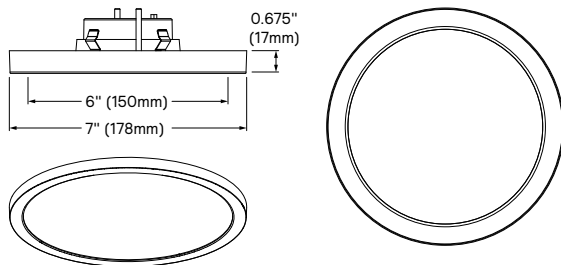
Surface Mount Downlight 5"



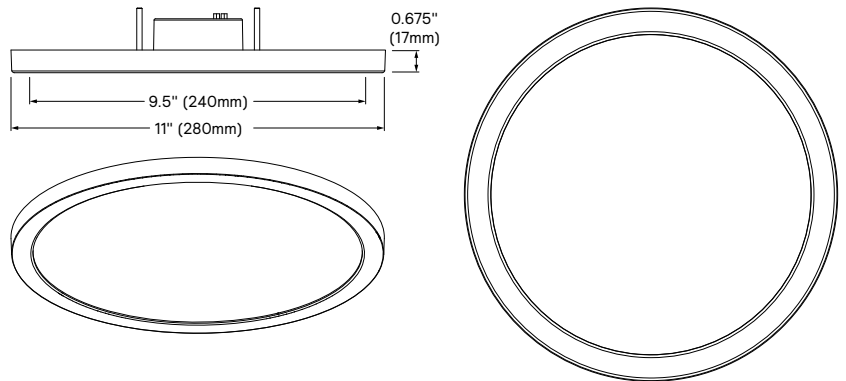
Surface Mount Downlight 9"



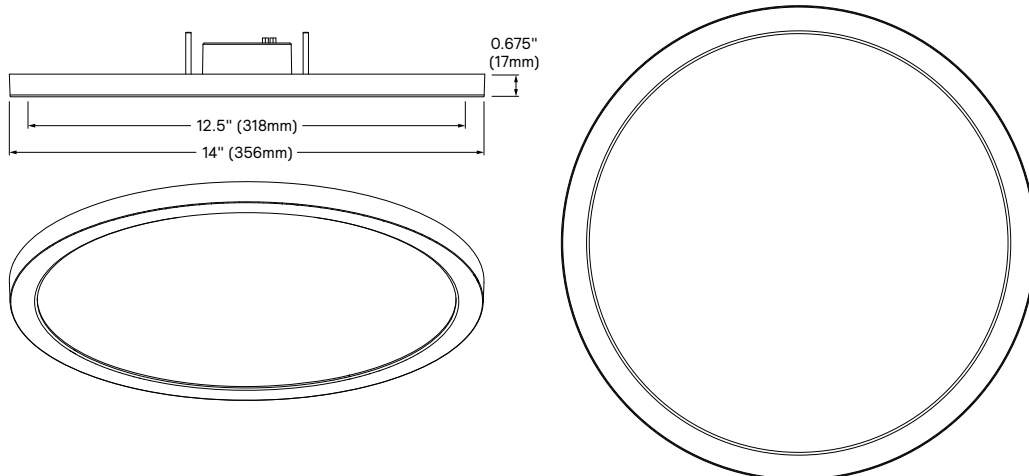
Surface Mount Downlight 7"



Surface Mount Downlight 11"



Surface Mount Downlight 14"

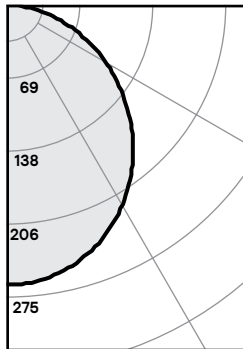


SD Surface Mount Downlight dual select

5", 7", 9", 11" and 14" Round

SD5RSLMZ10SCTUW • 5" Round, Field Selectable lumens, Field Selectable CCT, 0-10V dimming, Universal Voltage, White Finish

Candela Curve



Fixture: SD5RSLMZ10SCTUW

Output lumens: 716 lms
 Input watts: 10.5 W
 CRI: 90 (min)
 CCT¹: 2700K
 Beam Angle: 108°
 Spacing Criterion: 1.24

Zonal summary

Zone	Lumens	%Luminaire
0-30	203	28.4%
0-40	330	46.1%
0-60	545	76.1%
0-90	716	100.0%

Angle	Mean CP	Lumens
0	264	
5	262	
10	258	25
15	252	
20	242	71
25	231	
30	217	107
35	202	
40	185	127
45	166	
50	147	129
55	127	
60	106	86
65	85	
70	64	86
75	44	
80	22	49
85	2	
90	0	10

Single unit data

Height to lighted plane	Initial center beam foot-candles	Beam diameter (ft)*
5'	11	6.2'
6'	7	7.4'
7'	5	8.7'
8'	4	9.9'
9'	3	11.2'

* Beam diameter is where foot-candles drop to 50% of maximum.

Multiple unit data - RCR 2

Spacing on center	Initial center beam foot-candles	Watts per sq. ft.
5'	29.0	0.47
6'	19.0	0.31
7'	14.0	0.22
8'	11.0	0.18
9'	9.0	0.15

38' x 38' x 10' Room, Workplane 2.5' above floor, 80/50/20% Reflectances

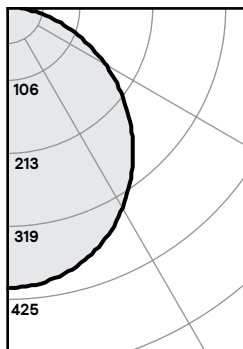
Efficacy: 68.2 lm/w
 Report²: STD211251NB-A

Coefficients of utilization

Ceiling	80%				70%		50%		30%		0%	
	70	50	30	10	50	10	50	10	50	10	0	
Wall	70	50	30	10	50	10	50	10	50	10	0	
RCR	Zonal cavity method - Effective floor reflectance = 20%											
Room Cavity Ratio	0	119	119	119	119	116	116	111	111	106	106	100
	1	109	104	100	96	102	95	98	92	94	89	84
	2	99	91	84	79	89	78	86	76	82	74	70
	3	90	80	72	65	78	65	75	64	73	63	59
	4	83	71	62	56	70	55	67	54	65	54	51
	5	76	63	54	48	62	48	60	47	58	47	44
	6	70	57	48	42	56	42	54	41	53	41	38
	7	65	52	43	37	51	37	49	37	48	36	34
	8	61	47	39	33	47	33	45	33	44	33	30
	9	57	43	35	30	43	30	42	29	41	29	27
	10	53	40	32	27	40	27	39	27	38	27	25

SD7RSLMZ10SCTUW • 7" Round, Field Selectable lumens, Field Selectable CCT, 0-10V dimming, Universal Voltage, White Finish

Candela Curve



Fixture: SD7RSLMZ10SCTUW

Output lumens: 1098 lms
 Input watts: 14.6 W
 CRI: 90 (min)
 CCT¹: 2700K
 Beam Angle: 106°
 Spacing Criterion: 1.24

Zonal summary

Zone	Lumens	%Luminaire
0-30	313	28.5%
0-40	507	46.2%
0-60	876	79.8%
0-90	1098	100.0%

Angle	Mean CP	Lumens
0	409	
5	406	
10	400	39
15	390	
20	375	110
25	357	
30	335	164
35	311	
40	284	194
45	255	
50	224	196
55	193	
60	161	173
65	130	
70	99	129
75	69	
80	42	74
85	17	
90	0	20

Single unit data

Height to lighted plane	Initial center beam foot-candles	Beam diameter (ft)*
5'	16	6.2'
6'	11	7.4'
7'	8	8.7'
8'	6	9.9'
9'	5	11.2'

* Beam diameter is where foot-candles drop to 50% of maximum.

Multiple unit data - RCR 2

Spacing on center	Initial center beam foot-candles	Watts per sq. ft.
5'	44.0	0.65
6'	29.0	0.42
7'	21.0	0.30
8'	17.0	0.25
9'	14.0	0.20

38' x 38' x 10' Room, Workplane 2.5' above floor, 80/50/20% Reflectances

Efficacy: 75.2 lm/w
 Report²: STD211251NB-B

Coefficients of utilization

Ceiling	80%				70%		50%		30%		0%	
	70	50	30	10	50	10	50	10	50	10	0	
Wall	70	50	30	10	50	10	50	10	50	10	0	
RCR	Zonal cavity method - Effective floor reflectance = 20%											
Room Cavity Ratio	0	119	119	119	119	116	116	111	111	106	106	100
	1	109	104	100	96	102	95	98	92	94	89	84
	2	99	91	84	78	89	78	85	76	82	74	70
	3	90	80	72	65	78	65	75	64	73	63	59
	4	83	71	62	56	70	55	67	54	65	54	51
	5	76	63	54	48	62	48	60	47	58	47	44
	6	70	57	48	42	56	42	54	41	53	41	39
	7	65	52	43	37	51	37	50	37	48	36	34
	8	61	47	39	33	47	33	45	33	44	33	31
	9	57	44	35	30	43	30	42	30	41	29	27
	10	53	40	32	27	40	27	39	27	38	27	25

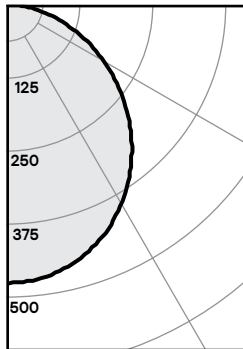
1. Correlated Color Temperature: within specs as defined in ANSI_NEMA_ANSI C78.377-2008: Specifications for the Chromaticity of Solid State Lighting Products.
 2. Tested using absolute photometry as specified in LM79: IESNA Approved Method for the Electrical and Photometric Measurements of Solid-State Lighting Products.

SD Surface Mount Downlight dual select

5", 7", 9", 11" and 14" Round

SD9RSLMZ10SCTUW • 9" Round, Field Selectable lumens, Field Selectable CCT, 0-10V dimming, Universal Voltage, White Finish

Candela Curve



Fixture: SD9RSLMZ10SCTUW

Output lumens: 1285 lms
 Input watts: 15.3 W
 CRI: 90 (min)
 CCT¹: 2700K
 Beam Angle: 106°
 Spacing Criterion: 1.24

Zonal summary

Zone	Lumens	%Luminaire
0-30	365	28.4%
0-40	592	46.1%
0-60	1024	79.7%
0-90	1285	100.0%

Angle	Mean CP	Lumens
0	477	
5	475	
10	467	45
15	455	
20	438	128
25	416	
30	390	192
35	361	
40	329	227
45	295	
50	260	230
55	223	
60	186	202
65	150	
70	114	150
75	80	
80	48	86
85	20	
90	0	24

Single unit data

Height to lighted plane	Initial center beam foot-candles	Beam diameter (ft)*
5'	19	6.2'
6'	13	7.4'
7'	10	8.7'
8'	7	9.9'
9'	6	11.2'

* Beam diameter is where foot-candles drop to 50% of maximum.

Multiple unit data - RCR 2

Spacing on center	Initial center beam foot-candles	Watts per sq. ft.
5'	52.0	0.68
6'	34.0	0.45
7'	24.0	0.32
8'	20.0	0.26
9'	16.0	0.21

38' x 38' x 10' Room, Workplane 2.5' above floor, 80/50/20% Reflectances

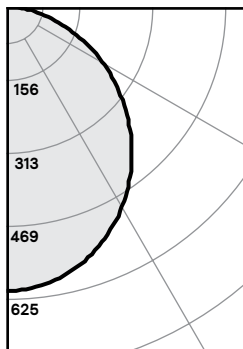
Efficacy: 84.0lm/w
 Report²: STD211251NB-C

Coefficients of utilization

Ceiling	80%				70%		50%		30%		0%	
	70	50	30	10	50	10	50	10	50	10	0	
Wall	70	50	30	10	50	10	50	10	50	10	0	
RCR	Zonal cavity method - Effective floor reflectance = 20%											
Room Cavity Ratio	0	119	119	119	119	116	116	111	111	106	106	100
	1	109	104	100	96	102	94	98	91	94	89	84
	2	99	91	84	78	89	77	85	76	82	74	70
	3	90	80	72	65	78	65	75	64	73	62	59
	4	83	71	62	55	70	55	67	54	65	54	51
	5	76	63	54	48	62	48	60	47	58	47	44
	6	70	57	48	42	56	42	54	41	53	41	39
	7	65	52	43	37	51	37	50	37	48	36	34
	8	61	47	39	33	47	33	45	33	44	33	30
	9	57	44	35	30	43	30	42	30	41	29	27
	10	53	40	32	27	40	27	39	27	38	27	25

SD11RSLMZ10SCTUW • 11" Round, Field Selectable lumens, Field Selectable CCT, 0-10V dimming, Universal Voltage, White Finish

Candela Curve



Fixture: SD11RSLMZ10SCTUW

Output lumens: 1637 lms
 Input watts: 19.4 W
 CRI: 90 (min)
 CCT¹: 2700K
 Beam Angle: 106°
 Spacing Criterion: 1.24

Zonal summary

Zone	Lumens	%Luminaire
0-30	464	28.3%
0-40	753	46.0%
0-60	1302	79.5%
0-90	1637	100.0%

Angle	Mean CP	Lumens
0	607	
5	604	
10	594	57
15	578	
20	557	163
25	530	
30	497	244
35	461	
40	420	289
45	377	
50	332	292
55	286	
60	239	257
65	192	
70	147	192
75	103	
80	63	110
85	26	
90	2	31

Single unit data

Height to lighted plane	Initial center beam foot-candles	Beam diameter (ft)*
5'	24	6.2'
6'	17	7.4'
7'	12	8.7'
8'	9	9.9'
9'	7	11.2'

* Beam diameter is where foot-candles drop to 50% of maximum.

Multiple unit data - RCR 2

Spacing on center	Initial center beam foot-candles	Watts per sq. ft.
5'	43.0	0.56
6'	31.0	0.40
7'	26.0	0.34
8'	21.0	0.27
9'	16.0	0.21

38' x 38' x 10' Room, Workplane 2.5' above floor, 80/50/20% Reflectances

Efficacy: 84.4lm/w
 Report²: STD211251NB-D

Coefficients of utilization

Ceiling	80%				70%		50%		30%		0%	
	70	50	30	10	50	10	50	10	50	10	0	
Wall	70	50	30	10	50	10	50	10	50	10	0	
RCR	Zonal cavity method - Effective floor reflectance = 20%											
Room Cavity Ratio	0	119	119	119	119	116	116	111	111	106	106	100
	1	109	104	100	96	102	94	98	91	94	89	84
	2	99	91	84	78	89	77	85	76	82	74	70
	3	90	80	72	65	78	65	75	64	73	62	59
	4	83	71	62	55	70	55	67	54	65	54	51
	5	76	63	54	48	62	48	60	47	58	47	44
	6	70	57	48	42	56	42	54	41	53	41	38
	7	65	52	43	37	51	37	49	37	48	36	34
	8	61	47	39	33	47	33	45	33	44	33	30
	9	57	44	35	30	43	30	42	30	41	29	27
	10	53	40	32	27	40	27	39	27	38	27	25

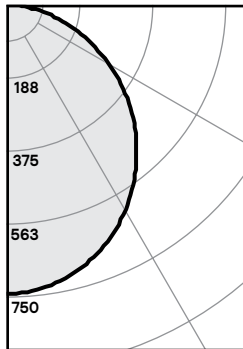
1. Correlated Color Temperature: within specs as defined in ANSI_NEMA_ANSI C78.377-2008: Specifications for the Chromaticity of Solid State Lighting Products.
 2. Tested using absolute photometry as specified in LM79: IESNA Approved Method for the Electrical and Photometric Measurements of Solid-State Lighting Products.

SD Surface Mount Downlight dual select

5", 7", 9", 11" and 14" Round

SD14RSLMZ10SCTUW • 14" Round, Field Selectable lumens, Field Selectable CCT, 0-10V dimming, Universal Voltage, White Finish

Candela Curve



Fixture: **SD14RSLMZ10SCTUW**

Output lumens: 2022 lms
 Input watts: 24.1W
 CRI: 90 (min)
 CCT¹: 2700K
 Beam Angle: 108°
 Spacing Criterion: 1.24

Zonal summary

Zone	Lumens	%Luminaire
0-30	567	28.0%
0-40	922	45.6%
0-60	1607	79.5%
0-90	2022	100.0%

Angle	Mean CP	Lumens
0	739	
5	734	
10	723	70
15	702	
20	677	199
25	644	
30	606	298
35	563	
40	516	355
45	465	
50	412	363
55	355	
60	298	322
65	240	
70	182	241
75	126	
80	75	137
85	31	
90	3	37

Single unit data

Height to lighted plane	Initial center beam foot-candles	Beam diameter (ft)*
5'	30	6.2'
6'	21	7.4'
7'	15	8.7'
8'	12	9.9'
9'	9	11.2'

* Beam diameter is where foot-candles drop to 50% of maximum.

Multiple unit data - RCR 2

Spacing on center	Initial center beam foot-candles	Watts per sq. ft.
6'	53.0	0.70
7'	38.0	0.50
8'	32.0	0.42
9'	25.0	0.33
10'	20.0	0.27

38' x 38' x 10' Room, Workplane 2.5' above floor, 80/50/20% Reflectances

Efficacy: 83.9 lm/w
 Report²: STD211251NB-E

Coefficients of utilization

Ceiling	80%				70%		50%		30%		0%	
Wall	70	50	30	10	50	10	50	10	50	10	0	
RCR	Zonal cavity method - Effective floor reflectance = 20%											
Room Cavity Ratio	0	119	119	119	119	116	116	111	111	106	106	100
1	109	104	100	96	102	94	98	91	94	89	84	84
2	99	91	84	78	89	77	85	76	82	74	70	70
3	90	80	72	65	78	65	75	63	72	62	59	59
4	83	71	62	55	69	55	67	54	65	53	50	50
5	76	63	54	48	62	47	60	47	58	46	44	44
6	70	57	48	42	56	41	54	41	52	41	38	38
7	65	52	43	37	51	37	49	36	48	36	34	34
8	61	47	39	33	46	33	45	33	44	32	30	30
9	57	43	35	30	43	29	42	29	40	29	27	27
10	53	40	32	27	39	27	38	27	38	27	25	25

1. Correlated Color Temperature: within specs as defined in ANSI_NEMA_ANSI C78.377-2008: Specifications for the Chromaticity of Solid State Lighting Products.
 2. Tested using absolute photometry as specified in LM79: IESNA Approved Method for the Electrical and Photometric Measurements of Solid-State Lighting Products.

