



NVENT CADDY ROD LOCK PLYWOOD FORM PRESET ANCHOR, 3/8" ROD

CATALOG NUMBER

CRLW37EG



CERTIFICATIONS



FEATURES

Eliminate overhead drilling into building structure – nVent CADDY Rod Lock Preset Anchors are cast in place

Nails hold the anchor in place during the pour and easily break off with a strike of a hammer once the plywood forms are removed

Easy "push-to-install" design allows installers to simply push the threaded rod through the mounting hole, instantly holding it in position

Works with slightly damaged threads and minor burrs on the threaded rod

Prefabricated assemblies easily lift and lock into place, helping to save time and money

Plastic flange acts as insert locator when the forms are removed

Rated for cracked concrete per ICC-ES AC446 according to ICC-ES ESR-3864 evaluation report

Suitable for seismic bracing according to ICC-ES ESR-3864 evaluation report

PRODUCT ATTRIBUTES

Material: Steel

Finish: Electrogalvanized

Rod Size: 3/8"

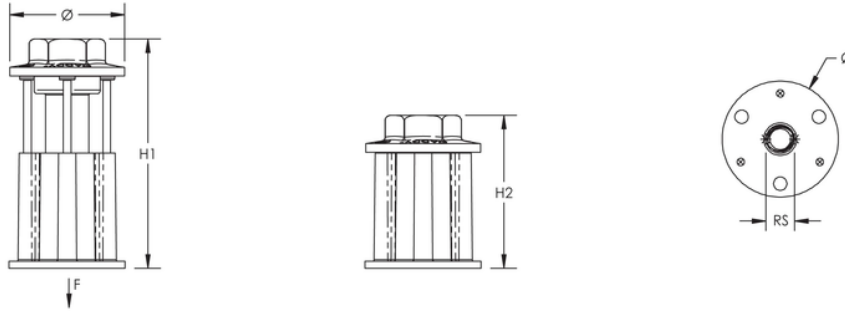
Diameter: 1.650"

Height 1: 3.200"

Height 2: 2.400"

Static Load: 1,407 lb

DIAGRAMS



WARNING

nVent products shall be installed and used only as indicated in nVent's product instruction sheets and training materials. Instruction sheets are available at www.nvent.com and from your nVent customer service representative. Improper installation, misuse, misapplication or other failure to completely follow nVent's instructions and warnings may cause product malfunction, property damage, serious bodily injury and death and/or void your warranty.

North America

+1.800.753.9221

Option 1 – Customer Care

Option 2 – Technical Support

Europe

Netherlands:

+31 800-0200135

France:

+33 800 901 793

Europe

Germany:

800 1890272

Other Countries:

+31 13 5835404

APAC

Shanghai:

+ 86 21 2412 1618/19

Sydney:

+61 2 9751 8500



Our powerful portfolio of brands:
nVent.com **CADDY ERICO HOFFMAN RAYCHEM SCHROFF**
TRACER