



MULTI-FUNCTION CLIP, 1/4" ROD, #12-#8 WIRE, 1/8"-3/8" FLANGE, 1/4" HOLE

CATALOG NUMBER

4Z34



CERTIFICATIONS



FEATURES

Provides attachment of conduit and boxes

Supports #10-24 and 1/4-20 threaded bridle rings

Increased capability and application options by combining 4Z and 6Z products into one enhanced and efficient offering

Improved multi-function clip allows for optimized inventory while reducing job site scheduling risks associated with multiple SKUs

Instills more confidence installing conduit, MC/AC, and low voltage applications

PRODUCT ATTRIBUTES

Material: Spring Steel

Finish: nVent CADDY Armour

Rod Size: 1/4";5/16";3/8"

Wire Size: #12 - #8

Flange Thickness: 1/8" - 3/8"

Hole Size: 1/4"

Screw Included: No

Static Load 1: 25 lb

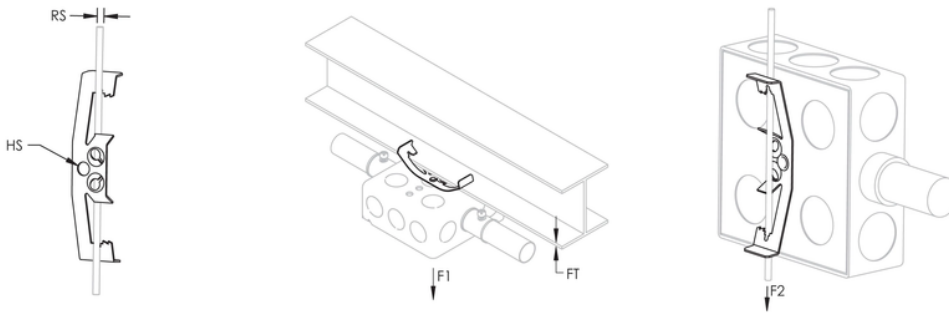
Static Load 2: 20 lb

ADDITIONAL PRODUCT DETAILS

NEC® 300.11 requires dedicated drop wire/rod and EC311.

6Z parts installed on 3/8" (M10) smooth rod in the F2 direction has a Static Load Rating of 15 lb (67 N).

DIAGRAMS



WARNING

nVent products shall be installed and used only as indicated in nVent's product instruction sheets and training materials. Instruction sheets are available at www.nvent.com and from your nVent customer service representative. Improper installation, misuse, misapplication or other failure to completely follow nVent's instructions and warnings may cause product malfunction, property damage, serious bodily injury and death and/or void your warranty.

North America

+1.800.753.9221

Option 1 – Customer Care

Option 2 – Technical Support

Europe

Netherlands:

+31 800-0200135

France:

+33 800 901 793

Europe

Germany:

800 1890272

Other Countries:

+31 13 5835404

APAC

Shanghai:

+ 86 21 2412 1618/19

Sydney:

+61 2 9751 8500



Our powerful portfolio of brands:
nVent.com **CADDY ERICO HOFFMAN RAYCHEM SCHROFF**
TRACER

© 2023 nVent. All nVent marks and logos are owned or licensed by nVent Services GmbH or its affiliates. All other trademarks are the property of their respective owners.

nVent reserves the right to change specifications without notice.