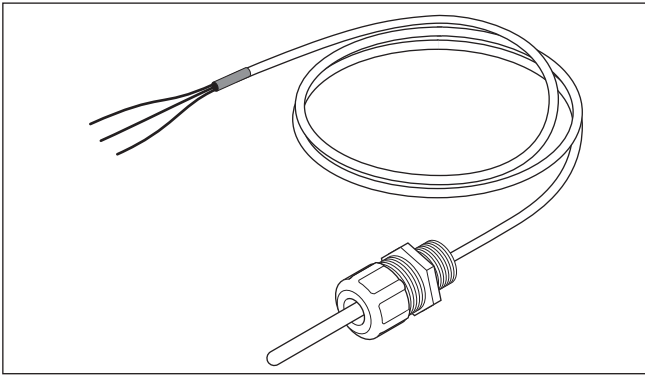




## RAYCHEM

# RTD-200

### RTD Temperature Sensor for Ambient Sensing Installation Instructions



#### DESCRIPTION

The nVent RAYCHEM RTD-200 is a three-wire platinum RTD (resistance-temperature-detector) typically used with electronic control systems that require accurate ambient temperature sensing. The RTD-200 comes with a 1/2" NPT fitting that installs to the appropriate conduit box. This allows mounting of the RTD in a typical ambient location. This also allows for splicing of RTD extension wire back to the controller.

#### TOOLS REQUIRED

None

#### ADDITIONAL MATERIALS REQUIRED

None

#### KIT CONTENTS

Qty	Description
-----	-------------

1	RTD temperature sensor with 1/2-in NPT fitting
---	--

#### SPECIFICATIONS

##### Sensor

Housing	316 stainless steel
Dimensions	3 in (7.6 mm) length 1/4 in (6 mm) diameter
Accuracy	±0.3°F (0.2°C)
Range	-100°F to 300°F (-73°C to 149°C)
Resistance	100 ohms +/- .25 ohm at 0°C X=0.00385 ohms/ohm/°C

##### Extension Wires

Wire size (each of 3)	22 AWG
Wire dielectric strength	600 volts
Length	6 ft (1.8 m)
Outer jacket	Fluoropolymer
Maximum exposure temperature	300°F (149°C)
Sensor fitting	1/2-in NPT with sealing washer and nut

##### Approvals

Approvals associated with control device, however not to be used in Div. 1 areas.

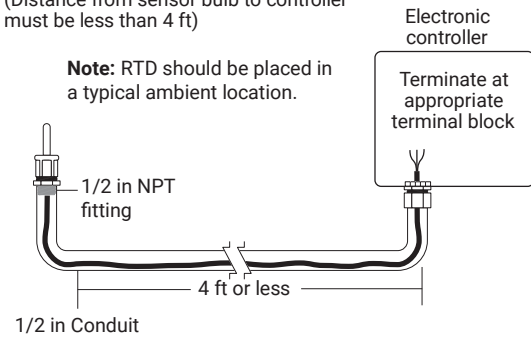
#### WARNING:

This component is an electrical device. It must be installed correctly to ensure proper operation and to prevent shock or fire. Read these important warnings and carefully follow all the installation instructions. Component approvals and performance are based on the use of specified parts only. Do not use substitute parts or vinyl electrical tape to make connections.

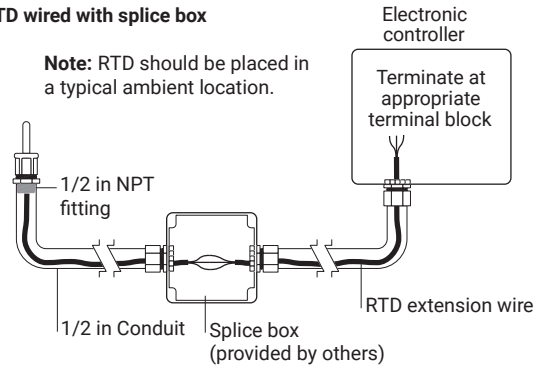
## INSTALLATION

The RTD-200 can be terminated directly at the controller using the supplied 1/2 in NPT fitting. In this configuration, no additional extension wire is required.

**RTD wired directly to controller**  
(Distance from sensor bulb to controller must be less than 4 ft)



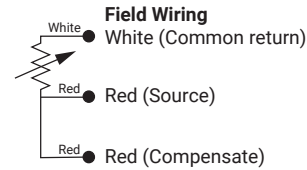
**RTD wired with splice box**



## RTD-200 WIRING

### Electrical Schematic of RTD

Connect the wires as shown.



### North America

Tel +1.800.545.6258  
Fax +1.800.527.5703  
thermal.info@nvent.com

### Europe, Middle East, Africa

Tel +32.16.213.511  
Fax +32.16.213.604  
thermal.info@nvent.com

### Asia Pacific

Tel +86.21.2412.1688  
Fax +86.21.5426.3167  
cn.thermal.info@nvent.com

### Latin America

Tel +1.713.868.4800  
Fax +1.713.868.2333  
thermal.info@nvent.com



nVent.com