

## FEATURES & SPECIFICATIONS

**INTENDED USE** — Provides a minimum of 90 minutes illumination for the rated wattage upon loss of AC power to meet and exceed code required emergency lighting. Ideal for applications requiring attractive LED unit equipment with quick installation and unparalleled performance for mounting heights from 7.5' to 30'. **Certain airborne contaminants can diminish the integrity of acrylic and/or polycarbonate.**  
[Click here for Acrylic-Polycarbonate Compatibility table for suitable uses.](#)

**CONSTRUCTION** — The housing is a standard white (black optional) thermoplastic with a compact and low-profile contemporary design. It is 5VA flame rated, impact-resistant, scratch-resistant and corrosion proof. The UV-stable resin resists discoloration from natural and man-made light sources. There is a low-profile, integrated and back-lit test switch with an easily visible multi-color LED status indicator. The back-plate contains a universal j-box mounting pattern to facilitate ease of installation on a wide variety of j-boxes and the front housing allows tool-less access for ease of maintenance.

The lamp heads have a unique track-and-swivel arrangement permitting full range of direction of optical aiming.

**OPTICS** — The ELM4L features two high-performance LEDs rated at 3.3 watts per lamp head and delivers a total of 640 lumens in a spot pattern (SP640L).

The ELM6L features three high-performance LEDs rated at 5.3 watts per lamp head and delivers a total of 1,100 lumens in a spot pattern (SP1100L).

The typical life of an LED is 10 years. The LED light sources typically never need to be replaced under normal conditions for normal off applications.

CCT: 5000K

**ELECTRICAL** — Orderable in multiple voltages (see ordering tree for specific voltages.)

Current-limiting charger maximizes battery life and minimizes energy consumption to provide low operating costs. Small battery chargers Certified in the CA Title 20 Appliance Efficiency Database.

Short-circuit protection — current-limiting charger circuitry protects printed circuit board from shorts.

Regulated charge voltage maintains a stable charge over a wide range of line voltages.

Prevents over/undercharging that shortens battery life and reduces capacity. Filtered charger input minimizes charge voltage ripple and extends battery life.

**BATTERY:** Sealed, maintenance-free nickel-cadmium (ELM4L only) or Lithium Iron Phosphate battery. Optional High-Output (HO option) and Extra High Output (EHO option), LTP battery type only, provides a wide variety of remote capacities and/or extended run-times.

Automatic 24-hour recharge after a 90-minute discharge.

Advanced electrical design provides constant light output throughout the entire discharge period.

Brownout protection is automatically switched to emergency mode when supply voltage drops below approximately 80 percent nominal of 120, 220, 277 or 347. Other input voltages may vary.

AC/LVD reset allows battery connection before AC power is applied and prevents battery damage from deep discharge.

**Self-Diagnostics:** Continuously monitors AC functionality. Test switch and remote tester (RTKIT accessory) provide manual activation of 30-second diagnostic testing for on-demand visual inspection. Standard derangement monitoring will indicate disconnected battery, charger failure and displays green flashing indicator light while in emergency mode. Single multi-chromatic LED indicator to display two-state charging, test activation and three-state self-diagnostics.

### SELF-DIAGNOSTICS and REMOTE TEST (SDRT and AELR option):

Self-diagnostic testing: Five minutes every 30 days and 90 minutes annually. Diagnostic evaluation of lamps, AC to DC transfer, battery charging and condition of microprocessor. Automatic test is easily postponed for eight hours by activating manual test switch or use of remote tester (RTKIT accessory).

**AELR option:** STAR (Self-testing Automated Reporting) radio transmits monthly and annual test results and diagnostics information for automated reporting requirements.

For more information visit [AcuityBrands.com/STAR](http://AcuityBrands.com/STAR)

**INSTALLATION** — Wall and ceiling mount standard. Blind-mate connector ensures easy installation and safe maintenance. 7/8" entrance provision at top of unit for standard 1/2" conduit entry. Tool-less removal of front cover from back-plate for ease of installation and maintenance.

**LISTINGS** — UL damp location listed standard and wet location listed when used with the WPVS accessory, all at 50-104°F (10-40°C). Meets or exceeds all applicable requirements for UL 924, NFPA 101 (current Life Safety code), NFPA 70 (NEC), NOM (Norma Oficial Mexicana), California Energy Commission Title 20 section 1605.3 (W)(4), FCC Title 47, Part 15, Subpart B and OSHA. List and labeled to comply with Canadian Standards C22.2 No. 141-10.

**BUY AMERICAN ACT** — Product with the BAA option is assembled in the USA and meets the Buy America(n) government procurement requirements under FAR, DFARS and DOT regulations. Please refer to [www.acuitybrands.com/buy-american](http://www.acuitybrands.com/buy-american) for additional information.

**WARRANTY** — 5-year limited warranty. This is the only warranty provided and no other statements in this specification sheet create any warranty of any kind. All other express and implied warranties are disclaimed. Complete warranty terms located at: [www.acuitybrands.com/support/warranty/terms-and-conditions](http://www.acuitybrands.com/support/warranty/terms-and-conditions)

**NOTE:** Actual performance may differ as a result of end-user environment and application.

All values are design or typical values, measured under laboratory conditions at 25 °C.

Specifications subject to change without notice.

† Small Battery Chargers Certified in the CA Title 20 Appliance Efficiency Database.

Catalog Number
Notes
Type



### Contemporary Commercial LED Emergency Light



**ELM4L**  
640 Lumens

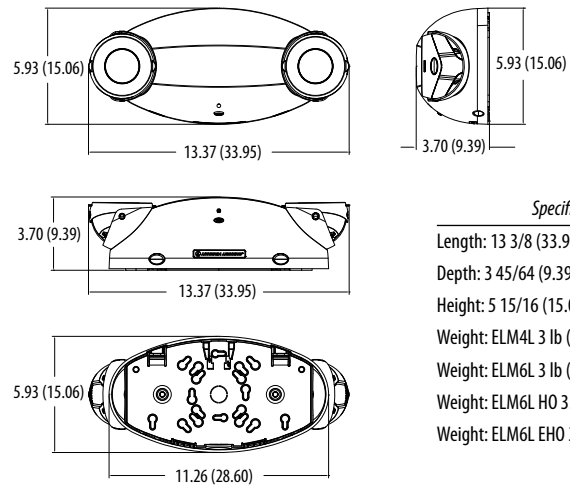
**ELM6L**  
1100 Lumens

**LITHIUM IRON PHOSPHATE  
NICKEL CADMIUM**



## MOUNTING

All dimensions are inches (centimeters) unless otherwise indicated.



### Specifications

Length:	13 3/8 (33.95)
Depth:	3 45/64 (9.39)
Height:	5 15/16 (15.06)
Weight: ELM4L	3 lb (1.4kg)
Weight: ELM6L	3 lb (1.4kg)
Weight: ELM6L HO	3.5 lbs (1.59 kg)
Weight: ELM6L EHO	3.75 lbs (1.7 kg)



# ELM4L-ELM6L Quantum® LED Contemporary Commercial Emergency Light



Looking for Contractor Select readily available configurations? Click here to visit Contractor Select™ spec sheet or go to [www.contractorselect.com](http://www.contractorselect.com)

## NICKEL CADMIUM BATTERY MODELS

### ORDERING INFORMATION

For shortest lead times, configure product using **bolded options**.

**Example:** ELM4L

Series	Lamp Type	Housing Color	Voltage	Battery Type	Automatic Testing	Options
<b>ELM4L</b> <sup>1</sup> 640 lumens, adjustable optics	<b>(blank)</b> SP640L 640 lumen, 6.6 watt, Spot Pattern, two lamp	<b>(blank)</b> White B Black	<b>(blank)</b> 120-277 VAC, 50/60Hz <b>UVOLT</b> 120 - 347 VAC, 50/60Hz	<b>(blank)</b> Nicad	<b>(blank)</b> None	<b>(blank)</b> none WPVS Wet protective vandal shield <sup>2</sup> BAA Buy America(n) Act Compliant PM Pendant Mount <sup>3</sup>

### Notes

- Does not support remote loads.
- Must be ordered when using for wet location applications.. WPVS breaks out and ships separately and color will match (ex: WPVS LRG B). Decreases delivered lumens up to 20%. See spec sheet [WPVS](#) for more information.
- Pendant mount option will include a 12" long 3/8-16 UNC threaded rod and hardware. Not available with any other lengths.

## LITHIUM IRON PHOSPHATE BATTERY MODELS

### ORDERING INFORMATION

For shortest lead times, configure product using **bolded options**.

**Example:** ELM6L UVOLT LTP SDRT

Series <sup>1</sup>	Lamp Type	Housing Color	Voltage	Battery Type	Automatic Testing	Options
<b>ELM4L</b> 640 lumens, adjustable optics	<b>(blank)</b> SP640L 640 lumen, 6.6 watt, Spot Pattern, two lamp	<b>(blank)</b> White B Black	<b>UVOLT</b> 120 - 347 VAC, 50/60Hz	<b>LTP</b> Lithium Iron Phosphate	<b>(blank)</b> none <sup>2</sup> SDRT Self-diagnostics, remote test AELR Automated Emergency Lighting Reporting <sup>3</sup>	LLH Less lamp heads <sup>4</sup> HO High-output battery EHO Extra High-output battery WPVS Wet protective vandal shield <sup>5</sup> BAA Buy America(n) Act Compliant PM Pendant mount <sup>6</sup>
<b>ELM6L</b> 1100 lumens, adjustable optics	<b>(blank)</b> SP1100L 1100 lumen, 10.6 watt, Spot Pattern, two lamp					

### Notes

- Extended run-time or remote capacity is standard. New ELMRE and ELMRW style remotes are compatible with both SDRT and non-SDRT versions (see page 4).
- Only available with ELM4L.
- SDRT option required. AELR radio transmits monthly and annual test results and diagnostics information for automated reporting requirements. Only available with LTP battery type. Not available with BAA option.
- ELM4L with LLH (less lamp heads) not available with SDRT. ELM6L with LLH only available with SDRT.
- Must be ordered when using for wet location applications. WPVS breaks out and ships separately and color will match (ex: WPVS LRG B). Decreases delivered lumens up to 20%. See spec sheet [WPVS](#) for more information.
- Pendant mount option will include a 12" long 3/8-16 UNC threaded rod and hardware. Not available with any other lengths.

### Other Accessories: Order as separate catalog number.

WPVS LRG W	Wet protective vandal shield, white (must be used for wet location applications)
WPVS LRG B	Wet protective vandal shield, black (must be used for wet location applications)
ELA WG1	Wireguard, 13 3/4"H x 15 1/4"W x 6"D (see spec sheet <a href="#">ELA-WG</a> ).
RTKIT	Remote test kit, up to 40' away (includes goggles, laser and battery)



ELM4L-ELM6L mounted inside the WPVS

# ELM4L-ELM6L Quantum® LED Contemporary Commercial Emergency Light

## SPACING GUIDELINES

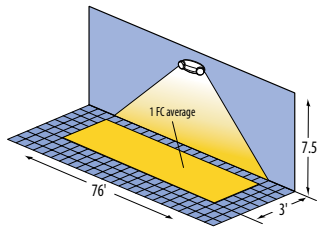
\*Note: To see complete photometric report or download the .ies file for this product, visit Lithonia Lighting ELM4L and ELM6L home page.

Maximum Spacing Guidelines — ELM4L <sup>1</sup>						
Mounting Height	Illumination Level	Single Luminaire		Multiple Luminaire		Application Notes
		3' Path of Egress	6' Path of Egress	3' Path of Egress	6' Path of Egress	
7.5'	1FC Avg <sup>1</sup>	62'	58'	67'	60'	100' Corridor, 8' wide, and 12' high with 80/50/20 reflectances
10'	1FC Avg <sup>1</sup>	62'	58'	67'	60'	
7.5'	1FC Avg <sup>1</sup>	52'	40'	66'	58'	Retail open area: 200' X 15' X 30' with 80/50/20 reflectances
10'	1FC Avg <sup>1</sup>	52'	48'	64'	60'	
12'	1FC Avg <sup>1</sup>	52'	48'	62'	59'	
16'	1FC Avg <sup>1</sup>	52'	44'	61'	58'	
20'	1FC Avg <sup>1</sup>	44'	42'	60'	58'	
24'	1FC Avg <sup>1</sup>	34'	34'	42'	58'	

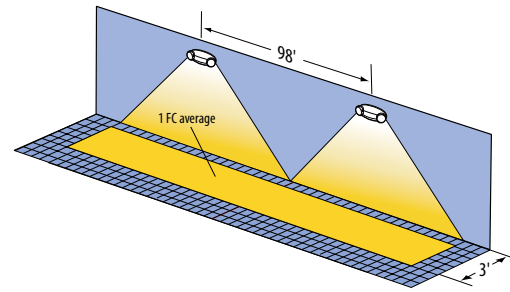
Maximum Spacing Guidelines — ELM6L <sup>1</sup>						
Mounting Height	Illumination Level	Single Luminaire		Multiple Luminaire		Application Notes
		3' Path of Egress	6' Path of Egress	3' Path of Egress	6' Path of Egress	
7.5'	1FC Avg <sup>1</sup>	76'	74'	98'	90'	100' Corridor, 8' wide, and 12' high with 80/50/20 reflectances
10'	1FC Avg <sup>1</sup>	76'	74'	98'	88'	
7.5'	1FC Avg <sup>1</sup>	60'	48'	77'	68'	Retail open area: 200' X 15' X 30' with 80/50/20 reflectances
10'	1FC Avg <sup>1</sup>	78'	56'	85'	82'	
12'	1FC Avg <sup>1</sup>	68'	66'	77'	74'	
16'	1FC Avg <sup>1</sup>	72'	68'	72'	74'	
20'	1FC Avg <sup>1</sup>	66'	64'	70'	68'	
24'	1FC Avg <sup>1</sup>	66'	56'	65'	62'	

### Notes:

- Also meets the additional illumination requirements of NFPA 101: 1FC minimum and max/min ration of 40:1.



Example of single ELM6L illuminating a 3' path of egress



Example of multiple ELM6L units illuminating a 3' path of egress