

Project: _____ Type: _____

Drawn by: _____ Catalogue #: _____ Date: _____

Individual Spec Sheet

T3-R7S

DIMMABLE AND HIGH LUMENS

ORDERING INFORMATION

Order code: 69190
Model number: R7S/S2/6W/30K/78/STD
UPC: 069549025295
Case quantity: 200

PHYSICAL DATA

Shape: T3
Base: R7S
Length in. (mm): 3 1/8 (78)

PERFORMANCE DATA

Watts (W): 6
Volts (V AC): 120
Color temperature (K)¹: 3 000
Lumen output (lm)²: 550
CRI: 80+
Life L70 (h)³: 15 000
Dimming: Yes
Beam angle (°): 360
Power factor: 0.90
Frequency (Hz): 60
Operating temp. range: -20°C to 45°C (-4°F to 113°F)

¹ Typical color temperature range: +/- 5 %.

² Lumen values are derived from photometric testing. Initial lumens range: +/- 10 %.

³ Life hours are derived from IESNA LM80-08 testing report and projected per IESNA TM-21-11 extrapolations.

COMPATIBLE DIMMERS¹

Brand	Model
LUTRON	DVCL-153P, CTCL-153P, DVCL-253P, AYCL-253P, DVRP-253-WH, SELV-300P, MACL-153P
COOPER	RRD-6NA-WH, AAL06, SAL06P3
LEVITON	066EV, IPL06, 6674, IPE04-1LZ
LEGRAND	RH703PTUTC

DIMMING RANGE: 10% - 100%

¹ This table shows dimmers that have been tested and have demonstrated proper operation under normal conditions. Each installation being unique, various factors such as load, common neutrals or other electrical products on the circuit can, in certain instances, cause variance in system performance. Read and comply to the dimmer installation instructions. Consult dimming system manufacturer for additional support in operation. Some dimmers may require more than one product for stable operation. Stanpro recommends to use dimmers designed to work with LED products. Older dimmers designed for incandescent products may cause erratic operation.



2 yrs
warranty

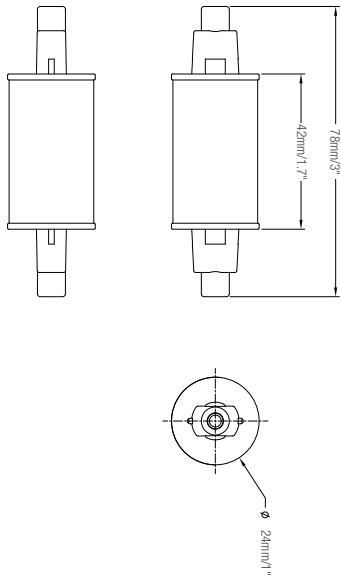
6
damp
location

RdHS

FC

UL
LISTED

DIMENSIONS



Qty	Description	Price

I accept the specifications of the luminaire configuration mentioned above.

Name: _____

Company: _____

Signature: _____

Date: _____

Data is based upon tests performed in a controlled environment. Actual performance can vary depending on operating conditions. All products are subject to change or may be discontinued any time without notice. Please contact your Stanpro customer service representative to confirm inventory levels at time of order.