

Project: \_\_\_\_\_ Type: \_\_\_\_\_

Drawn by: \_\_\_\_\_ Catalogue #: \_\_\_\_\_ Date: \_\_\_\_\_

## Individual Spec Sheet

# UNIVERSAL COMMERCIAL - CDU GEN 2

## ALL-IN-ONE DIMMABLE LED DOWNLIGHT 6" CCT and Power Selectable

### ORDERING INFORMATION

**Order code:** 69094  
**Model number:** CDU6R-G2-PS3Q/3CWH  
**UPC:** 069549024311  
**Case quantity:** 8

### PHYSICAL DATA

**Size in. (mm):** 7 1/2 x 4 5/8 (191 x 116)  
**Shape:** Round  
**Finish:** White  
**Lens Type:** Frosted polycarbonate  
**Mounting:** Recessed

### PERFORMANCE DATA

**Watts (W):** 12/16/20  
**Volts (V AC):** 120-347  
**Color temperature (K)<sup>1</sup>:** 3 000/3 500/4 000  
**Lumen output (lm)<sup>2</sup>:** 1 080/1 440/2 000  
**Efficacy (lm/W):** 90  
**CRI:** 80+  
**Life L70 (h)<sup>3</sup>:** 50 000  
**Beam angle (°):** 88  
**Environment:** Wet location  
**THD (%):** <20  
**Power factor:** >0.9  
**Frequency (Hz):** 60  
**Operating temp. range:** -30 °C to 40 °C (-22 F° to 104 °F)  
**Dimming:** 0-10V

<sup>1</sup> Typical color temperature range: +/- 5 %.

<sup>2</sup> Lumen values are derived from Energy Star reported data. Initial lumens range: +/- 10 %.

<sup>3</sup> Life hours are derived from IESNA LM80-08 testing report and projected per IESNA TM-21-11 extrapolations.

### LUMEN SPECIFICATION TABLE

Order code	Model number	Watts (W)	3 000 K		3 500 K		4 000 K	
			Lumen output (lm)	Efficacy (lm/W)	Lumen output (lm)	Efficacy (lm/W)	Lumen output (lm)	Efficacy (lm/W)
69094	CDU6R-G2-PS3Q/3CWH	12	1 384	115	1 470	123	1 471	123
		16	1 864	116	1 986	124	1 968	123
		20	2 252	113	2 414	121	2 373	119

### DEFAULT PROGRAMMING

20 W / 3 000 K

### COMPATIBLE ACCESSORIES

Order code	Model number	Type
66817 <sup>1,2</sup>	ACC/MPLATE/VELOCE6/HANG.BARS/STD	Mounting plate with hanger bars
68615	GOOF RING-6.75IN	Goof ring

<sup>1</sup> Includes brackets and screws.

<sup>2</sup> Junction box not included.



3 000/3 500/4 000 K



power selectable



warranty



quick ship



LED fixture



dimmable



wet location



IC rated



ICES 005



**COMPATIBLE DIMMERS<sup>2</sup>**

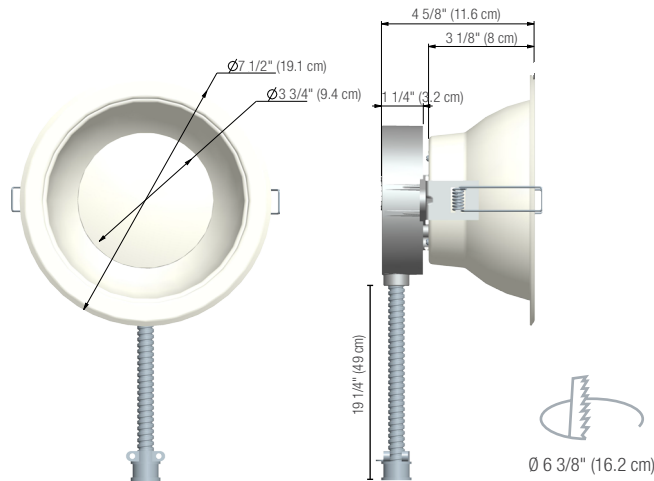
Brand	Model
<b>LEGRAND</b>	RH4FBL3PTC, WS4FBL3P
<b>LEVITON</b>	AWSMT-7DW <sup>1</sup> , DS-710
<b>LUTRON</b>	DVSTV, NTSTV-DV

Dimming range: 5%-100%

<sup>1</sup> Dimming range: 10%-100%

<sup>2</sup> This table shows dimmers that have been tested and have demonstrated proper operation under normal conditions. Each installation being unique, various factors such as load, common neutrals or other electrical products on the circuit can, in certain instances, cause variance in system performance. Read and comply to the dimmer installation instructions. Consult dimming system manufacturer for additional support in operation. Some dimmers may require more than one product for stable operation. Stanpro recommends to use dimmers designed to work with LED products. Older dimmers designed for incandescent products may cause erratic operation.

**DIMENSIONS AND WEIGHTS**

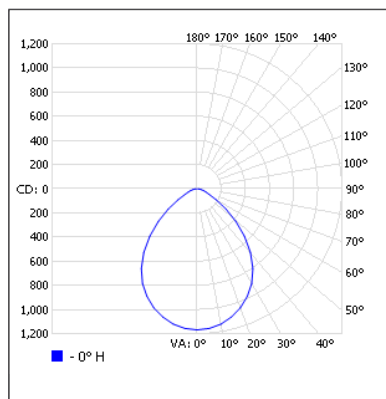


Net weight (lbs)	1.76
------------------	------

**PHOTOMETRIC DATA<sup>1</sup>**

**69094 • CDU6R-G2-PS3Q/3CWH • 20 W • 3 000 K • 2252.1 lm**

**Polar candela distribution**



**Zonal lumen summary**

Zone	Lumens	% Fixture
0-30	870.1	38.6 %
0-40	1 370.0	60.8 %
0-60	2 057.7	91.4 %
60-90	194.4	8.6 %
0-90	2 252.1	100 %

**Illuminance at a distance**

	Center beam fc	Beam width
1.7'	404	3.3'
3.3'	107	6.3'
5.0'	46.7	9.6'
6.7'	26.0	12.9'
8.3'	17.0	15.9'
10.0'	11.7	19.2'

■ Beam spread: 87.7°

<sup>1</sup> Complete IES files available on our website.

Qty	Description	Price

I accept the specifications of the luminaire configuration mentioned above.

Name: \_\_\_\_\_  
 Company: \_\_\_\_\_  
 Signature: \_\_\_\_\_

Date: \_\_\_\_\_

Data is based upon tests performed in a controlled environment. Actual performance can vary depending on operating conditions. All products are subject to change or may be discontinued any time without notice. Please contact your Stanpro customer service representative to confirm inventory levels at time of order.