

Series Spec Sheet

FLM

LED MINI FLOOD LIGHT 3 CCT AND 2 POWER SELECTABLE INTEGRATED PHOTOCELL¹

The FLM series is a family of highly efficient and affordable compact flood lights featuring the latest in LED technology by allowing the user to control the color temperature and power via field adjustable integrated switches. Typical applications include both commercial and residential environment: backyards, walkways as well as flood lighting of signs and building fronts.

FEATURES AND SPECIFICATIONS

• Construction

Physical Characteristics

- Diecast aluminum housing comes standard in a bronze powder coat finish.
- CCT and Power Select switches are placed discretely inside the housing
- ON/OFF integrated photocell applicable for 35/60W configuration only

Mounting

- The fixture comes with either a knuckle (1/2" NPT) or a yoke mounting

Lens

- Tempered glass lens
- Offered in a NEMA 7Hx6V

• Performance data

- Available in 3 000/4 000/5 000 K selectable color temperature
- 80+ CRI
- Electrical ratings: 120-277 V
- Estimated life of over 50 000 hours to L70
- 0-10 V dimming standard
- 2 kV surge protection
- Operating temperature: -40 °C to 50 °C (-40 °F to 122 °F)

• Compliances

- cULus listed for wet locations
- Meets requirements of ICES-005 issue 5 class B for use in residential applications
- IP65



power
selectable



quick
ship



LED
fixture



dimmable
fixture



wet
location



ICES
005



Not all products are qualified on the DLC QPL. To view our DLC qualified products, please consult the DLC Qualified Products List at www.designlights.org/search.

OVERVIEW

Light source	LED
Watts (W)	15/25 35/60
Lumen output (lm)	2 094-8 426
Efficacy (lm/W)	120-140
Color temperature (K)	3 000/4 000/5 000
CRI	80+

¹ Integrated photocell on certain configurations. Consult Quick ship and technical specification table for more details.

QUICK SHIP AND TECHNICAL SPECIFICATION TABLE

Order code	Model number	DLC unique ID	Watts (W)	Volts (VAC)	Color temp. (K) ¹	Lumen output (lm) ^{2,3}	Efficacy (lm/W)	CRI	Life L70 (hrs) ⁴	Tested hours LM-80 (hrs) ⁴	Calc. TM21 (hrs) ⁴	NEMA type	BUG	EPA (ft ²)	LED current (mA)	Finish	Photocell (Yes/No)	Power factor	THD (%)	Traditional equivalent (W)	Master case qty
																				MH	HPS

CCT and Power Selectable with Integrated Photocell⁵

69179	FLM-PS25A-W-3C-BR-YK	S-6H5L0K	15/25	120-277	3 000/4 000/5 000	2 244/3 736	120-140	80+	50 000	9000	140 000	7Hx6V	B3 U0 G1	0.18	0.23	Bronze	NO	≥0.90	≤20	70-100	100-150	10
69180	FLM-PS25A-W-3C-BR-KN	S-6H5L0K	15/25	120-277	3 000/4 000/5 000	2 244/3 736	120-140	80+	50 000	9000	140 000	7Hx6V	B3 U0 G1	0.18	0.23	Bronze	NO	≥0.90	≤20	70-100	100-150	10
69181	FLM-PS60A-W-3C-BR-YK-P ⁵	S-OY15H3	35/60	120-277	3 000/4 000/5 000	5 618/8 693	125-140	80+	50 000	9000	140 000	7Hx6V	B3 U0 G1	0.42	0.6	Bronze	YES	≥0.90	≤20	175-400	150-250	10
69182	FLM-PS60A-W-3C-BR-KN-P ⁵	S-OY15H3	35/60	120-277	3 000/4 000/5 000	5 618/8 693	125-140	80+	50 000	9000	140 000	7Hx6V	B3 U0 G1	0.42	0.6	Bronze	YES	≥0.90	≤20	175-400	150-250	10

¹ Typical color temperature range: +/- 5 %.

² Lumen values are derived from photometric testing. Initial lumens range: +/- 10 %.

³ Lumen values are based on 4 000 K default programming. Please refer to the LUMEN SPECIFICATION TABLE for more details on other color temperatures.

⁴ Life hours are derived from IESNA LM-80-08 testing report and projected per IESNA TM-21-11 extrapolations.

⁵ Integrated ON/OFF photocell that can be easily disabled.

LUMEN SPECIFICATION TABLE

Order code	Model number	Watts (W)	3 000 K			4 000 K			5 000 K		
			Lumen output (lm)	Efficacy (lm/W)	LED Current (mA)	Lumen output (lm)	Efficacy (lm/W)	LED Current (mA)	Lumen output (lm)	Efficacy (lm/W)	LED Current (mA)
69179	FLM-PS25A-W-3C-BR-YK	15	2 094	125	55	2 244	140	28	2 192	135	55
69180	FLM-PS25A-W-3C-BR-KN	25	3 195	120	90	3 736	140	45	3 666	130	90
69181	FLM-PS60A-W-3C-BR-YK-P	35	5 289	125	38	5 618	140	20	5 555	135	38
69182	FLM-PS60A-W-3C-BR-KN-P	60	7 983	125	64	8 693	140	32	8 426	135	64

DEFAULT PROGRAMMING

69179/69180: 25 W / 4 000 K

69181/69182: 60 W / 4 000 K

COMPATIBLE DIMMERS

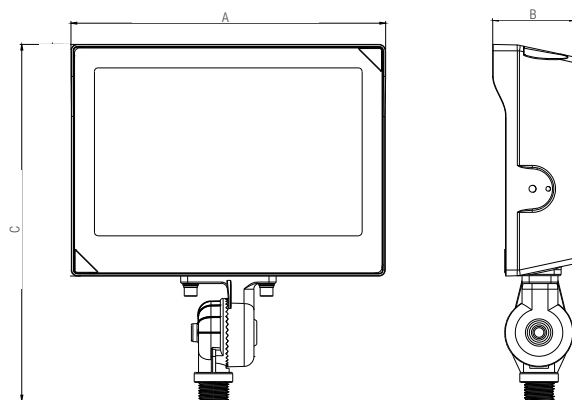
Brand	Model
Leviton	DS710, IP710
Legrand	RH4FBL3PW
Lutron	NFTV, NTSTV, DVTV

Dimming range: 10%-100%

NOTE: The above table shows dimmers that have been tested and have demonstrated proper operation under normal conditions. Each installation being unique, various factors such as load, common neutrals or other electrical products on the circuit can, in certain instances, cause variance in system performance. Read and comply to the dimmer installation instructions. Consult dimming system manufacturer for additional support in operation. Standard recommends to use dimmers designed to work with LED products. Older dimmers designed for incandescent products may cause erratic operation. Some dimmers may require more than one product for stable operation. The maximum number of products is determined by the dimmer wattage rating with LEDs. Be careful, these dimmers have different ratings depending on the product type. Again, refer to the dimmer installation instructions.

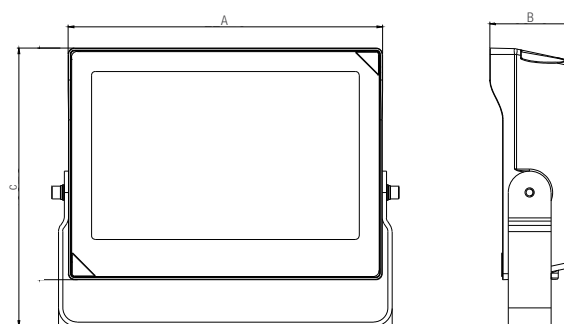
DIMENSIONS AND WEIGHTS

Knuckle Mount



	25W	60W
A	5.82"(14.8cm)	8.7"(22.1cm)
B	2"(5.1cm)	2.28"(5.8cm)
C	7.67"(19.5cm)	9.84"(25cm)
Net weight (lbs)	2.42	3.43

Yoke Mount

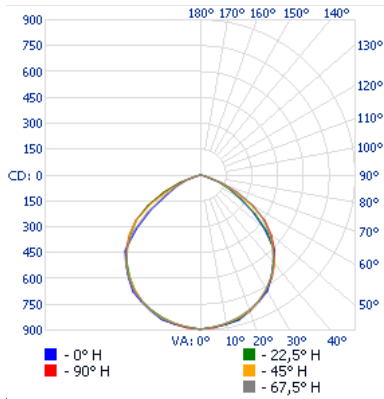


	25W	60W
A	6.18"(15.7cm)	9.21"(23.4cm)
B	2"(5.1cm)	2.28"(5.8cm)
C	5.27"(13.4cm)	7.67"(19.5cm)
Net weight (lbs)	2.11	3.77

PHOTOMETRIC DATA¹

69179_69180. FLM-PS25A-W-3C-BR-XX. 15W. 4000K. 2 244 lm

Polar candela distribution



Zonal lumen summary

Zone	Lumens	% Luminaire
0-30	697.6	31.1
0-40	1 184.1	51.2
0-60	1 982.0	88.3
60-90	262.0	11.7
70-100	60.3	2.7
90-120	0.3	0
0-90	2 244.0	100
90-180	0.3	0
0-180	2 244.3	100

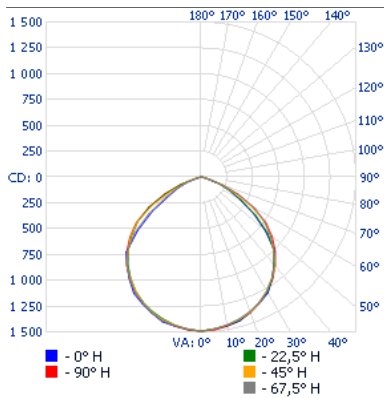
Illuminance at a distance

Center beam fc		Beam width	
17.0'	3.09	42.9'	49.5'
34.0'	0.77	85.8'	99.0'
51.0'	0.34	128.7'	148.5'
68.0'	0.19	171.6'	198.1'
85.0'	0.12	214.4'	247.6'
102.0'	0.19	257.3'	297.1'

■ Vert. spread : 103.2°
■ Horiz. spread : 111.0°

69179_69180. FLM-PS25A-W-3C-BR-XX. 25W. 4000K. 3 736 lm

Polar candela distribution



Zonal lumen summary

Zone	Lumens	% Luminaire
0-30	1 161.6	31.1
0-40	1 911.4	51.2
0-60	3 299.2	88.3
60-90	436.1	11.7
70-100	100.5	2.7
90-120	0.5	0
0-90	3 735.2	100
90-180	0.5	0
0-180	3 735.2	100

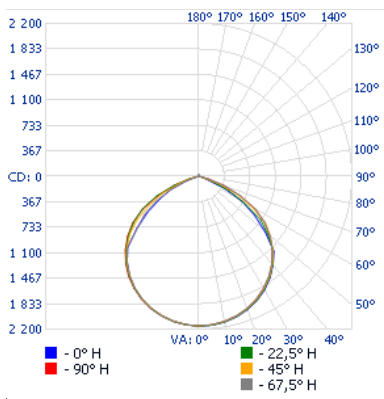
Illuminance at a distance

Center beam fc		Beam width	
17.0'	7.45	44.2'	51.8'
34.0'	7.86	88.4'	103.7'
51.0'	0.83	132.5'	155.5'
68.0'	0.47	176.7'	207.4'
85.0'	0.30	220.9'	259.2'
102.0'	0.21	265.1'	311.0'

■ Vert. spread : 104.8°
■ Horiz. spread : 113.5°

69181_69182. FLM-PS60A-W-3C-BR-XX. 35W. 4000K. 5 618 lm

Polar candela distribution



Zonal lumen summary

Zone	Lumens	% Luminaire
0-30	1 688.0	30
0-40	2 783.9	49.6
0-60	4 876.1	86.8
60-90	692.8	12.3
70-100	145.9	2.6
90-120	13.2	0.2
0-90	5 568.9	99.1
90-180	49.4	0.9
0-180	5 618.3	100

Illuminance at a distance

Center beam fc		Beam width	
17.0'	11.8	43.3'	49.9'
34.0'	2.96	86.6'	99.8'
51.0'	1.31	129.8'	149.7'
68.0'	0.74	173.1'	199.6'
85.0'	0.47	216.4'	249.5'
102.0'	0.33	259.7'	299.4'

■ Vert. spread : 103.7°
■ Horiz. spread : 111.5°

¹ Complete IES files available on our website.

Data is based upon tests performed in a controlled environment. Actual performance can vary depending on operating conditions. All products are subject to change or may be discontinued any time without notice. Please contact your Stanpro customer service representative to confirm inventory levels at time of order.