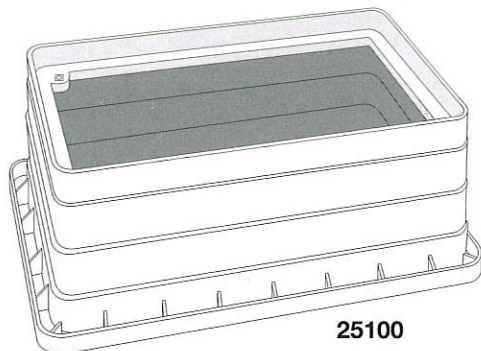
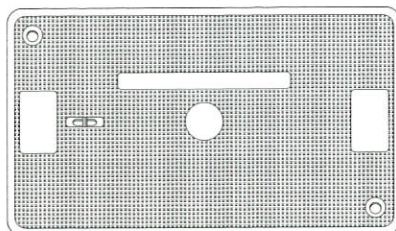


### Large Rectangular

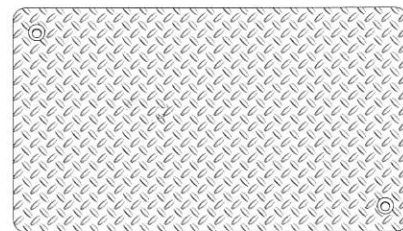
Cat #	Item	Top Dimensions	Bottom Dimensions	Height	Weight
		in (mm)	in (mm)	in (mm)	lbs (kg)
25100	Large Rect.	31.6 x 18.5 (802 x 470)	37 x 24 (940 x 610)	15 (381)	20.74 (9.4)
25500	Lid - Plastic*	29.5 x 17.7 (750 x 450)			11.5 (5.2)
25510	Lid - Steel	30.3 x 17.3 (770 x 440)			40.5 (18.4)



25100



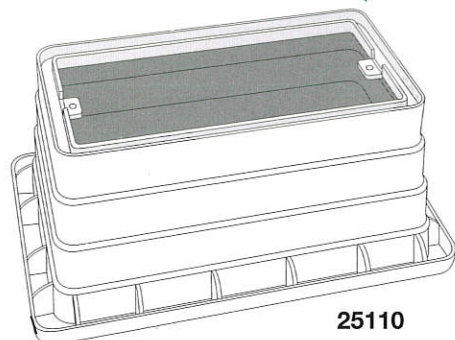
25500



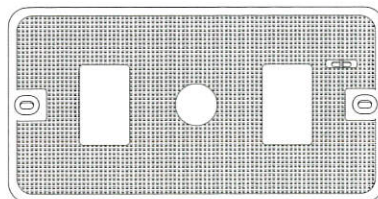
25510

### Medium Rectangular

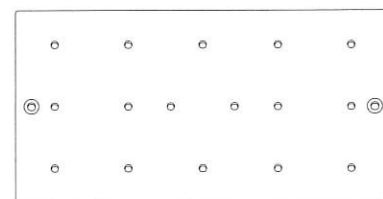
Cat #	Item	Top Dimensions	Bottom Dimensions	Height	Weight
		in (mm)	in (mm)	in (mm)	lbs (kg)
25110	Medium Rect.	26.6 x 14.6 (675 x 372)	34.45 x 22.6 (875 x 575)	15.16 (385)	21.5 (9.8)
25600	Lid - Plastic*	26.6 x 13.6 (675 x 345)			8 (2.7)
25610	Lid - Steel	26.3 x 13.8 (667 x 350)			23.25 (10.6)
25820	Drain Plate	26.6 x 13.6 (675 x 345)			3.25 (1.42)



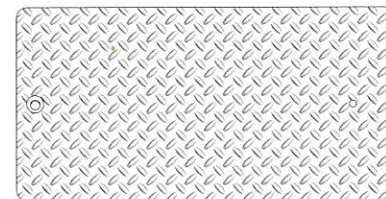
25110



25600



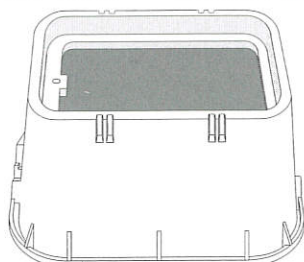
25820



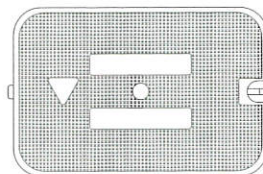
25610

### Small Rectangular

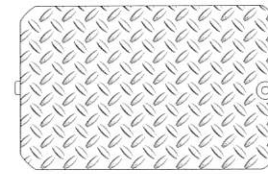
Cat #	Item	Top Dimensions	Bottom Dimensions	Height	Weight
		in (mm)	in (mm)	in (mm)	lbs (kg)
25120	Small Rect.	17 x 11.75 (432 x 298)	21.2 x 15.75 (538 x 400)	12 (305)	7.5 (3.4)
25700	Lid - Plastic*	15.3 x 10.1 (389 x 257)			2.5 (1.14)
25710	Lid - Steel	15.2 x 9.9 (387 x 252)			10.75 (4.9)



25120



25700

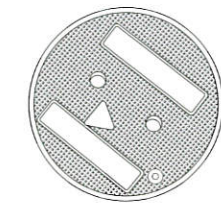
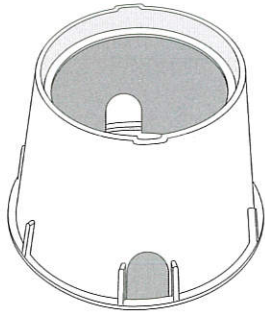


25710

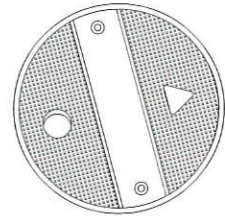
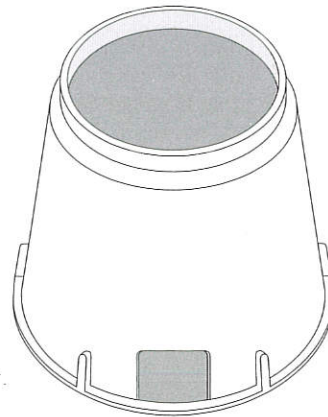


### Splice Pits

Cat #	Item	Top	Bottom	Height	Weight
		Dimensions	Dimensions		
		in (mm)	in (mm)	in (mm)	lbs (kg)
25200	Large	10.3 (262)	13.4 (340)	10 (254)	3.5 (1.6)
25210	Small	6.06 (154)	9.5 (240)	8.9 (226)	1.25 (0.6)



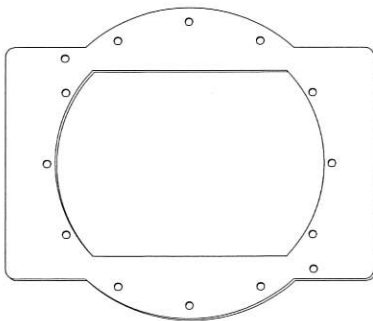
25210



25200

### Adapter Plate

Cat #	Item	Top	Weight
		Dimensions	
		in (mm)	lbs (kg)
25900	Plastic	34.25 x 21.3 (870 x 540)	7.5 (3.4)

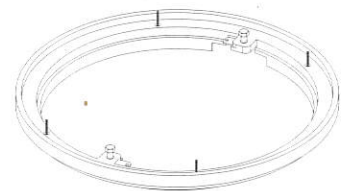


25900

### Riser Ring

Cat#	Item	Height	Outside	Inside
			Diameter	Diameter
			In (mm)	In (mm)
25300-RING	Plastic Riser Ring	2 (51)	21 (533)	17 3/4 (451)

The riser ring is for use on our large round junction box. It is used for those applications where the top of the junction box needs to be raised to be level with the grade. They are stackable and are simple to install by drilling screws through the lip of the ring into the existing box.



### Notes

#### \*Custom Marking

Customized marking on all plastic lids can be arranged. Please call for more information.

#### Warranty

Our warranty is restricted solely to the replacement and/or repair of the products under the following condition; All defects must be reported in writing within one year of purchase date (labour not included).

#### Western Sales

Valmont WCE  
7984 River Road  
Delta, BC V4G 1E3  
Tel: 604-946-1256  
Fax: 604-946-1203  
www.valmontwce.com

#### Eastern Sales

Valmont WCE  
100 Ellis Drive  
Barrie, ON L4N 9B2  
Tel: 800-645-1664  
Fax: 800-367-1449  
www.valmontwce.com