

Project: \_\_\_\_\_ Type: \_\_\_\_\_

Drawn by: \_\_\_\_\_ Catalogue #: \_\_\_\_\_ Date: \_\_\_\_\_

## Individual Spec Sheet

# IFO

## UNDER CANOPY AND GARAGE LIGHT

3 Power Selectable and 3 CCT Selectable,  
CONTROL-READY

### ORDERING INFORMATION

**Order code:** 69388  
**Model number:** IFO-PS70A-Q-3CBBRP  
**UPC:** 069549026971  
**Case quantity:** 4

### PHYSICAL DATA

**Lens material:** Frosted polycarbonate  
**Housing material:** Aluminum die cast  
**Mounting:** Surface, pendant and conduit

### PERFORMANCE DATA

**Watts (W):** 40/60/70  
**Volts (V AC):** 120-347  
**Color temperature (K)<sup>1</sup>:** 3 000/4 000/5 000  
**Lumen output (lm)<sup>2</sup>:** 6 022-9 062  
**Efficacy (lm/W):** 141-146  
**CRI:** 80+  
**Life L70 (h)<sup>3</sup>:** 50,000  
**Tested LM-80 (h)<sup>3</sup>:** 9,000  
**Dimming:** 0-10 V  
**Power factor:** >0.9  
**THD (%):** <20%  
**Frequency (Hz):** 50/60  
**Surge protection (kV):** 3  
**Input current (A):** 0.64  
**Operating temp. range:** -40°C to 40°C (-40°F to 104°F)

<sup>1</sup> Typical color temperature range: +/- 5 %.

<sup>2</sup> Lumen values are based on 4 000 K default programming. Please refer to the LUMEN SPECIFICATION TABLE for more details on other color temperatures.

<sup>3</sup> Life hours are derived from IESNA LM80-08 testing report and projected per IESNA TM-21-11 extrapolations.

### ACCESSORIES (order separately)

Order code	Type
69444	High frequency sensor



power  
selectable



warranty



quick  
ship



dimmable



wet  
location



IP  
65



IK08



ICES  
005



This lighting equipment meets requirements of ICES-005 issue 5 class B for use in residential applications.  
 Data is based upon tests performed in a controlled environment.  
 Actual performance can vary depending on operating conditions. Specifications are subject to change without notice.

## OCCUPANCY SENSOR

### BI-LEVEL SENSORS

Detection - On at (Detection Area) % during (Hold Time) min., then (Stand-by Dim level) %

Part number	Position	Volts (V)	Technology	Height (ft)	Detection Area (%)	Initial Brightness (%)	Sensitivity (%)	Hold time (min)	Stand-by Dim level (%)	Stand-by period (min)	Remote <sup>1</sup>	Location (°C)
69444	External	120-347 (12 V DC)	High Frequency	40 (max)	100	50, 75, 100	0 (Off), 50 (Low), 100 (High)	30s, 5min, 15min, 30min	0, 10, 30, 50	Infinite	69080	Dry and Wet, -30 to +40

Default settings: Brightness: 100%, hold time: 5min, stand-by dim: 50%, stand-by time: 30min, photocell: off, sensitivity: 100%

### TRI-LEVEL SENSORS

Detection - On at (Detection Area) % during (Hold Time) min., then (Stand-by Dim level) % during (Stand-by time) min, then OFF

Part number	Position	Volts (V)	Technology	Height (ft)	Detection Area (%)	Initial Brightness (%)	Sensitivity (%)	Hold time (min)	Stand-by Dim level (%)	Stand-by period (min)	Remote <sup>1</sup>	Location (°C)
69444	External	120-347 (12 V DC)	High Frequency	40 (max)	100	50, 75, 100	0 (Off), 50 (Low), 100 (High)	30s, 5min, 15min, 30min	0, 10, 30, 50	10s, 5min, 15min, 30min, 60min	69080	Dry and Wet, -30 to +40

Default settings: Brightness: 100%, hold time: 5min, stand-by dim: 50%, stand-by time: 30min, photocell: off, sensitivity: 100%

<sup>1</sup> To be ordered separately.

## COMPATIBLE DIMMERS<sup>1</sup>

Brand	Model
Lutron	TSTV-DV, DIVA DVSTV
Leviton	DD 710, DS 710
Legrand	RH4FBL3PTC, WS4FBL3P

Dimming range: 10%-100%

<sup>1</sup> This table shows dimmers that have been tested and have demonstrated proper operation under normal conditions. Each installation being unique, various factors such as load, common neutrals or other electrical products on the circuit can, in certain instances, cause variance in system performance. Read and comply to the dimmer installation instructions. Consult dimming system manufacturer for additional support in operation. Some dimmers may require more than one product for stable operation. Stanpro recommends to use dimmers designed to work with LED products. Older dimmers designed for incandescent products may cause erratic operation.

## LUMEN SPECIFICATION TABLE

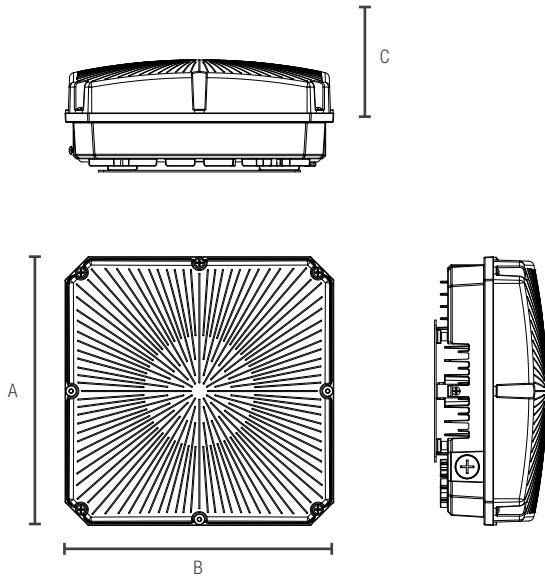
Watts (W)	3 000 K			4 000 K			5 000 K		
	Lumen output (lm)	Efficacy (lm/W)	LED Current (mA)	Lumen output (lm)	Efficacy (lm/W)	LED Current (mA)	Lumen output (lm)	Efficacy (lm/W)	LED Current (mA)
40	5 530	120	366.6	6 022	146	344.9	5 665	139	341.5
60	7 231	120	550	7 601	142	448.3	7 399	135	458.5
70	8 544	124	574.4	9 062	141	557.8	8 738	133	580.2

### DEFAULT PROGRAMMING

70 W / 4 000 K

Data is based upon tests performed in a controlled environment. Actual performance can vary depending on operating conditions. All products are subject to change or may be discontinued any time without notice. Please contact your Stanpro customer service representative to confirm inventory levels at time of order.

**DIMENSIONS AND WEIGHTS**

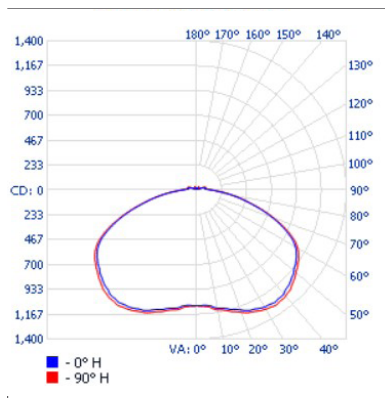


40/60/70 W	
A in. (cm)	10.06 (25.54)
B in. (cm)	10.06 (25.54)
C in. (cm)	4.19 (10.65)
Net weight (lbs)	6.28

**PHOTOMETRIC DATA<sup>1</sup>**

69388 • IFO-PS70A-Q-3CBBRP • 40 W • 4 000 K • 6 022 lm

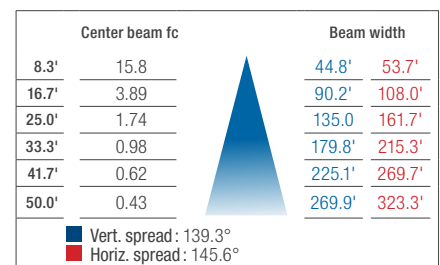
**Polar candela distribution**



**Zonal lumen summary**

Zone	Lumens	% Fixture
0-30	1 013.4	17.2
0-40	1 819.5	30.9
0-60	3 795.8	64.4
60-90	1 825.9	31
70-100	990.2	16.8
90-120	207.6	3.5
0-90	5 621.7	95.4
90-180	269.6	4.6
0-180	5 891.4	100

**Illuminance at a distance**



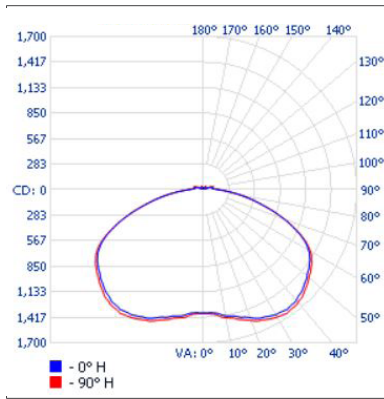
<sup>1</sup> Complete IES files available on our website.

Data is based upon tests performed in a controlled environment. Actual performance can vary depending on operating conditions. All products are subject to change or may be discontinued any time without notice. Please contact your Stanpro customer service representative to confirm inventory levels at time of order.

**PHOTOMETRIC DATA<sup>1</sup>**

69388 • IFO-PS70A-Q-3CBBRP • 60 W • 4 000 K • 7 601 lm

**Polar candela distribution**



**Zonal lumen summary**

Zone	Lumens	% Fixture
0-30	967.2	17.9
0-40	1 719.3	31.8
0-60	3 534.6	65.3
60-90	1 633.8	30.2
70-100	881.4	16.3
90-120	187.1	3.5
0-90	5 167.8	95.5
90-180	243.9	4.5
0-180	5 411.8	100

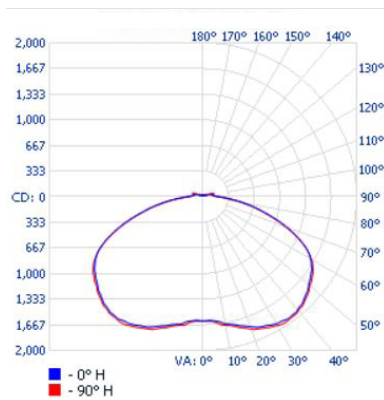
**Illuminance at a distance**

Center beam fc		Beam width	
8.3'	15.7	42.0'	50.7'
16.7'	3.87	84.4'	101.9'
25.0'	1.73	126.4'	152.6'
33.3'	0.97	168.3'	203.3'
41.7'	0.62	210.8'	254.6'
50.0'	0.43	252.8'	305.2'

■ Vert. spread: 136.8°  
■ Horiz. spread: 143.7°

69388 • IFO-PS70A-Q-3CBBRP • 70 W • 4 000 K • 9 062 lm

**Polar candela distribution**



**Zonal lumen summary**

Zone	Lumens	% Fixture
0-30	1 521.7	17.1
0-40	2 737.6	30.8
0-60	5 724.5	64.4
60-90	2 772.2	31.2
70-100	1 499.8	16.9
90-120	310.7	3.5
0-90	8 496.6	95.6
90-180	392.6	4.4
0-180	8 889.3	100

**Illuminance at a distance**

Center beam fc		Beam width	
8.3'	23.5	47.3'	53.7'
16.7'	5.79	95.2'	108.0'
25.0'	2.58	142.5'	161.7'
33.3'	1.46	189.9'	215.4'
41.7'	0.93	237.7'	269.7'
50.0'	0.65	285.1'	323.4'

■ Vert. spread: 141.3°  
■ Horiz. spread: 145.6°

<sup>1</sup> Complete IES files available on our website.

Qty	Description	Price

I accept the specifications of the luminaire configuration mentioned above.

Name: \_\_\_\_\_

Company: \_\_\_\_\_

Signature: \_\_\_\_\_

Date: \_\_\_\_\_

Data is based upon tests performed in a controlled environment. Actual performance can vary depending on operating conditions. All products are subject to change or may be discontinued any time without notice. Please contact your Stanpro customer service representative to confirm inventory levels at time of order.