

120V SELECTABLE MINI TASK

Round Adjustable 1" and 2"

LED Downlights

GM Lighting®

PRODUCT OVERVIEW

Round adjustable recessed Mini Task selectable 5CCT downlights with a 90+ CRI light source. Available in 1" and 2" in white. The fixture is fully dimmable. Quick to install. Versatile in adjusting to aiming needs. Power supply integrated into included wiring box. No separate power supply required.

FEATURES

- 120V
- 5CCT selectable switch (2700K / 3000K / 3500K / 4000K / 5000K)
- Dimmable ELV
- +/- 15° tilt range over 360°
- 38° beam angle
- 90+ CRI
- 1" module - up to 350lm., 2" module up to 625lm.
- Round trim style
- White finish
- Wet location, indoor covered ceiling
- IC Rated for insulated ceiling spaces

SPECIFICATIONS

ELECTRICAL

- 5W (1")
- 8W (2")
- 120V (includes wiring box)

OPTICS

- Selectable Switch 2700K, 3000K, 3500K, 4000K and 5000K
- 90+ CRI

CERTIFICATION

- ETL listed (for US & Canada)
- Energy Star
- Title24/J8
- IC rated

OPERATING TEMP

- -4°F to 104°F

WARRANTY

- 5-year warranty

ORDERING INFORMATION

Ordering Example: MTRA1-5CCT-W

Model	Format	Size	Color Temp	Finish
MT (MiniTask)	RA (Round Adjustable)	1"	5CCT (Selectable Switch)	W (White)
		2"		

ACCESSORIES

Model	Description
CHDL-UNV-NCP	Universal new construction mounting plate
RSD-5FT-EXT	5' extension cord for RSD Series Downlights
RSD-10FT-EXT	10' extension cord for RSD Series Downlights
RSD-20FT-EXT	20' extension cord for RSD Series Downlights

LUMEN TABLE

Model	2700K	3000K	3500K	4000K	5000K
MTRA1-5CCT-W	330lm	350lm	360lm	370lm	350lm
Lumen Factor	0.95	1.00	1.05	1.06	1.01
MTRA2-5CCT-W	540lm	570lm	610lm	625lm	620lm
Lumen Factor	0.95	1.00	1.07	1.09	1.08

NOTE: IES files available in 3000K. Download from product page on website. If needed, use lumen factors to scale output to other color temperatures.

GM Lighting®

©2023 GM LIGHTING, LLC • www.gmlighting.net • Specifications subject to change without notice
18700 Ridgeland Ave., Tinley Park, IL 60477 • Toll-Free: (866) 671-0811 FAX: (708) 478-2640 • tech@gmlighting.net

MTRA12adj-Nov3022
Page 1

Project Name	Type
Catalog #	Date



120V SELECTABLE MINI TASK

Round Adjustable 1" and 2" LED Downlights

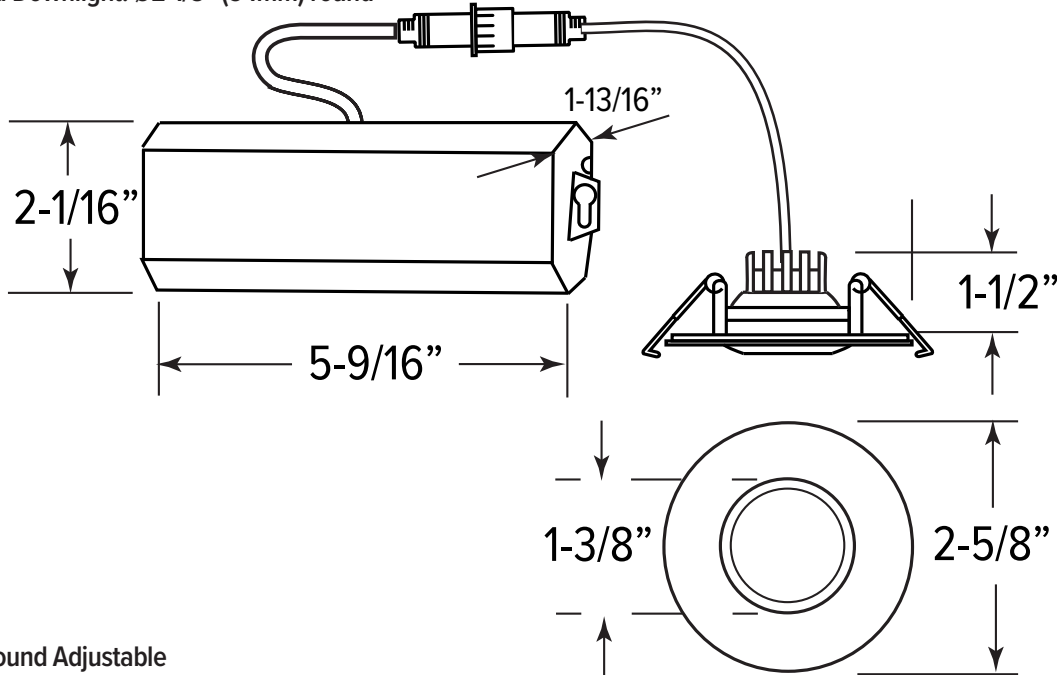


DIMENSIONS

1" MiniTask Round Adjustable

Ceiling cutout size for hole

1" Round Fixed Downlight: Ø2-1/8" (54mm) round



2" MiniTask Round Adjustable

Ceiling cutout size for hole

2" Round Fixed Downlight: Ø2-5/8" (67mm) round

