

# 120V SELECTABLE MINI TASK

## 1" and 2" Round and Square Recessed LED Downlights

# GM Lighting®

Project Name	Type
Catalog #	Date



### PRODUCT OVERVIEW

Low profile recessed MiniTask downlights with selectable 5CCT and 90+ CRI light source. Available in 1" and 2", round or square in white or black color. The fixture is fully dimmable. Quick to install. Small ceiling footprint for a clean look. Power supply integrated into included wiring box. No separate power supply required.

### FEATURES

- 120V
- 5CCT selectable switch (2700K / 3000K / 3500K / 4000K / 5000K)
- Dimmable ELV
- 38° beam angle
- 90+ CRI
- 1" module - up to 500lm, 2" module up to 1100lm
- Square and round trim styles
- Black and white finishes
- Damp location, IP54 (indoor only)
- Wet location, indoor covered ceiling
- IC Rated for insulated ceiling spaces



### SPECIFICATIONS

#### ELECTRICAL

- 7W (1")
- 15W (2")
- 120V (includes wiring box)

#### OPTICS

- Selectable Switch 27K/30K/35K/40K/50K
- 90+ CRI

#### CERTIFICATION

- ETL listed (for US & Canada)
- Energy Star
- Title24/J8
- IC rated

#### OPERATING TEMP

- -4°F to 104°F

#### WARRANTY

- 5-year warranty

### ORDERING INFORMATION

Ordering Example: MTR1-5CCT-W

Model	Format	Size	Color Temp	Finish
MT (MiniTask)	R (Round)	1"	5CCT (Selectable Switch)	W (White)
	S (Square)	2"		B (Black)

### ACCESSORIES

Model	Description
CHDL-UNV-NCP	Universal new construction mounting plate
RSD-5FT-EXT	5' extension cord for RSD Series Downlights
RSD-10FT-EXT	10' extension cord for RSD Series Downlights
RSD-20FT-EXT	20' extension cord for RSD Series Downlights

### LUMEN TABLE

Model	2700K	3000K	3500K	4000K	5000K
MTR1-5CCT-W/B MTS1-5CCT-W/B	430lm	465lm	495lm	500lm	475lm
Lumen Factors	0.93	1.00	1.07	1.08	1.02
MTR2-5CCT-W/B MTS2-5CCT-W/B	920lm	980lm	1080lm	1110lm	1025lm
Lumen Factors	0.94	1.00	1.10	1.13	1.05

**NOTE:** IES files available in 3000K. Download from product page on website. If needed, use lumen factors to scale output to other color temperatures.

# 120V SELECTABLE MINI TASK

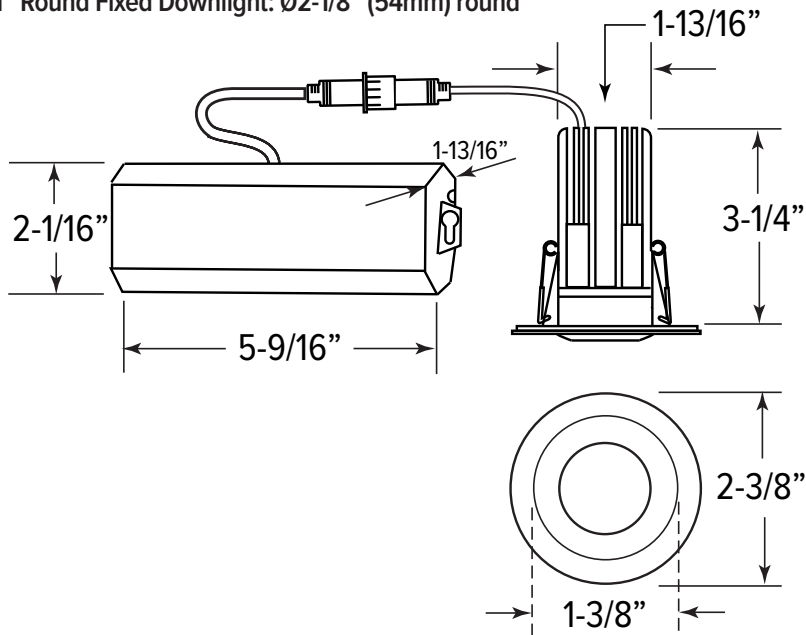
## 1" and 2" Round and Square Recessed LED Downlights

### DIMENSIONS

1" MiniTask Round / Square

Ceiling cutout size for hole

1" Round Fixed Downlight: Ø2-1/8" (54mm) round



2" MiniTask Round / Square

Ceiling cutout size for hole

2" Round Fixed Downlight: Ø2-5/8" (67mm) round

