



LRG3-4RSL

4" Sloped Round Regressed Gimbal LED 7.5W

Project: _____

Location: _____

Model #: _____ Qty: _____

Notes: _____

DESCRIPTION

4" Sloped Round Regressed Gimbal LED
 With Integral Driver In Connection Box
 Gimbal Yet Air-Tight Without Housing Needed
 30° Sloped Trim for Wall Washing and Ceilings from 5° to 55°

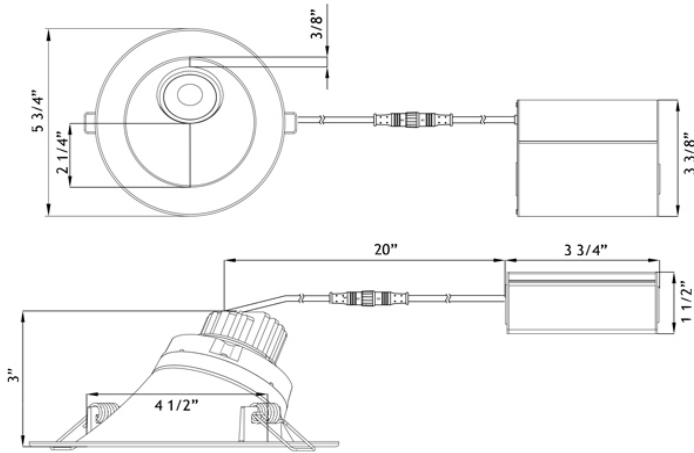
FEATURES & BENEFITS

3" Deep - Install Where Ceiling Space Is Limited
 Type IC Rated - No Housing Required
 Driver Inside Connection Box - No Junction Box Needed
 CRI 90+ for True Color Rendering
 Available in single CCT, Dim to Warm, & 5CCT

MOUNTING

Cut Hole In Ceiling And Snap Fixture In Opening With
 Attached Spring Clips. Ceiling Clearance Required: 3"

DIMENSIONS: ID 4 1/2" OD 5 3/4" Cut Out 4 1/2" to 5" Round Hole



AVAILABLE TRIMS



White



Black

ORDERING GUIDE Example: **LRG3 - 30K - 4RSL - WH**

	CCT	Trim Finish
LRG3	- xxK	- 4RSL - xx
2700K	27K	- 4RSL - WH White
3000K	30K	- 4RSL - BK Black
3500K	35K	
4000K	40K	
5000K	50K	
DTW 3K-2K	32K	Dim to Warm 3000K to 2000K
5CCT	5CCT	User selectable 27-30-35-40-50K

SPECIFICATION	
Applications	Sloped Ceilings 5° to 55°, Wall Washing
Energy Used	7.5 W
Color Temperature	2700 3000 3500 4100 5000 DTW 5CCT
Light Output	580 600 620 630 650 500
Halogen Equivalent	50 W
Beam Angle	38° with 20° tilt and 360° rotation
CRI	90 +
Default Driver Input	120V AC Triac Dimmable
Optional Driver Input	120V-347V AC 0-10V Dimmable
Junction Box Wire Capacity	Max 5 No 12 AWG or 8 No 14 AWG
Power Factor	0.95
Approved Location	Insulated Ceilings, Wet Location
IP Rating	IP 54
Air Tight	Yes
Ambient Temperature	-40°F (-40°C) to +104°F (+40°C)
Projected Life	70% Light Output at 50,000 Hours
Certification	cULus, Energy Star (except DTW & 5CCT), T24
Warranty	10 Year Residential / 5 Year Commercial

120V TRIAC Dimmable
 Driver Included

Optional 120V-347V Driver
 0-10V Dimmable
 Order Separately as
[model # LLL-LD0716T](#)



ACCESSORIES

Sold Separately



Low Voltage Extension Cables. Max 40 ft Allowed
[6ft - model # EXC6](#)
[20ft - model # EXC20](#)



[Flat Rough-In Plates - model # RIP5](#)



[Flanged Plate with Hanger Bars model # FRP412](#)

COMPLIANCE



Type IC
 Air-Tight

USA Patent # US 10,344,952 B2 | Canada # 2,967,954 | Other Patents Pending

Lotus LED Lights USA

250 H Street # 301, Blaine WA 98230 tel 360-200-5500
 Hainesport NJ, Naples FL, Dallas TX, Vancouver WA

www.LotusLEDLights.com

mailing addresses
 warehouses

Lotus LED Lights CANADA

702 Chester Rd, Delta BC V3M 6J1 tel 604-538-3090
 Delta BC & Mississauga ON