



LRG6-6RSL

6" Sloped Round Regressed Gimbal LED 15W

Type IC
Wet & Air-Tight



DESCRIPTION

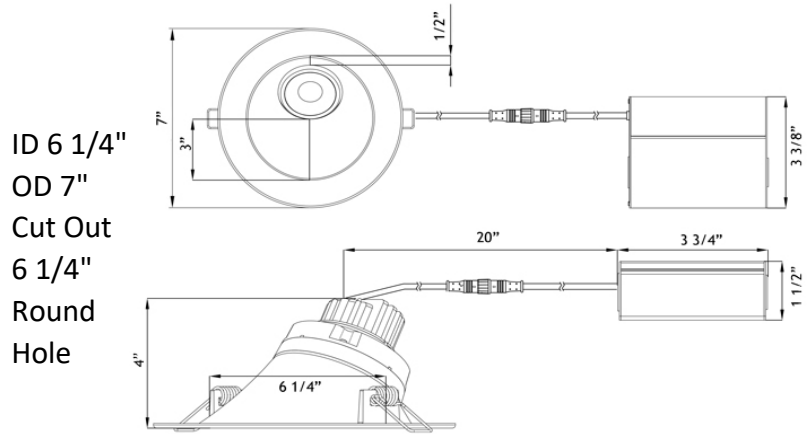
6" Sloped Round Regressed Gimbal LED With Integral Driver In Connection Box
Gimbal Yet Air-Tight Without Housing Needed
30° Sloped Trim for Wall Washing and Ceilings from 10° to 50°

FEATURES & BENEFITS

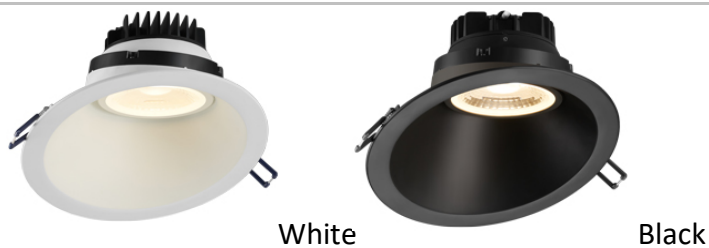
4" Deep - Install Where Ceiling Space Is Limited
Type IC Rated - No Housing Required
Driver Inside Connection Box - No Junction Box Needed
CRI 90+ for True Color Rendering
Available in single CCT, Dim to Warm 30-20K & 30-18K, & 5CCT

MOUNTING

Cut Hole In Ceiling And Snap Fixture In Opening With Attached Spring Clips. Ceiling Clearance Required: 4"



AVAILABLE TRIMS



ORDERING GUIDE Example LRG6-30K-6RSL-WH

LRG6	CCT	Trim Finish	
	- xxK	- 6RSL - xx	
2700K	27K	- 6RSL - WH	White
3000K	30K	- 6RSL - BK	Black
3500K	35K		
4000K	40K		
5000K	50K		
DTW 30K-20K	32K	Dim to Warm 3000K to 2000K	
DTW 30K-18K	3018K	Dim to Warm 3000K to 1800K	
5CCT	5CCT	User selectable 27-30-35-40-50K	

Project: _____
 Location: _____
 Model #: _____ Qty: _____
 Notes: _____

SPECIFICATION	
Applications	Sloped Ceilings 10° to 50°, Wall Washing
Energy Used	15 W
Color Temperature (K)	2700 3000 3500 4100 5000 DTW 30-20 DTW 30-18
Light Output (lm)	1100 1200 1250 1300 1400 900 980
Beam Angle	38° wide beam with 20° tilt and 360° rotation
CRI	90 +
Default Driver Input	120V AC Triac Dimmable
Optional Driver Input	120V-347V AC 0-10V Dimmable
Junction Box Wire Capacity	Max 5 No 12 AWG or 8 No 14 AWG
Power Factor	0.95
Approved Location	Insulated Ceiling & Wet Locations
IP Rating	IP 54
Air Tight	Yes
Ambient Temperature	-40°F (-40°C) to +104°F (+40°C)
Projected Life	70% Light Output at 50,000 Hours
Certification	cULus, Energy Star (except DTW & 5CCT), T24
Warranty	10 Year Residential / 5 Year Commercial

120V TRIAC Dimmable Driver Included



Optional 120V - 347V Driver

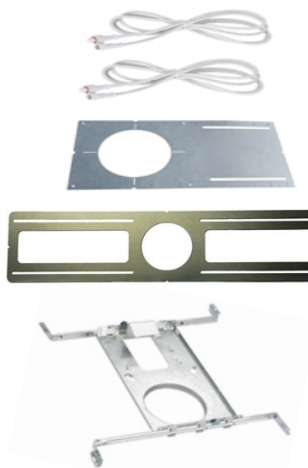


0-10V Dimmable

[model # LLL-LD1535T](#)

ACCESSORIES

Sold Separately



Low Voltage Extension Cables. Max 40 ft Allowed

[6ft - model # EXC6](#)

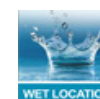
[20ft - model # EXC20](#)

[13" Mounting Plate Flat model # MP6-2](#)

[26" Flat Rough-In Plates model # RIP6](#)

[Flanged Plate with Hanger Bars - model # FRP6](#)

COMPLIANCE



Type IC
Air-Tight
Wet Location

USA Patent # US 10,344,952 B2 | Canada Patent # 2,967,954

Lotus LED Lights USA
250 H Street # 301, Blaine WA 98230 tel 360-200-5500
Hainesport NJ, Naples FL, Dallas TX, Vancouver WA

www.LotusLEDLights.com
mailing addresses
warehouses

Lotus LED Lights CANADA
702 Chester Rd, Delta BC V3M 6J1 tel 604-538-3090
Delta BC & Mississauga ON