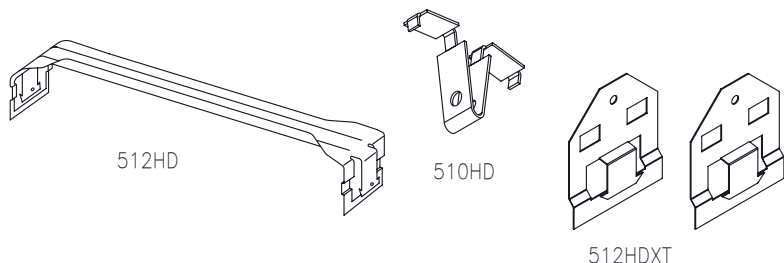
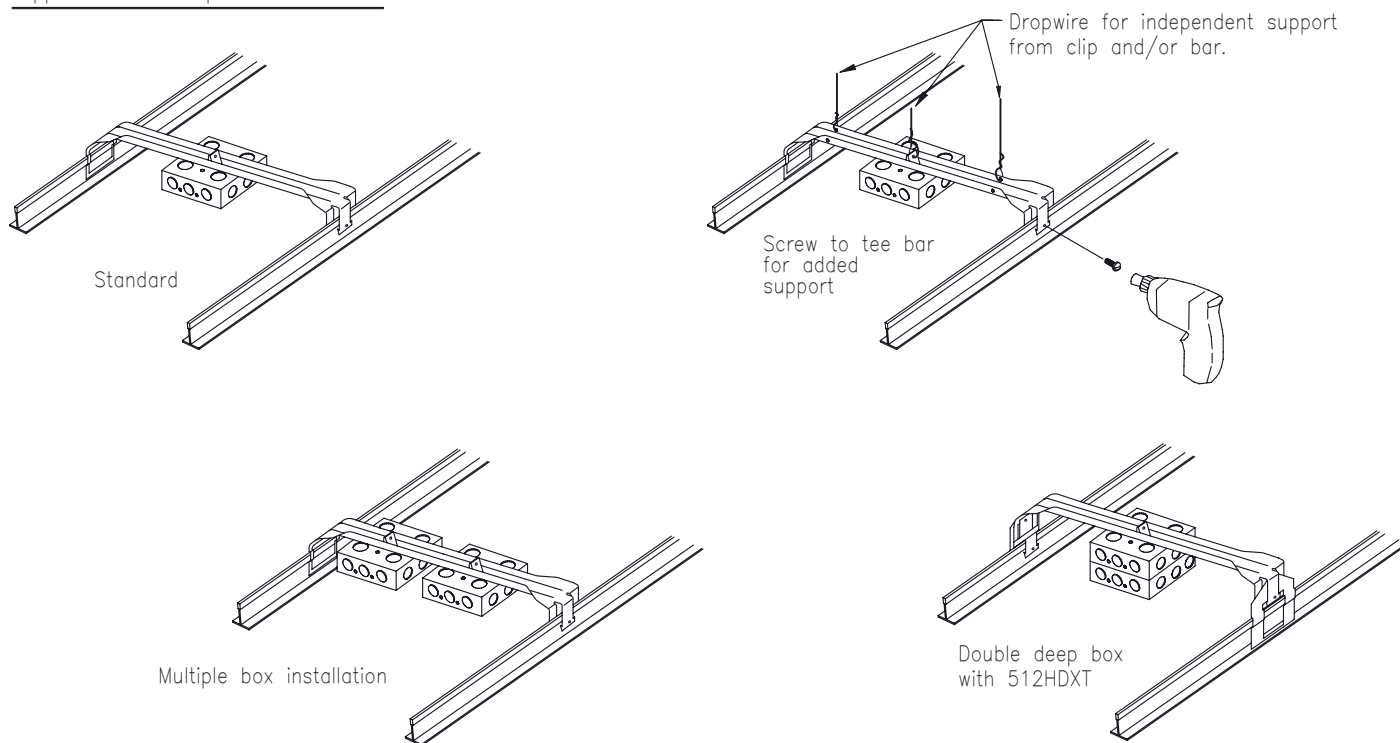


512HD T-Grid Box Hanger Assembly

Part Number	Description
512HD	Heavy duty electrical box hanger with box mounting clip, 24" span
510HD	Box mounting clip only, for multiple box requirements
512HDXT	Extension bracket 3-5/8" height
512HDEEP	Heavy duty electrical box hanger with extension bracket 3-5/8" height



Applications and Options



WARNING:

1. nVent products shall be installed and used only as indicated in nVent product instruction sheets and training materials. Instruction sheets are available at www.nVent.com and from your nVent customer service representative.
2. nVent products must never be used for a purpose other than the purpose for which they were designed or in a manner that exceeds specified load ratings.
3. All instructions must be **completely** followed to ensure proper and safe installation and performance.
4. Improper installation, misuse, misapplication or other failure to completely follow nVent's instructions and warnings may cause product malfunction, property damage, serious bodily injury and/or death, and void your warranty.
5. Products that are manufactured using spring steel components shall be used only in a non-corrosive indoor environment.
6. All pipe supports, hangers, intermediate components and structural attachments must **ONLY** be used as described herein and are **NEVER** to be used for any other purpose.

NOTE: All load ratings are for static conditions and do not account for dynamic loading such as wind, water or seismic loads, unless otherwise noted.

The customer is responsible for:

- a. Conformance to all governing codes.
- b. The integrity of structures to which the products are attached, including their capability of safely accepting the loads imposed, as evaluated by a qualified engineer.
- c. Using appropriate industry standard hardware as noted above.

SAFETY INSTRUCTIONS:

All governing codes and regulations and those required by the job site must be observed. Always use appropriate safety equipment such as eye protection, hard hat, and gloves as appropriate to the application.

nVent, nVent CADDY, nVent ERICO Cadweld, nVent ERICO Critec, nVent ERICO, nVent ERIFLEX, and nVent LENTON are owned by nVent or its global affiliates. All other trademarks are the property of their respective owners. nVent reserves the right to change specifications without prior notice.

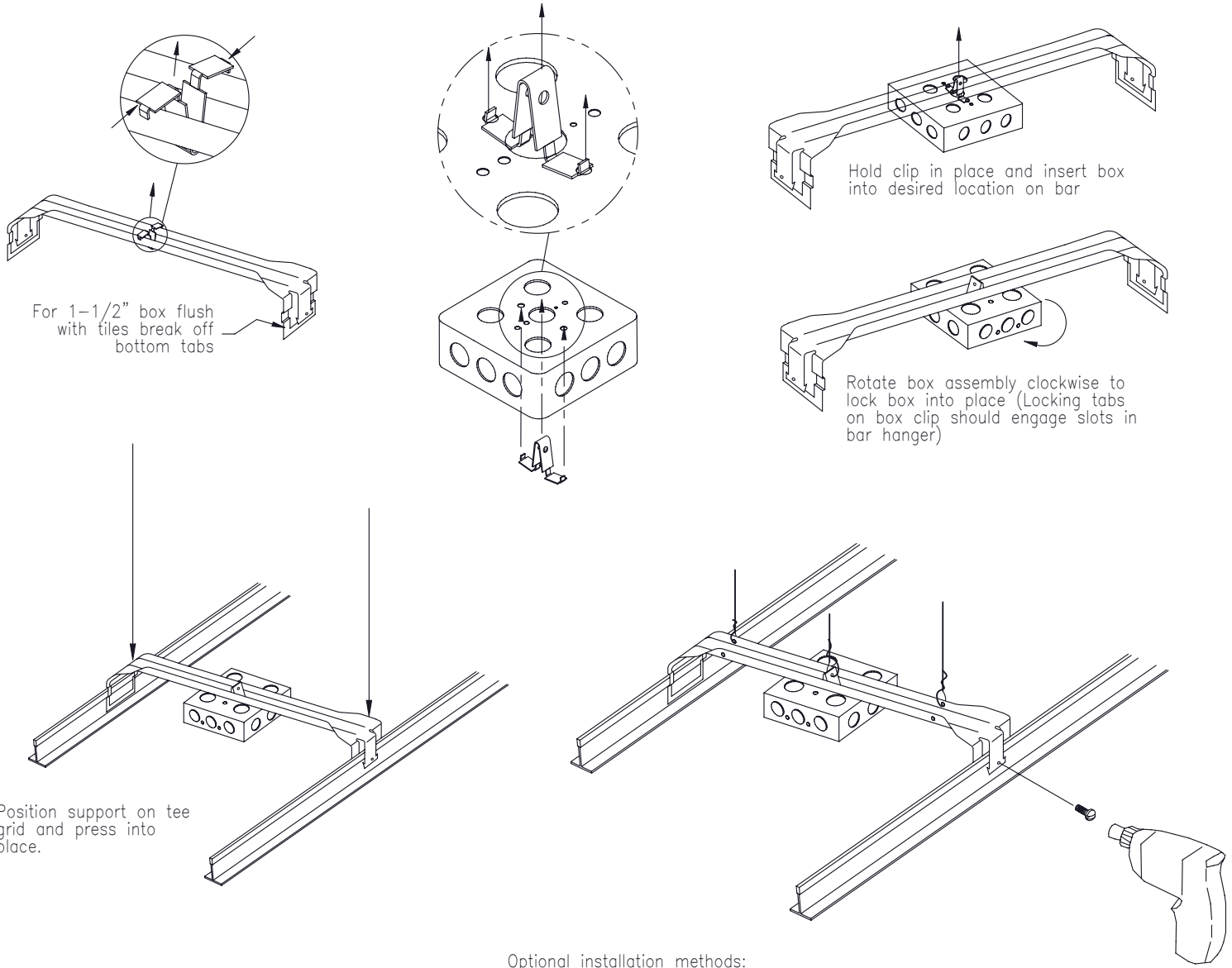
TECHNICAL SUPPORT:
www.nVent.com

CFS230_D

1 OF 2

© 1998-2018 nVent All Rights Reserved





For 1-1/2" box flush with tiles break off bottom tabs

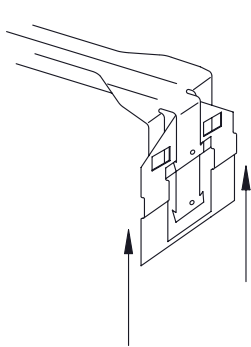
Hold clip in place and insert box into desired location on bar

Rotate box assembly clockwise to lock box into place (Locking tabs on box clip should engage slots in bar hanger)

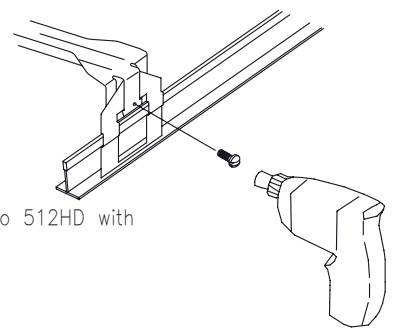
Position support on tee grid and press into place.

Optional installation methods:
 Use if required
 Screw bar to tee grid for added stability.
 Add drop wires for independent support.

Extension Bracket Installation



1. Slide 512HD onto the 512HDXT making sure the extension legs are under then bent arms.



2. Secure 512HDXT to 512HD with screws.

Note: 512HDXT provides 3-5/8" spacing from face of tile to bottom of bar to accommodate 2-1/8" box with 1-1/2" extension ring.