

Channel Clamps

Fig. 1 Global Part Number	Fig. 2 Global Part Number	Size	
		Wire or Rod	Lathers Channel
2B15LS	---	#8 Wire	1-1/2" Channel
4B15LS	4B15L	1/4" Plain Rod	1-1/2" Channel
4B2LS	---	1/4" Plain Rod	2" Channel

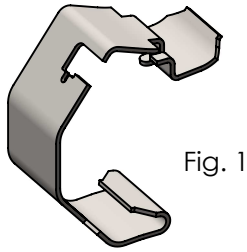


Fig. 1

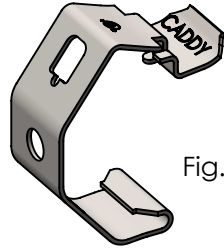


Fig. 2

Application



CAUTION

See Reverse Side For Installation Instructions



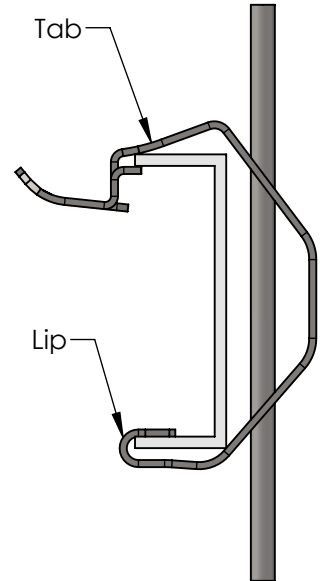
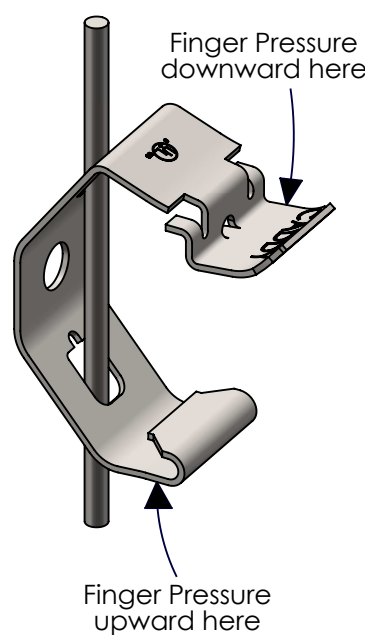
CAUTION

Do Not Use With Lath And/or Plaster

Only for Acoustical Application

Installation

1. Compress clamp slightly and insert rod. Slide to desired elevation on hanger rod. Release finger pressure (as shown). Built-in spring tension will lock clamp onto rod. Insert rod from side.
2. Place flange of channel in lip of channel clamp. Roll channel in against hanger rod. Tab will snap over flange of channel.
3. For use with cold rolled channel with flange width 7/16" to 5/8" and hot rolled channel sizes .85#/Ft. and .105#/Ft.
4. Static load limit for 2B15LS and 4B2LS is 160lbs. Static load limit for 4B15L and 4B15LS is 200lbs.



Important

1. Wire and rod, must meet A.I.S.I. Carbon or Steel Wire and Rod.
2. Flanges, purlins, angle iron, bar joists, etc. must meet A.I.S.I. Hot Rolled and Cold Finished Bar standards.

WARNING:

1. nVent products shall be installed and used only as indicated in nVent product instruction sheets and training materials. Instruction sheets are available at www.nVent.com and from your nVent customer service representative.
2. nVent products must never be used for a purpose other than the purpose for which they were designed or in a manner that exceeds specified load ratings.
3. All instructions must be completely followed to ensure proper and safe installation and performance.
4. Improper installation, misuse, misapplication or other failure to completely follow nVent's instructions and warnings may cause product malfunction, property damage, serious bodily injury and/or death, and void your warranty.
5. Products that are manufactured using spring steel components shall be used only in a non-corrosive indoor environment.
6. All pipe supports, hangers, intermediate components and structural attachments must ONLY be used as described herein and are NEVER to be used for any other purpose.

NOTE: All load ratings are for static conditions and do not account for dynamic loading such as wind, water or seismic loads, unless otherwise noted.

The customer is responsible for:

- a. Conformance to all governing codes.
- b. The integrity of structures to which the products are attached, including their capability of safely accepting the loads imposed, as evaluated by a qualified engineer.
- c. Using appropriate industry standard hardware as noted above.

SAFETY INSTRUCTIONS:

All governing codes and regulations and those required by the job site must be observed. Always use appropriate safety equipment such as eye protection, hard hat, and gloves as appropriate to the application.

nVent, CADDY, ERICO CADWELD, ERICO CRITEC, ERICO, ERIFLEX, and LENTON are owned by nVent or its global affiliates. All other trademarks are the property of their respective owners. nVent reserves the right to change specifications without prior notice.

TECHNICAL SUPPORT:
www.nVent.com

CFS129_G

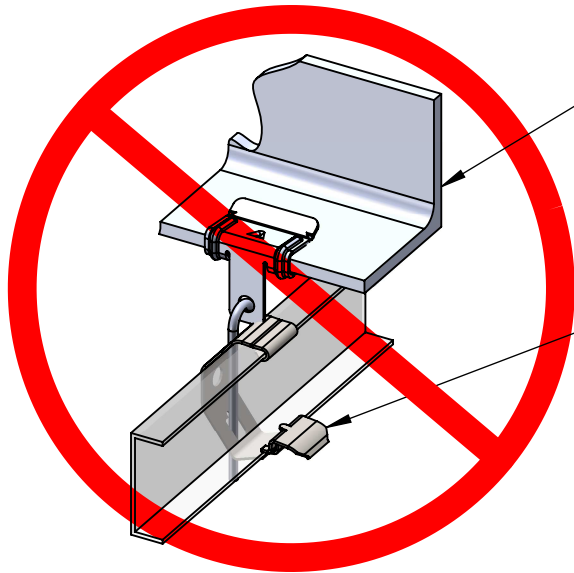
1 OF 2

© 1996-2018 nVent All Rights Reserved



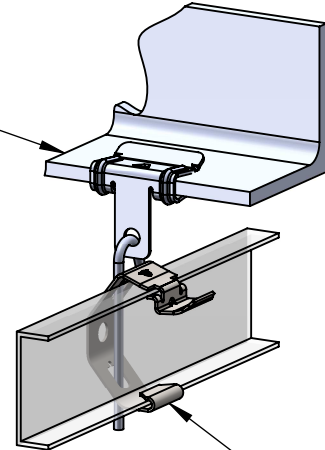
CAUTION:
Install the fastener correctly!
The fastener will not support
the load if installed incorrectly.
If there are any questions,
please consult nVent.

Installation:
Two Types (for Acoustical Applications Only)
Position 1) When the rod is attached above the fastener, the fastener is installed with the lip toward the floor. See Figure (A) showing the rod connected to the overhead building structure.



Overhead Building Structure

Fastener shown upside down (Incorrect install)



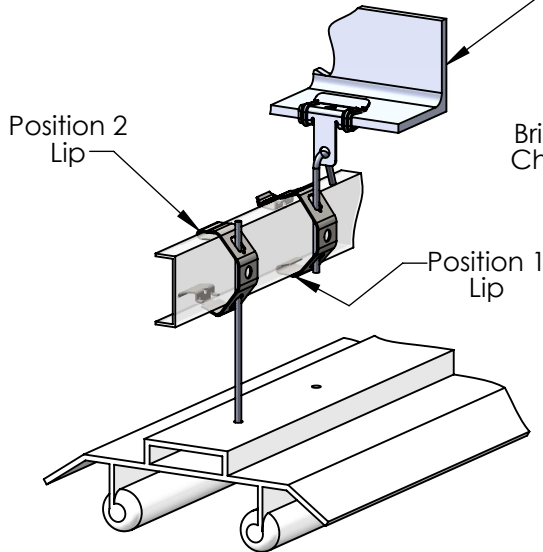
Position 1 Lip

Figure (A)

Position 2) When the rod is attached to a channel and not to the overhead building structure, the fastener which holds the rod to this channel, is installed on the rod with the lip toward the overhead building structure. See Figures (C) and (D) for illustrations of position 2 applications.

Figure (D) Bridging Application

Figure (C) Light Fixture Application

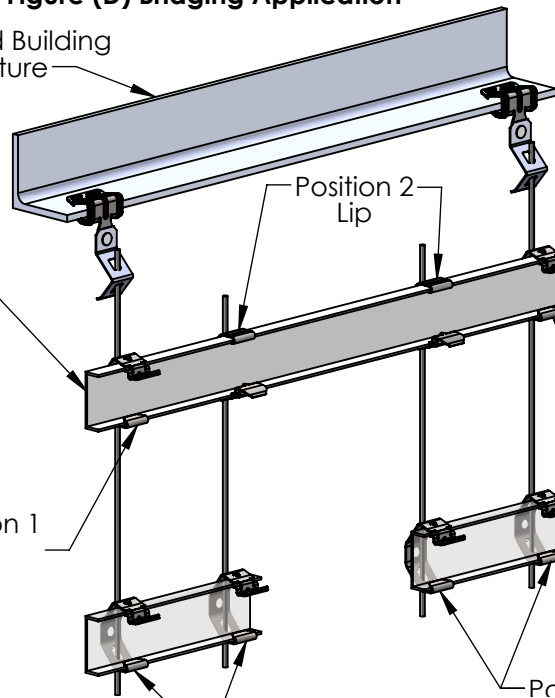


Overhead Building Structure

Bridging Channel

Position 1 Lip

Position 1 Lip



Position 1 Lip

Position 1