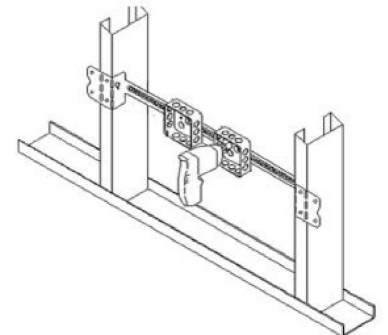
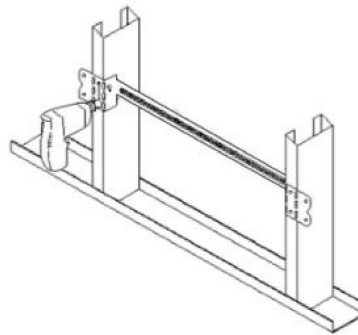
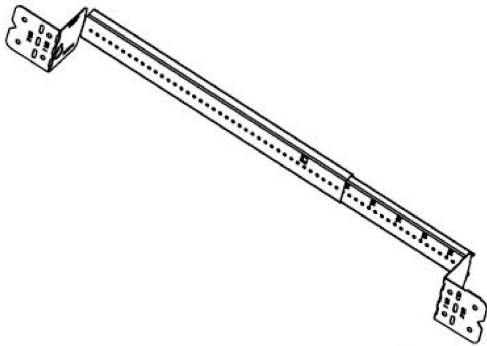
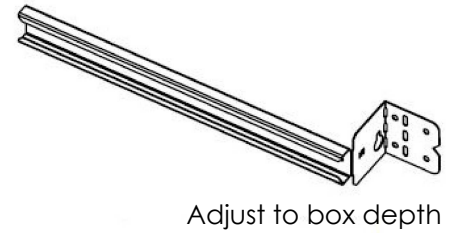
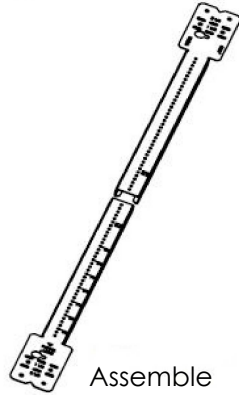
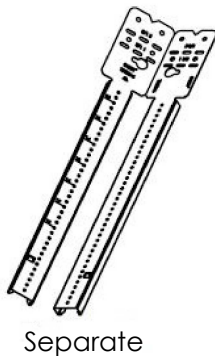
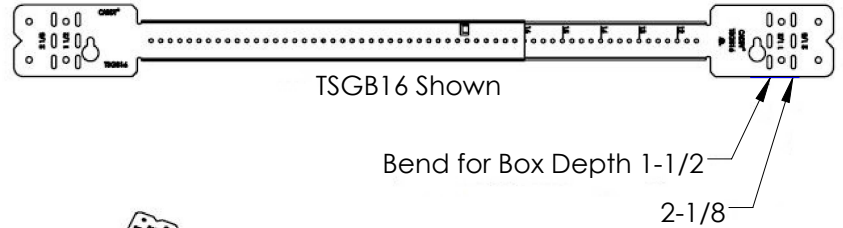
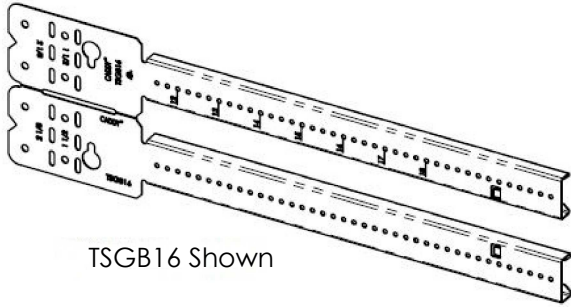


TSGB Series Screw Gun Bracket

Part No.	Description	Stud Spacing	Box Depth
TSGB16*	Adjustable	11" to 18"	1-1/2" or 2-1/8"
TSGB24	Adjustable	17" to 26"	1-1/2", 2-1/8" and 2-1/2"
TSGB1624	Adjustable	16" to 24"	1-1/2", 2-1/8" and 2-1/2"

*Part with keyholes



WARNING:

1. nVent products shall be installed and used only as indicated in nVent product instruction sheets and training materials. Instruction sheets are available at www.nVent.com and from your nVent customer service representative.
2. nVent products must never be used for a purpose other than the purpose for which they were designed or in a manner that exceeds specified load ratings.
3. All instructions must be completely followed to ensure proper and safe installation and performance.
4. Improper installation, misuse, misapplication or other failure to completely follow nVent's instructions and warnings may cause product malfunction, property damage, serious bodily injury and/or death, and void your warranty.
5. Products that are manufactured using spring steel components shall be used only in a non-corrosive indoor environment.
6. All pipe supports, hangers, intermediate components and structural attachments must **ONLY** be used as described herein and are **NEVER** to be used for any other purpose.

NOTE: All load ratings are for static conditions and do not account for dynamic loading such as wind, water or seismic loads, unless otherwise noted.

The customer is responsible for:

- a. Conformance to all governing codes.
- b. The integrity of structures to which the products are attached, including their capability of safely accepting the loads imposed, as evaluated by a qualified engineer.
- c. Using appropriate industry standard hardware as noted above.

SAFETY INSTRUCTIONS:

All governing codes and regulations and those required by the job site must be observed. Always use appropriate safety equipment such as eye protection, hard hat, and gloves as appropriate to the application.

nVent, nVent CADDY, nVent ERICO Cadweld, nVent ERICO Critec, nVent ERICO, nVent ERIFLEX, and nVent LENTON are owned by nVent or its global affiliates. All other trademarks are the property of their respective owners. nVent reserves the right to change specifications without prior notice.



TECHNICAL SUPPORT:
www.nVent.com

CFS300_H

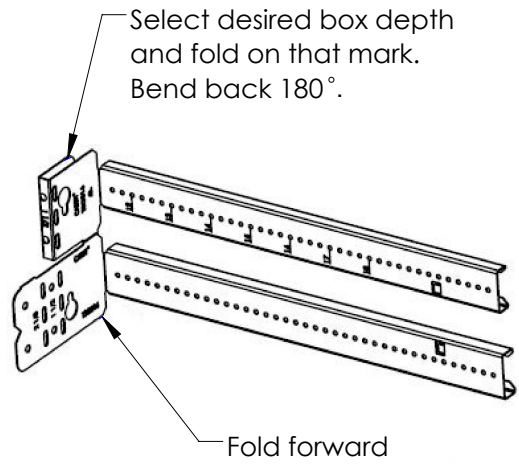
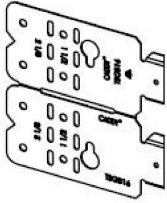
1 OF 2

© 2000-2018 nVent All Rights Reserved

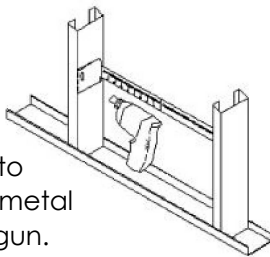


Side Mount

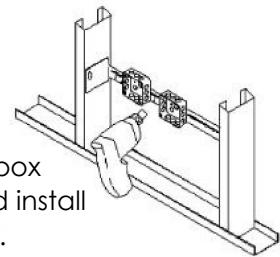
For both standard TSGB16 & TSGB24, and the assembled versions: Fold the outside tab on both ends of TSGB backward 180° until it meets the blank tab.



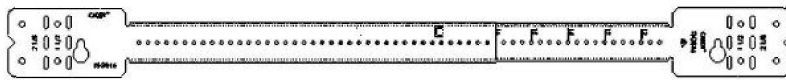
Attach fastener to side face of the metal stud with screw gun.



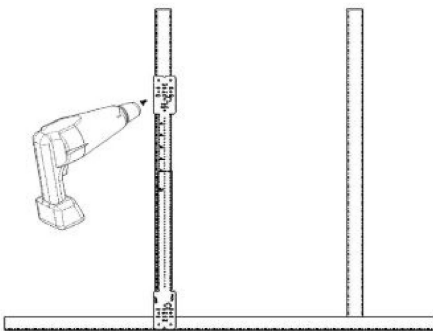
Position outlet box on bracket and install with screw gun.



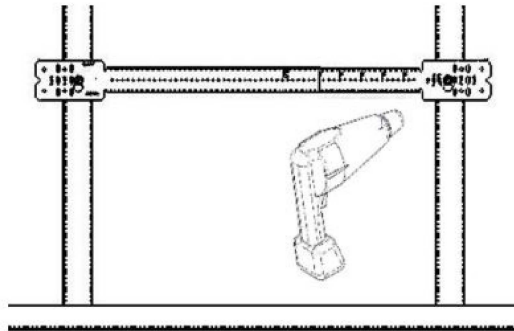
TSGB16



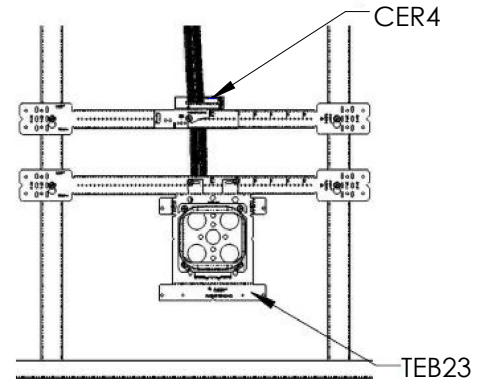
Select height for box center line.



Set to desired height for box \bar{C} . Align on stud. Attach screw through keyhole.



Hang from Keyhole. Level and attach opposite side.



May be used with CER4 as cable support. Attach TEB23 box mount at desired location.

1. Can be mounted on face or inside the stud.
2. Can mount 1-1/2", 2-1/8" or 2-1/2" deep boxes. Notched and marked for easy identification and bending.
3. Requires only a screw gun to install.
4. Box attaches with self-tapping screws. nVent CADDY part number SM58 or mounting clip TSGLDRI.
5. Eliminates movement of the box when used with flexible conduit, ENT, MC, BX, or Non-metallic sheathed cable (NMC).
6. Allows multiple box mounting.