

High Performance nVent CADDY CAT HP J-Hook Assemblies

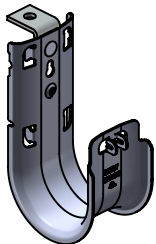


Fig. 1

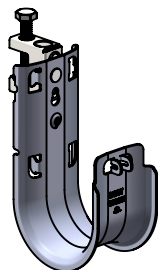


Fig. 2

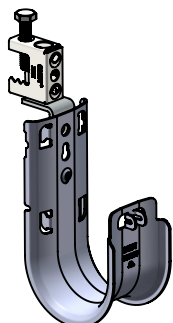


Fig. 3

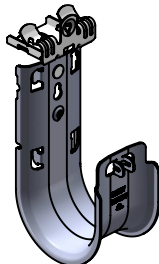


Fig. 4

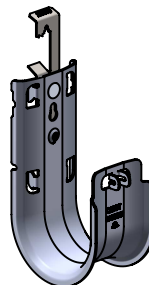


Fig. 5

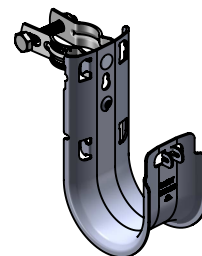


Fig. 6

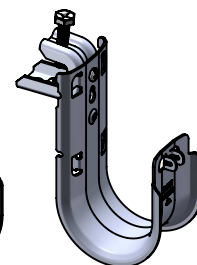


Fig. 7

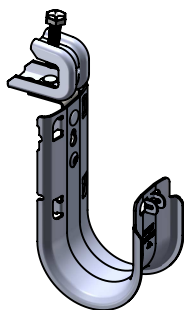


Fig. 8

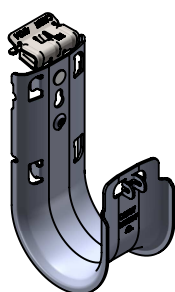


Fig. 9

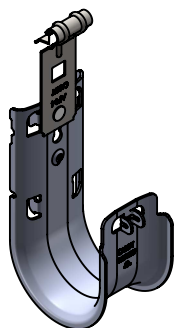


Fig. 10

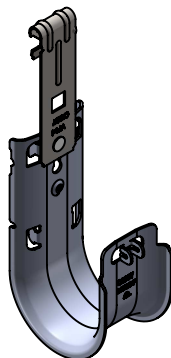


Fig. 11

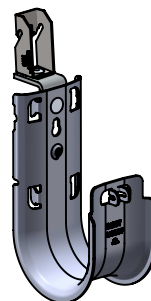


Fig. 12

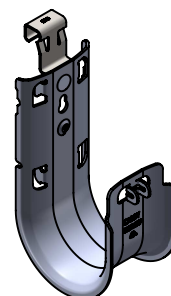


Fig. 13

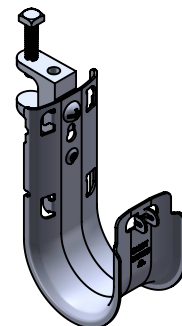
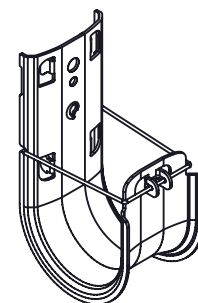
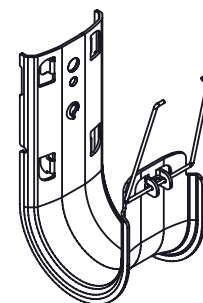
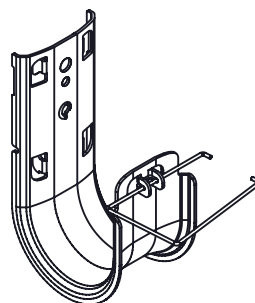
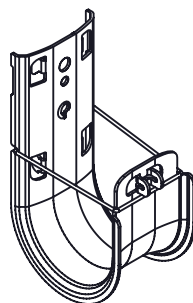
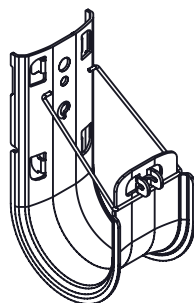
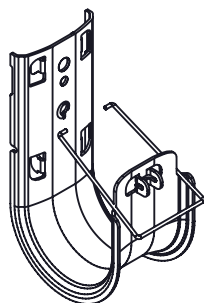


Fig. 14

Retainer Installation



Features:

- Each assembly comes with a retainer.
- The CAT64HP holds 4-pair UTP cables; 300 Cat.5/5e or 300 fiber optic cables, or 185 Cat.6 cables.
- Provides strain relief and routes cables. Bend radius conforms to ANSI/TIA-568.0-D standard.
- Complies with UL®, cUL®, and NEC® requirements for structured cabling systems
- Complies with ANSI/TIA-569-D

WARNING:

1. nVent products shall be installed and used only as indicated in nVent product instruction sheets and training materials. Instruction sheets are available at www.nVent.com and from your nVent customer service representative.
2. nVent products must never be used for a purpose other than the purpose for which they were designed or in a manner that exceeds specified load ratings.
3. All instructions must be **completely** followed to ensure proper and safe installation and performance.
4. Improper installation, misuse, misapplication or other failure to completely follow nVent's instructions and warnings may cause product malfunction, property damage, serious bodily injury and/or death, and void your warranty.
5. Products that are manufactured using spring steel components shall be used only in a non-corrosive indoor environment.
6. All pipe supports, hangers, intermediate components and structural attachments must **ONLY** be used as described herein and are **NEVER** to be used for any other purpose.

NOTE: All load ratings are for static conditions and do not account for dynamic loading such as wind, water or seismic loads, unless otherwise noted.

The customer is responsible for:

- a. Conformance to all governing codes.
- b. The integrity of structures to which the products are attached, including their capability of safely accepting the loads imposed, as evaluated by a qualified engineer.
- c. Using appropriate industry standard hardware as noted above.

SAFETY INSTRUCTIONS:

All governing codes and regulations and those required by the job site must be observed. Always use appropriate safety equipment such as eye protection, hard hat, and gloves as appropriate to the application.

nVent, nVent CADDY, nVent ERICO Cadweld, nVent ERICO Critec, nVent ERICO, nVent ERIFLEX, and nVent LENTON are owned by nVent or its global affiliates. All other trademarks are the property of their respective owners. nVent reserves the right to change specifications without prior notice.

TECHNICAL SUPPORT:
www.nVent.com

CFS462_K

1 OF 6

© 2011-2019 nVent All Rights Reserved

Angle Brackets

Part Number	Article Number	Figure No.	Description	Load Rating	
				lbs.	N
CAT16HPAB	181209	1	J-Hook assembled to angle bracket - 1/4" mounting hole	60	267
CAT21HPAB	181189				
CAT32HPAB	181211				
CAT48HPAB	181212				
CAT64HPAB	181024				

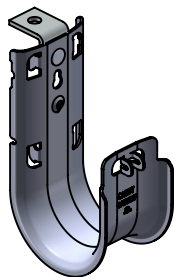
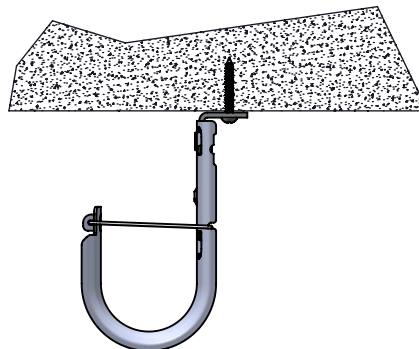


Fig. 1



- 1) Position CATHPAB onto joist, wall or concrete
- 2) Secure with appropriate fastener

Beam Clamp

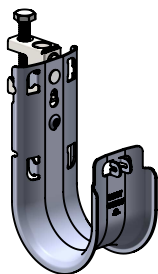


Figure 2

Part Number	Article Number	Figure No.	Description	Load Rating	
				lbs.	N
CAT16HPBC	181201	2	J-Hook assembled to screw-on bracket - 1/8" thru 1/2" flange	60	267
CAT21HPBC	181238				
CAT32HPBC	181202				
CAT48HPBC	181203				
CAT64HPBC	181204				

Part Number	Article Number	Figure No.	Description	Load Rating	
				lbs.	N
CAT16HPBCB	181219	3	J-Hook assembled to screw-on bracket - 1/8" thru 1/2" flange - rotates 360°	60	267
CAT21HPBCB	181245				
CAT32HPBCB	181221				
CAT48HPBCB	181222				
CAT64HPBCB	181021				

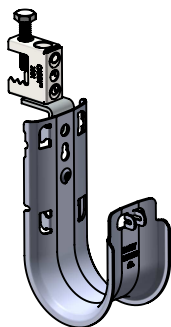
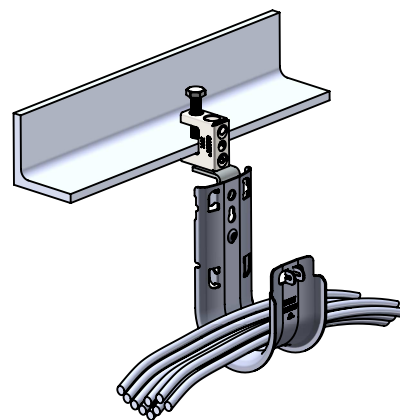
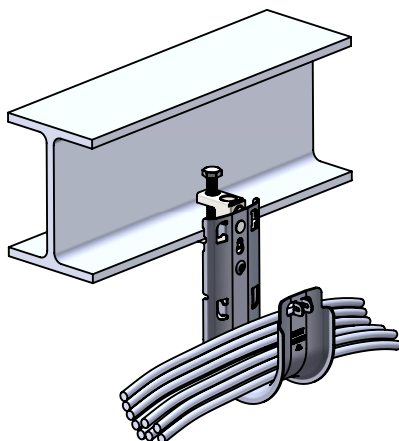


Figure 3



- 1) Place on beam and tighten screw securely (Approximately 20 in. lbs. torque)
- 2) Place cables in J-hook

Flange Mount Clip

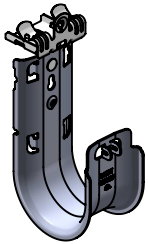


Figure 4

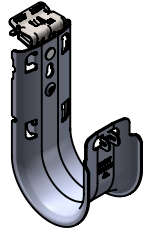
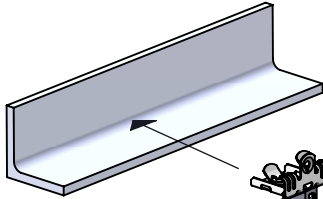
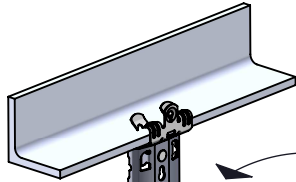


Figure 9



1) With hammer, tap clip onto flange



2) Place cables in J-hook

Part Number	Article Number	Figure No.	Description	Load Rating	
				lbs.	N
CAT16HP24	181213	4	J-Hook assembled to hammer-on - 1/8" thru 1/4" flange - rotates 360°	60	267
CAT21HP24	181194				
CAT32HP24	181214				
CAT48HP24	181215				
CAT64HP24	181216				
CAT16HP58	181001				
CAT21HP58	181195				
CAT32HP58	181002				
CAT48HP58	181231				
CAT64HP58	181003				
CAT16HP912	181004				
CAT21HP912	181196				
CAT32HP912	181005	9	J-Hook assembled to hammer-on - 9/16" thru 3/4" flange - rotates 360°	60	267
CAT48HP912	181232				
CAT64HP912	181006				
CAT16HP1318	N/A				
CAT21HP1318	N/A				
CAT32HP1318	N/A				
CAT48HP1318	N/A				
CAT64HP1318	N/A				
CAT16HP24SM	181098				
CAT21HP24SM	181197				
CAT32HP24SM	181099				
CAT48HP24SM	181207				
CAT64HP24SM	181208				
CAT16HP58SM	181151				
CAT21HP58SM	181198				
CAT32HP58SM	181154				
CAT48HP58SM	181157				
CAT64HP58SM	181161				
CAT16HP912SM	181152				
CAT21HP912SM	181199				
CAT32HP912SM	181155				
CAT48HP912SM	181158				
CAT64HP912SM	181162				
CAT16HP1318SM	N/A				
CAT21HP1318SM	N/A				
CAT32HP1318SM	N/A				
CAT48HP1318SM	N/A				
CAT64HP1318SM	N/A				

Drop Wires, Rods and Flanges

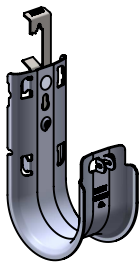
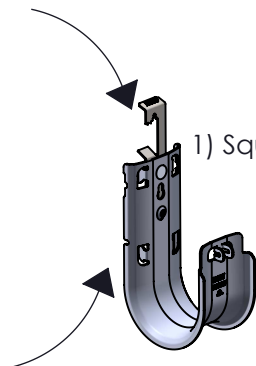
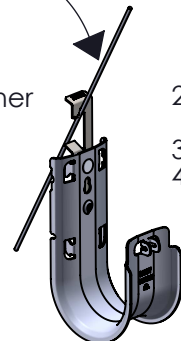


Figure 5

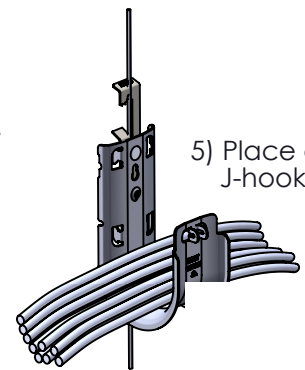
Part Number	Article Number	Figure No.	Description	Load Rating Smooth Rod		Load Rating Threaded Rod	
				lbs.	N	lbs.	N
CAT16HP4Z34	181217	5	J-Hook assembled to 4Z34 - #12 thru 1/4" wire, plain or threaded rod	20	89	30	133
CAT21HP4Z34	181218						
CAT21HPWH4Z34	-						
CAT32HP4Z34	181112						
CAT48HP4Z34	-						
CAT64HP4Z34	-						
CAT16HP6Z34	181007						
CAT21HP6Z34	181259						
CAT32HP6Z34	181008						
CAT48HP6Z34	-						
CAT64HP6Z34	-						



1) Squeeze fastener



2) Connect top edge over wire
3) Twist into place
4) Release



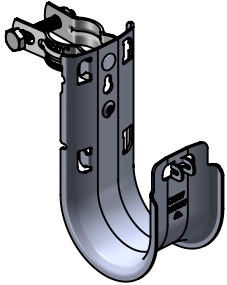
5) Place cables in J-hook

nVent, nVent CADDY, nVent ERICO Cadweld, nVent ERICO Critec, nVent ERICO, nVent ERIFLEX, and nVent LENTON are owned by nVent or its global affiliates. All other trademarks are the property of their respective owners. nVent reserves the right to change specifications without prior notice.

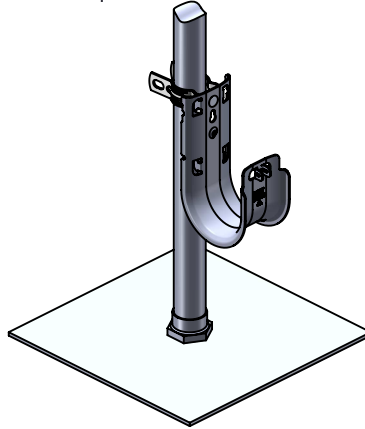
Floor Pedestal Support

Part Number	Article Number	Figure No.	Description	Load Rating
CAT16HPCD1B	181226	6	J-Hook assembled to under floor support to pedestal	Use only for Flexible conduits/cables
CAT21HPCD1B	181247			
CAT32HPCD1B	181227			
CAT48HPCD1B	181228			
CAT64HPCD1B	181229			

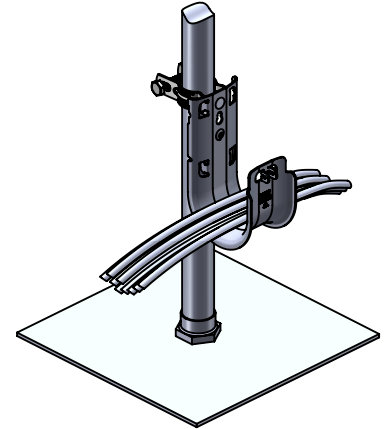
Figure 6



- 1) Position clip on pedestal
- 2) Tighten screw through clip with 75 in-lb torque.



- 3) Place cables in J-hook



Part Number	Article Number	Figure No.	Description	Load Rating	
				lbs.	N
CAT16HPBC200	181014	7	J-Hook assembled to screw-on bracket - 1/8" thru 5/8" flange	60	267
CAT21HPBC200	181239				
CAT32HPBC200	181015				
CAT48HPBC200	181236				
CAT64HPBC200	181016				
CAT16HPBC200B	181017	8	J-Hook assembled to screw-on bracket - 1/8" thru 5/8" flange - rotates 360°	60	267
CAT21HPBC200B	181246				
CAT32HPBC200B	181018				
CAT48HPBC200B	181237				
CAT64HPBC200B	181019				

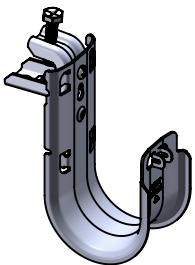


Figure 7

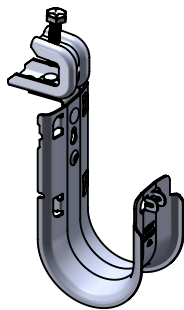
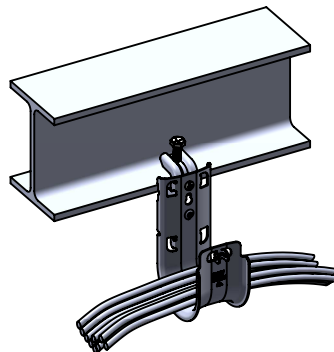
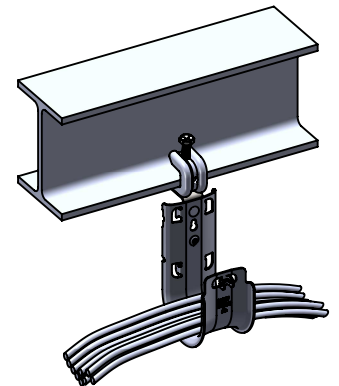


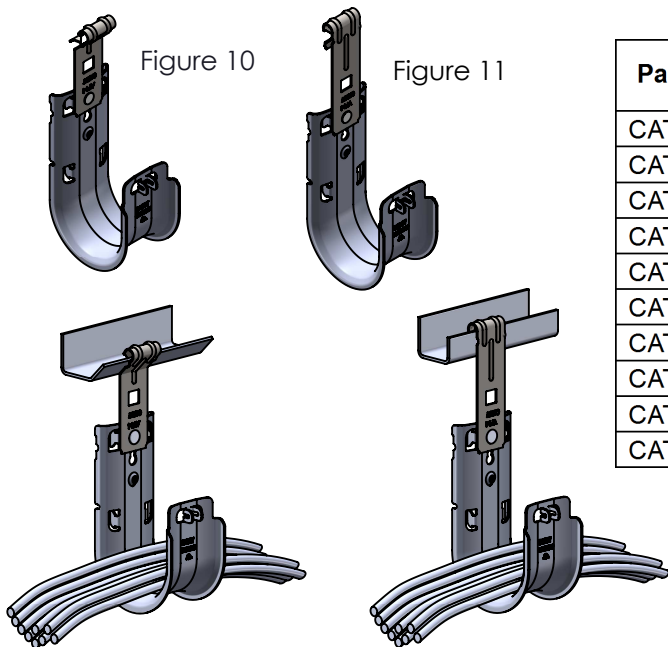
Figure 8



- 1) Place on beam and tighten screw securely (Approximately 20 in. lbs. torque)



- 2) Place cables in J-hook



Part Number	Article Number	Figure No.	Description	Load Rating	
				lbs.	N
CAT16HPAF14	181141	10	J-Hook assembled to AF14 1/16" thru 1/4" angled flange	60	267
CAT21HPAF14	181248				
CAT32HPAF14	181142				
CAT48HPAF14	181143				
CAT64HPAF14	181144	11	J-Hook assembled to VF14 1/16" thru 1/4" vertical flange	60	267
CAT16HPVF14	181145				
CAT21HPVF14	181249				
CAT32HPVF14	181146				
CAT48HPVF14	181147				
CAT64HPVF14	181148				

- 1) With hammer, tap clip onto flange
- 2) Place cables in J-hook

Purlin

Part Number	Article Number	Figure No.	Description	Load Rating	
				lbs.	N
CAT16HP123	181262	12	J-Hook assembled to 123 1/16" thru 3/32" angled flange	60	267
CAT21HP123	181263				
CAT32HP123	181264				
CAT48HP123	181265				
CAT64HP123	181266				

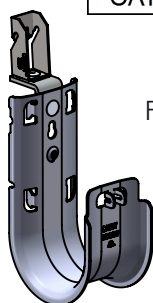
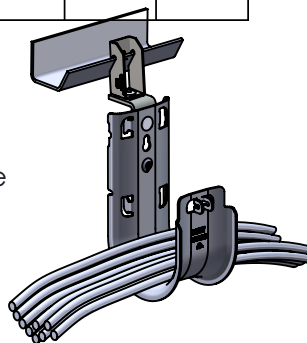


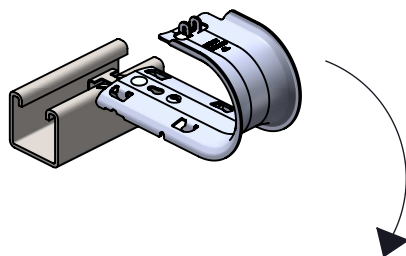
Fig. 12

- 1) Hand push clip onto flange
- 2) Place cables in J-hook



Strut

Part Number	Article Number	Figure No.	Description	Load Rating	
				lbs.	N
CAT16HPESC	181022	13	J-Hook assembled to ESC channel strut	60	267
CAT21HPESC	181261				
CAT32HPESC	181023				



1. Position clip onto strut.
2. Rotate downwards until secure on strut.

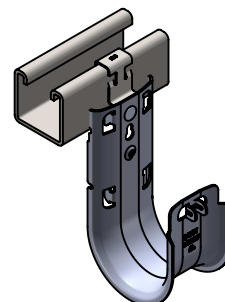


Fig. 13

Part Number	Article Number	Figure No.	Description	Load Rating	
				lbs.	N
CAT16HPBC26	181163	14	J-Hook assembled to BC26 1/8" thru 1/2" flange	60	267
CAT21HPBC26	181164				
CAT32HPBC26	181165				
CAT48HPBC26	181166				
CAT64HPBC26	181167				

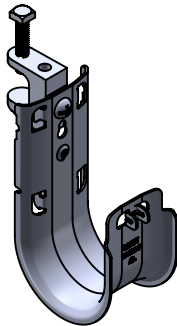


Fig. 14

1. Place on beam and tighten screw securely (Approximately 40 in. lbs. torque)
2. Place cables in J-hook

