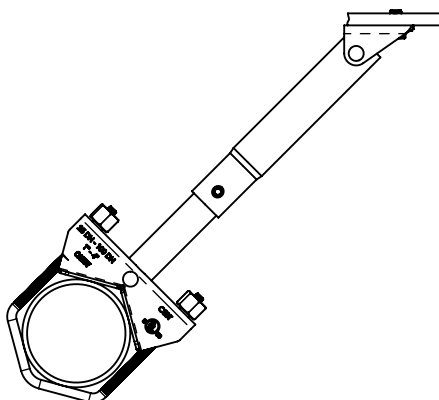
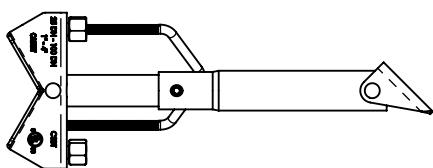


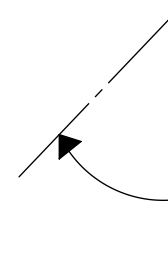
# CSBT

## Lateral Telescoping Brace Assembly

Part Number	Article Number	Fastener Hole Diameter Inch[mm]	Brace Length Range ft [m]	UL® Load Rating lbs. (N)
CSBT1	404300	1/2 [12]	1' - 1.5' [.30 - .46]	1300 (5780)
CSBT2	404301	1/2 [12]	1.5' - 3' [.46 - .91]	1300 (5780)
CSBT3	404302	1/2 [12]	3' - 5.5' [.91 - 1.68]	1300 (5780)
CSBT4	404303	1/2 [12]	5.5' - 7' [1.68 - 2.13]	1300 (5780)



Installation Angle  
from Vertical



Sway Brace assemblies are intended to be installed in accordance with NFPA-13 and the manufacturer's installation instructions. The required type, number, and size of fasteners used for the structure attachment fitting shall be in accordance with NFPA-13.

**WARNING:**

1. nVent products shall be installed and used only as indicated in nVent product instruction sheets and training materials. Instruction sheets are available at [www.nVent.com](http://www.nVent.com) and from your nVent customer service representative.
2. nVent products must never be used for a purpose other than the purpose for which they were designed or in a manner that exceeds specified load ratings.
3. All instructions must be completely followed to ensure proper and safe installation and performance.
4. Improper installation, misuse, misapplication or other failure to completely follow nVent's instructions and warnings may cause product malfunction, property damage, serious bodily injury and/or death, and void your warranty.
5. Products that are manufactured using spring steel components shall be used only in a non-corrosive indoor environment.
6. All pipe supports, hangers, intermediate components and structural attachments must **ONLY** be used as described herein and are **NEVER** to be used for any other purpose.

NOTE: All load ratings are for static conditions and do not account for dynamic loading such as wind, water or seismic loads, unless otherwise noted.

The customer is responsible for:

- a. Conformance to all governing codes.
- b. The integrity of structures to which the products are attached, including their capability of safely accepting the loads imposed, as evaluated by a qualified engineer.
- c. Using appropriate industry standard hardware as noted above.

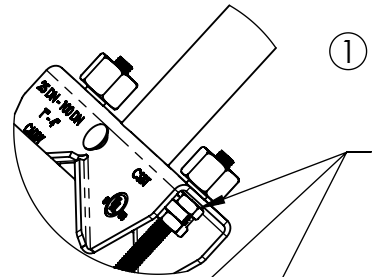
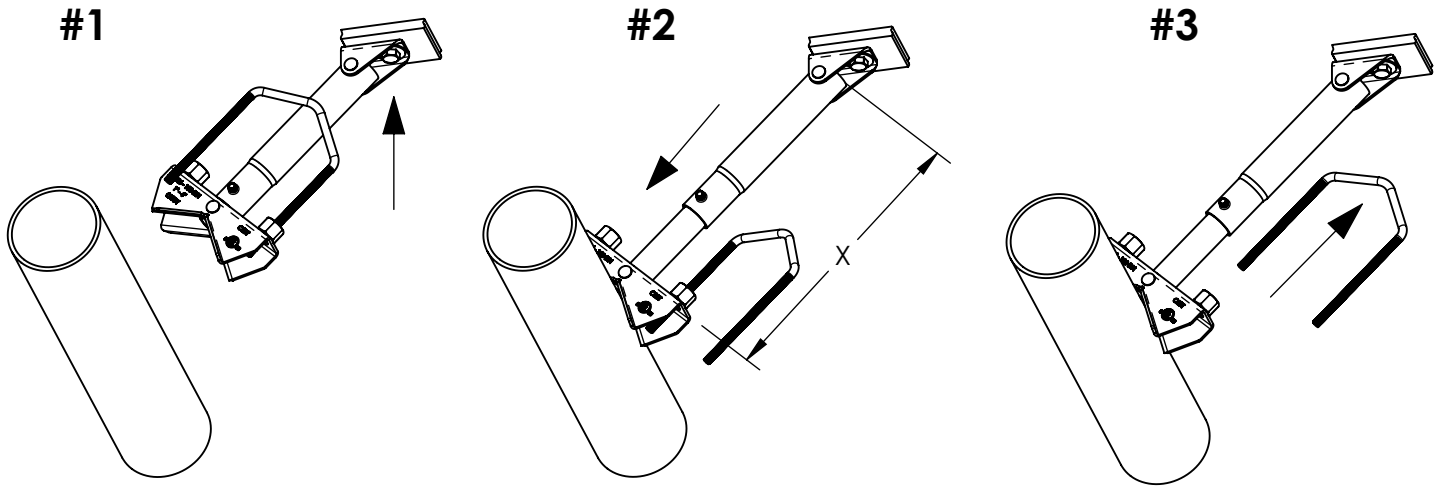
**SAFETY INSTRUCTIONS:**

All governing codes and regulations and those required by the job site must be observed. Always use appropriate safety equipment such as eye protection, hard hat, and gloves as appropriate to the application.

NFPA is a registered trademark of National Fire Protection Association, Inc.  
UL is a registered trademark of UL, LLC.

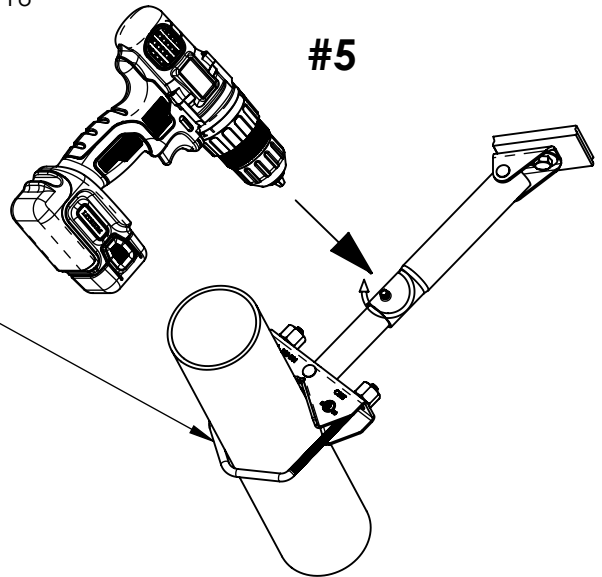
nVent, CADDY, ERICO CADWELD, ERICO CRITEC, ERICO, ERIFLEX, and LENTON are owned by nVent or its global affiliates. All other trademarks are the property of their respective owners. nVent reserves the right to change specifications without prior notice.

# CSBT Lateral Telescoping Brace Assembly

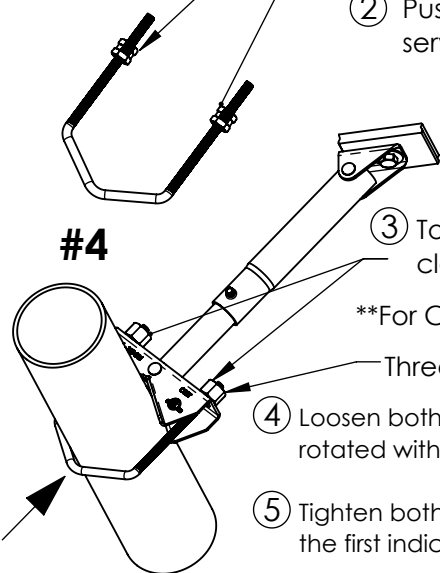


① **\*\*For CPVC, install SN37 nuts or 3/8-16 Hex Nuts on both sides of V-bolt so that they do not interfere with the remaining steps. SN37 nuts cannot be used with 1" pipe.\*\***

② Push clamp evenly until touching service pipe in two places



#5



#4

③ Torque ROD LOCK nuts to 7 in-lbs clockwise (1/4 turn minimum)

**\*\*For CPVC follow Steps ④ - ⑦\*\***

Thread visible

④ Loosen both ROD LOCK nuts so that they can be rotated with fingers with no resistance

⑤ Tighten both ROD LOCK nuts with fingers and stop at the first indication of resistance on each nut

⑥ Loosen both ROD LOCK nuts an additional 1/4 turn to remove any compressive load on CPVC pipe from V-bolt

⑦ Rotate the SN37 nuts or Hex Nuts on V-bolt until they come into contact with the inner surface of the Saddle

Install with a standard screw gun with a size 5/16" [8mm] hex head tool at recommended 1800 RPM installation speed. Hex head should be seated (no thread visible).

**\*\*Standard screw gun needs clutch set or a depth sensitive nosepiece for correct seating of fastener. Not following instruction could result in shearing head off of fastener\*\***

CSBT is intended to be complete bracing assembly.

Sway Braces are intended to be installed in accordance with NFPA®-13 and the manufacturer's assembly and instructions.

nVent, CADDY, ERICO CADWELD, ERICO CRITEC, ERICO, ERIFLEX, and LENTON are owned by nVent or its global affiliates. All other trademarks are the property of their respective owners. nVent reserves the right to change specifications without prior notice.



TECHNICAL SUPPORT:  
www.nVent.com

CFS525\_G

2 OF 2

© 2015-2019 nVent All Rights Reserved

