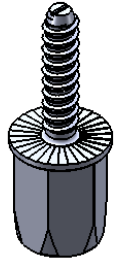


# CADDY® ROD LOCK Anchor Screw



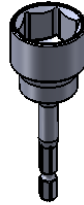
Part Number	Article Number	Rod Size	Material	Drill Bit Size	Drill Hole Depth	Ultimate Pullout	Allowable Pullout	Socket Size
CRLA37EG	N/A	3/8"	3,000 psi [20.68 Mpa] or higher concrete	5/16"	2"	2,000 lbs	667 lbs	7/8"
CRLAM8EG	390009	M8		8mm	50mm	8,800N	2,933 N	22mm
CRLAM10EG	390010	M10		8mm	50mm	8,800N	2,933 N	22mm
CRLA37EG	N/A	3/8"	Soft Wood	9/32"	2"	2,000 lbs	667 lbs	7/8"
			Hard Wood	9/32"		2,000 lbs	667 lbs	
				5/16"		1,750 lbs	583 lbs	

Not for use with hot dip galvanized hardware/components

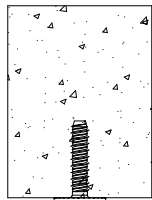
## FM® Approved only on Concrete

Part Number	Article Number	Rod Size	FM Load	FM Maximum Pipe Size
CRLA37EG	N/A	3/8"	1,475 lbs	4"
CRLAM10EG	390010	M10	6,550N	DN100

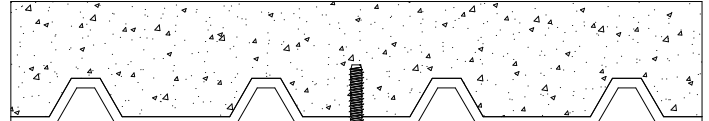
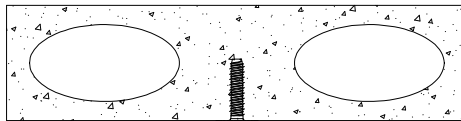
Kit Part Number	Description
CRLAKITA	22mm CADDY ROD LOCK Drive Socket Kit (purchased separately)



**CRLAKITA**



Load



**WARNING:**

1. ERICO products shall be installed and used only as indicated in ERICO product instruction sheets and training materials. Instruction sheets are available at [www.erico.com](http://www.erico.com) and from your ERICO customer service representative.
2. ERICO products must never be used for a purpose other than the purpose for which they were designed or in a manner that exceeds specified load ratings.
3. All instructions must be completely followed to ensure proper and safe installation and performance.
4. Improper installation, misuse, misapplication or other failure to completely follow ERICO's instructions and warnings may cause product malfunction, property damage, serious bodily injury and death.
5. Products that are manufactured using spring steel components shall be used only in a non-corrosive indoor environment.
6. All pipe supports, hangers, intermediate components and structural attachments must ONLY be used as described herein and are NEVER to be used for any other purpose.

NOTE: All load ratings are for static conditions and do not account for dynamic loading such as wind, water or seismic loads, unless otherwise noted.

The customer is responsible for:

- a. Conformance to all governing codes.
- b. The integrity of structures to which the products are attached, including their capability of safely accepting the loads imposed, as evaluated by a qualified engineer.
- c. Using appropriate industry standard hardware as noted above.

**SAFETY INSTRUCTIONS:**

All governing codes and regulations and those required by the job site must be observed. Always use appropriate safety equipment such as eye protection, hard hat, and gloves as appropriate to the application.



CADDY, CADWELD, CRITEC, ERICO, ERIFLEX, ERITECH, and LENTON are registered trademarks of ERICO International Corporation.

FM is a registered certification mark of FM Approvals LLC, LTD

TECHNICAL SUPPORT:  
[www.erico.com](http://www.erico.com)

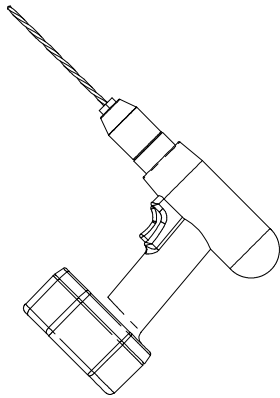
CFS414\_E

1 OF 2

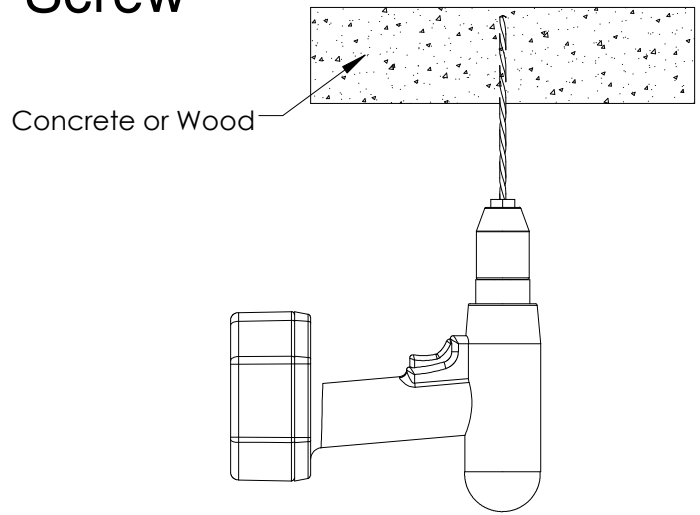
© 2009, 2010, 2014, 2015 ERICO International Corporation



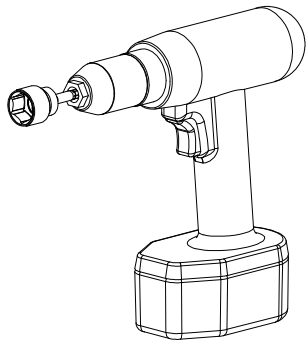
# CADDY® ROD LOCK Anchor Screw



Use the right drill bit size per Table.

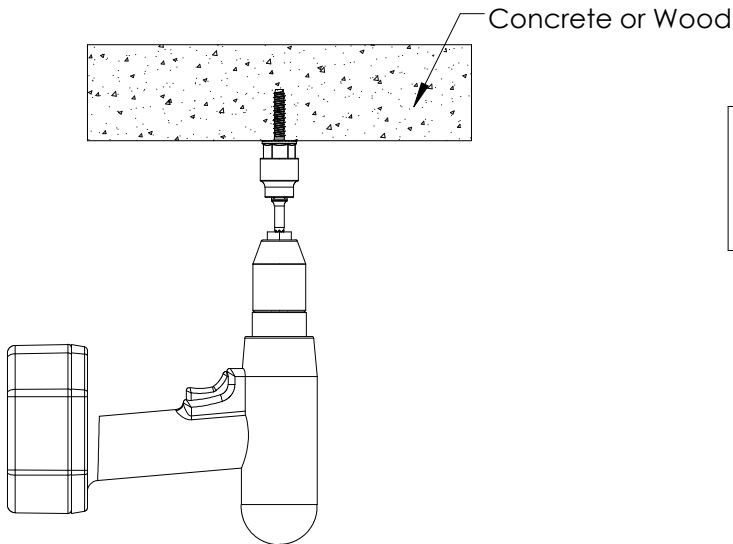
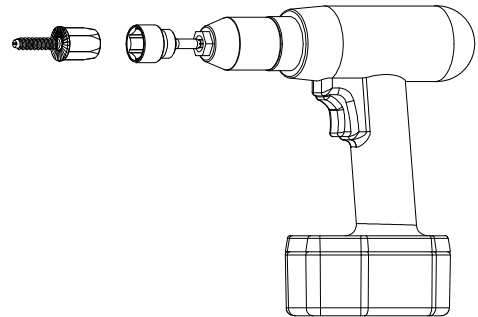


Drill hole depth - 2" or 50 mm per Table.  
Suggested drill speed: 1000-1300 rpm



Use CRLAKITA kit (Purchased Separately) or  
use a 7/8" or 22 mm socket per Table.

CADDY® ROD LOCK  
Anchor Screw



Suggested speed: 1000-1300 rpm.

