

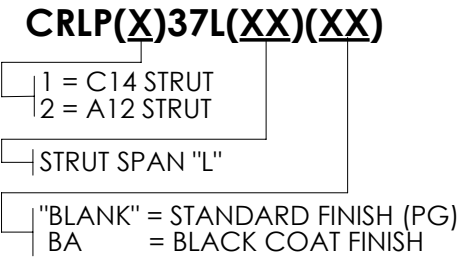
CADDY ROD LOCK Strut

3/8", A12 & C14 Strut, 14" - 50" span

Part Number SEE NOTE 1	Rod Size	Strut Type	Span L Between Two Rods in [mm]	Overall Strut Length L1 in [mm]	F* lbs [N]
CRLP137L14XX	3/8"	C14	14 [356]	16 [406]	789 [3,510]
CRLP137L18XX			18 [457]	20 [508]	613 [2,727]
CRLP137L22XX			22 [559]	24 [610]	494 [2,197]
CRLP137L26XX			26 [660]	28 [711]	354 [1,575]
CRLP137L38XX			38 [965]	40 [1,016]	166 [738]
CRLP237L14XX		A12	14 [356]	16 [406]	2,668 [11,868]
CRLP237L18XX			18 [457]	20 [508]	2,075 [9,230]
CRLP237L22XX			22 [559]	24 [610]	1,698 [7,553]
CRLP237L26XX			26 [660]	28 [711]	1,437 [6,392]
CRLP237L38XX			38 [965]	40 [1,016]	983 [4,373]
CRLP237L50XX			50 [1,270]	52 [1,320]	642 [2,856]

*Capacity ratings for strut (F) assumes a uniformly distributed load and includes a hole factor of 0.92. The load applied to CADDY ROD LOCK Strut should include a factor of safety appropriate for the application in which the strut is being used. For indoor applications only.

NOTE 1:
PART NUMBERING SCHEME:



Note 2: Product must be installed with the open side of the channel facing up. See Figure 1.

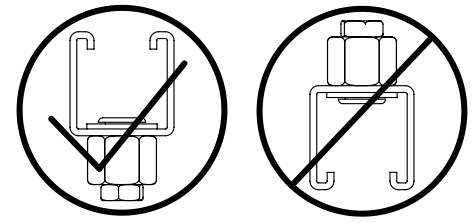
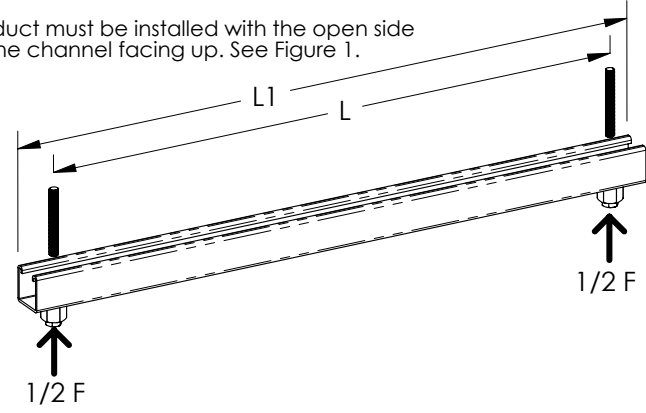
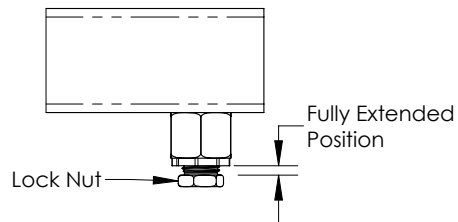


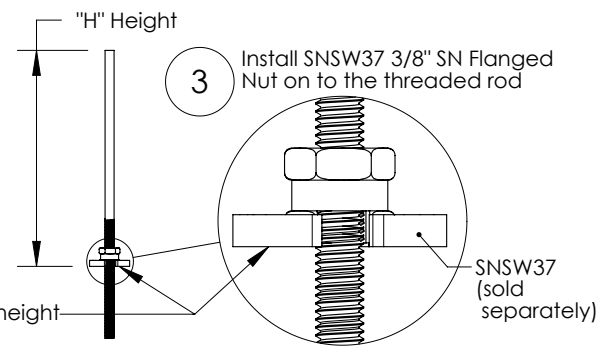
FIGURE 1

Recommended installation method using SNSW37

1 Rotate the lock nut counter clockwise until reaches the fully extended position



2 Measure & mark the threaded rod at the desired height of the top surface of the strut.



- WARNING:**
- Pentair products shall be installed and used only as indicated in Pentair product instruction sheets and training materials. Instruction sheets are available at www.erico.pentair.com and from your Pentair customer service representative.
 - PENTAIR products must never be used for a purpose other than the purpose for which they were designed or in a manner that exceeds specified load ratings.
 - All instructions must be completely followed to ensure proper and safe installation and performance.
 - Improper installation, misuse, misapplication or other failure to completely follow Pentair's instructions and warnings may cause product malfunction, property damage, serious bodily injury and/or death, and void your warranty.
 - Products that are manufactured using spring steel components shall be used only in a non-corrosive indoor environment.
 - All pipe supports, hangers, intermediate components and structural attachments must **ONLY** be used as described herein and are **NEVER** to be used for any other purpose.

NOTE: All load ratings are for static conditions and do not account for dynamic loading such as wind, water or seismic loads, unless otherwise noted.

- The customer is responsible for:
- Conformance to all governing codes.
 - The integrity of structures to which the products are attached, including their capability of safely accepting the loads imposed, as evaluated by a qualified engineer.
 - Using appropriate industry standard hardware as noted above.

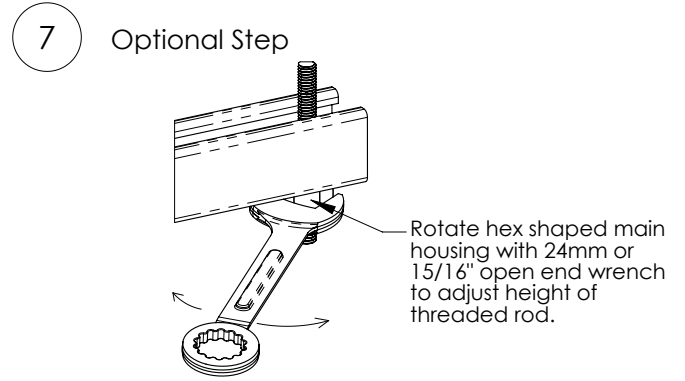
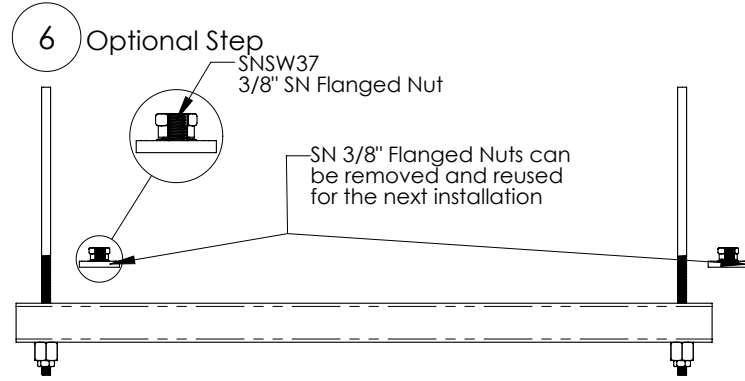
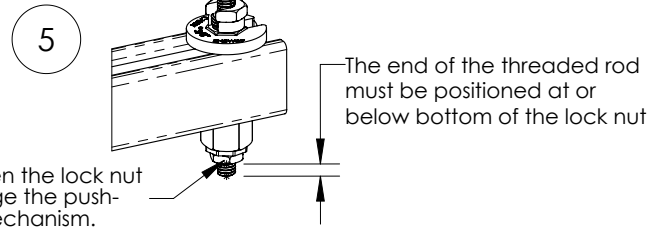
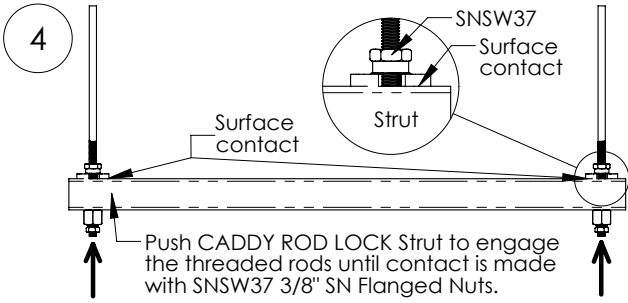
SAFETY INSTRUCTIONS:
All governing codes and regulations and those required by the job site must be observed. Always use appropriate safety equipment such as eye protection, hard hat, and gloves as appropriate to the application.

Pentair, CADDY, ERICO CADWELD, ERICO CRITEC, ERICO, ERIFLEX, and LENTON are owned by Pentair or its global affiliates. All other trademarks are the property of their respective owners. Pentair reserves the right to change specifications without prior notice.

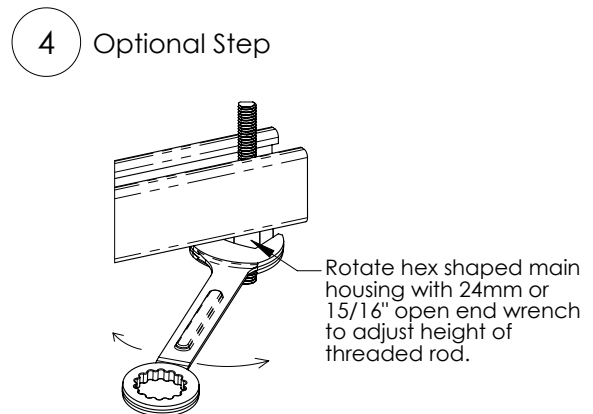
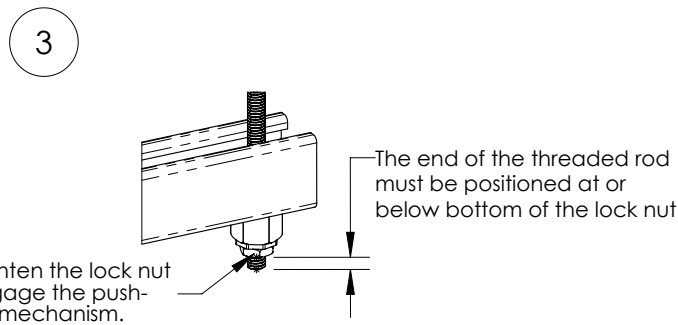
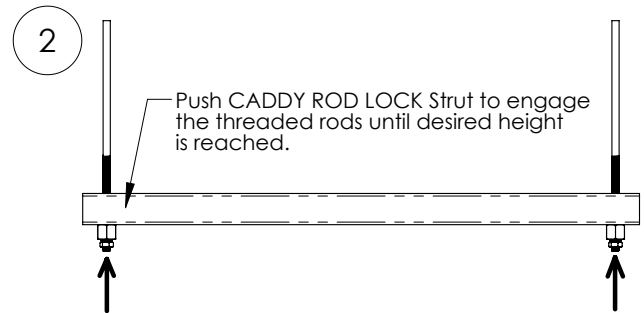
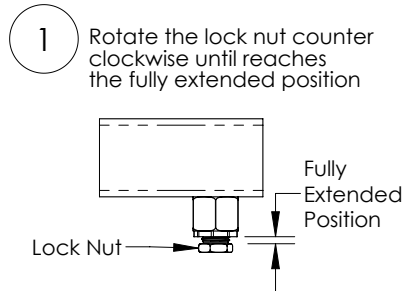


CADDY ROD LOCK Strut

3/8", A12 & C14 Strut, 14" - 50" span



General installation method without using SNSW37



Pentair, CADDY, ERICO CADWELD, ERICO CRITEC, ERICO, ERIFLEX, and LENTON are owned by Pentair or its global affiliates. All other trademarks are the property of their respective owners. Pentair reserves the right to change specifications without prior notice.