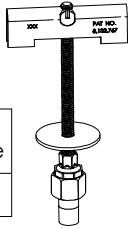


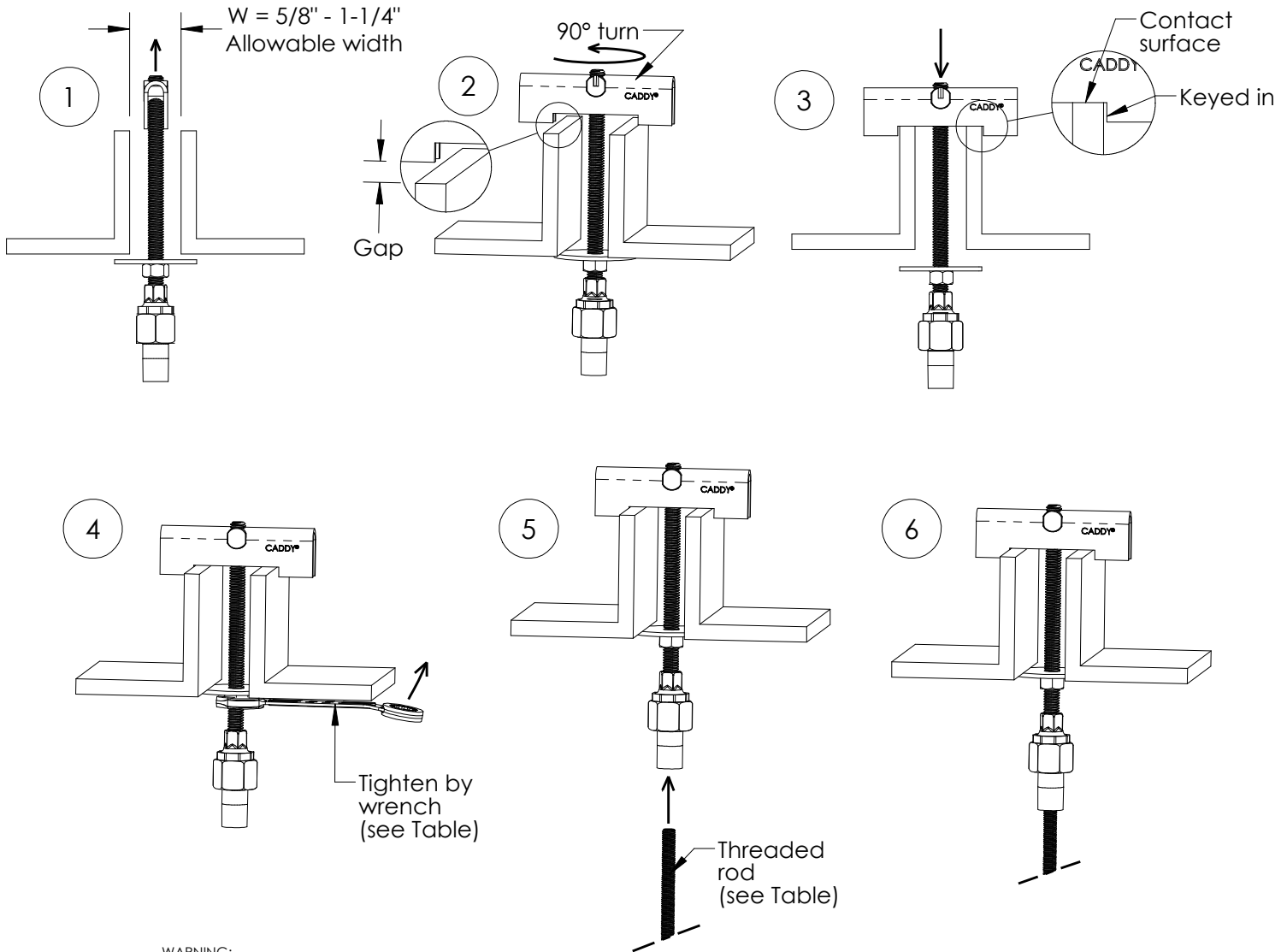
# CADDY® ROD LOCK Bar-Joist Hanger 3/8"



Part Number	Rod Size	Description	Rod Material Grade	Load Rating (3.5:1 safety factor)	Bar-Joist allowable gap width W	Wrench Size	Wrench Tightening Torque
CRLJ37EG	3/8"	3/8" CADDY ROD LOCK Bar-Joist Hanger	Grade 2 or higher	1,000 lbs	5/8" Min - 1-1/4" Max	9/16"	60 in-lbs

For indoor applications only.

## Lower Truss Chord Installation



**WARNING:**

1. ERICO products shall be installed and used only as indicated in ERICO product instruction sheets and training materials. Instruction sheets are available at [www.ericointernational.com](http://www.ericointernational.com) and from your ERICO customer service representative.
2. ERICO products must never be used for a purpose other than the purpose for which they were designed or in a manner that exceeds specified load ratings.
3. All instructions must be completely followed to ensure proper and safe installation and performance.
4. Improper installation, misuse, misapplication or other failure to completely follow ERICO's instructions and warnings may cause product malfunction, property damage, serious bodily injury and death.
5. Products that are manufactured using spring steel components shall be used only in a non-corrosive indoor environment.
6. All pipe supports, hangers, intermediate components and structural attachments must **ONLY** be used as described herein and are **NEVER** to be used for any other purpose.

NOTE: All load ratings are for static conditions and do not account for dynamic loading such as wind, water or seismic loads, unless otherwise noted.

The customer is responsible for:

- a. Conformance to all governing codes.
- b. The integrity of structures to which the products are attached, including their capability of safely accepting the loads imposed, as evaluated by a qualified engineer.
- c. Using appropriate industry standard hardware as noted above.

**SAFETY INSTRUCTIONS:**

All governing codes and regulations and those required by the job site must be observed. Always use appropriate safety equipment such as eye protection, hard hat, and gloves as appropriate to the application.



CADDY, CADWELD, CRITEC, ERICO, ERIFLEX, ERITECH, and LENTON are registered trademarks of ERICO International Corporation.

TECHNICAL SUPPORT:  
[www.ericointernational.com](http://www.ericointernational.com)

CFS523\_A

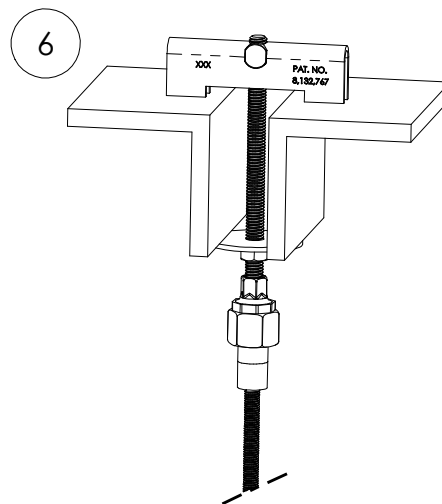
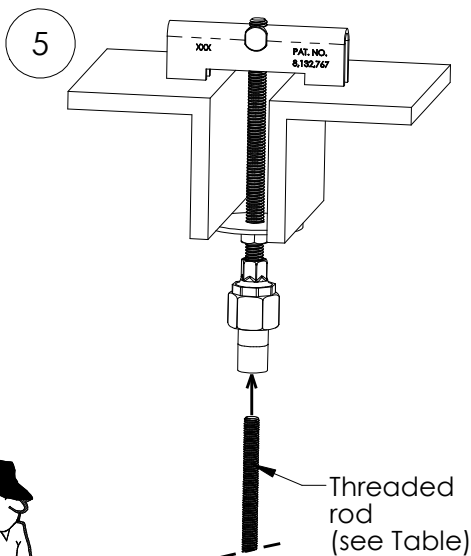
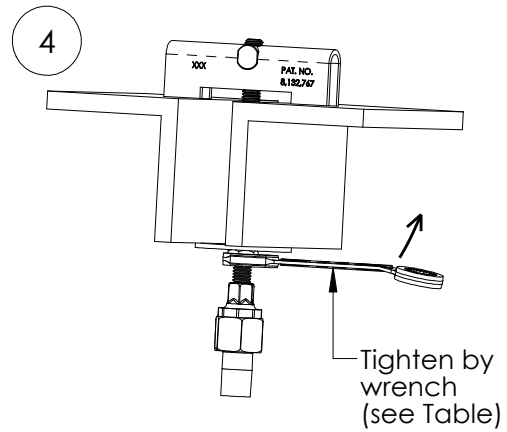
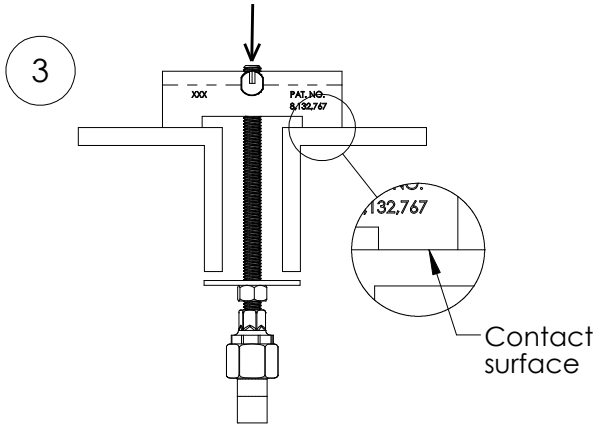
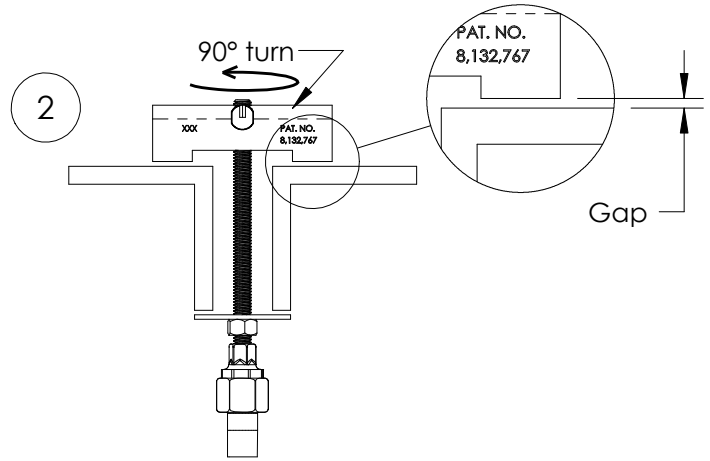
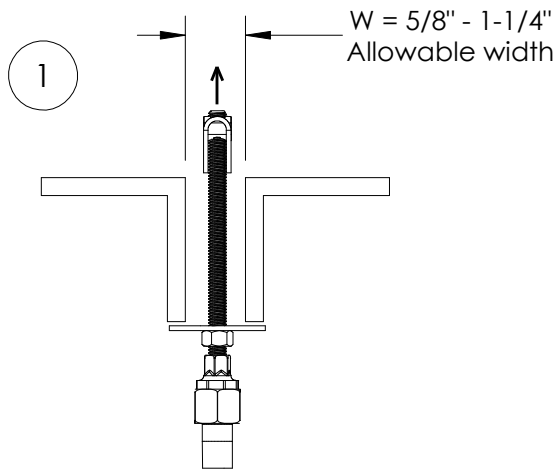
1 OF 2

© 2015 ERICO International Corporation.



# CADDY® ROD LOCK Bar-Joist Hanger 3/8"

## Upper Truss Chord Installation



CADDY, CADWELD, CRITEC, ERICO, ERIFLEX, ERITECH, and LENTON are registered trademarks of ERICO International Corporation.

TECHNICAL SUPPORT:  
www.erico.com

CFS523\_A

2 OF 2

© 2015 ERICO International Corporation.

