

Wire Basket Support Side Mount Clip - WBS

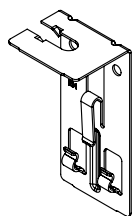
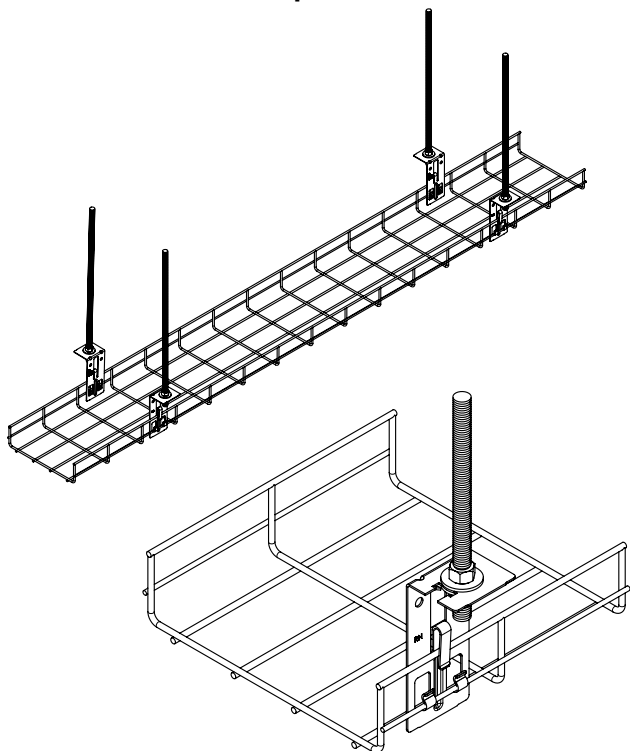


Figure A
90° Slot

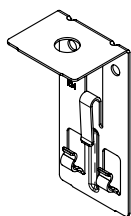


Figure B
90° Hole

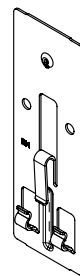


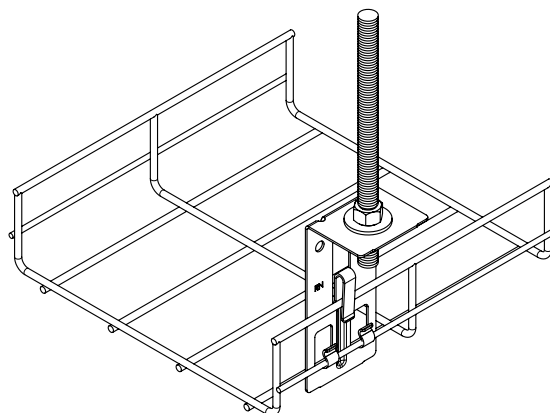
Figure C
Flat



Figure D
nVent CADDY
Rod Lock



Figure E
Rivet Nut



Part Number	Description	Hole or Thread Impression	Form	Figure	Load Rating*
WBS1	3/8", Bent, Slot	0.410 [10.41] Slot	90° Bend	A	120 lbs
WBS2	1/2", Bent, Hole	0.540 [13.72] Hole	90° Bend	B	120 lbs
WBSH25	1/4" Thread Impression, Flat	1/4-20 Thread Impression	Flat	C	120 lbs
WBSHM6	M6 Thread Impression, Flat	M6x1 Thread Impression	Flat	C	120 lbs
WBSXXXRL	3/8", M8, M10 nVent CADDY Rod Lock	See chart on reverse side	90° Bend	D	120 lbs
WBS37	3/8", Bent, Rivet Nut	3/8-16 Rivet Nut	90° Bend	E	120 lbs
WBSM8	M8, Bent, Rivet Nut	M8x1.25 Rivet Nut	90° Bend	E	120 lbs
WBSM10	M10, Bent, Rivet Nut	M10x1.5 Rivet Nut	90° Bend	E	120 lbs

* Load ratings are working loads with 3:1 Safety Factor

WARNING:

1. nVent products shall be installed and used only as indicated in nVent product instruction sheets and training materials. Instruction sheets are available at www.nVent.com and from your nVent customer service representative.
2. nVent products must never be used for a purpose other than the purpose for which they were designed or in a manner that exceeds specified load ratings.
3. All instructions must be **completely** followed to ensure proper and safe installation and performance.
4. Improper installation, misuse, misapplication or other failure to completely follow nVent's instructions and warnings may cause product malfunction, property damage, serious bodily injury and/or death, and void your warranty.
5. Products that are manufactured using spring steel components shall be used only in a non-corrosive indoor environment.
6. All pipe supports, hangers, intermediate components and structural attachments must **ONLY** be used as described herein and are **NEVER** to be used for any other purpose.

NOTE: All load ratings are for static conditions and do not account for dynamic loading such as wind, water or seismic loads, unless otherwise noted.

The customer is responsible for:

- a. Conformance to all governing codes.
- b. The integrity of structures to which the products are attached, including their capability of safely accepting the loads imposed, as evaluated by a qualified engineer.
- c. Using appropriate industry standard hardware as noted above.

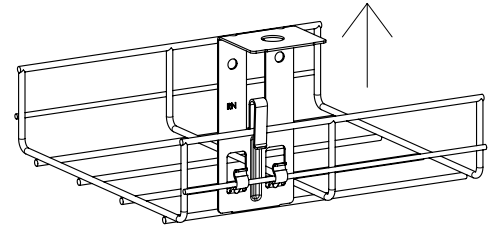
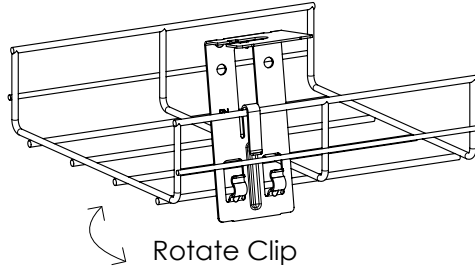
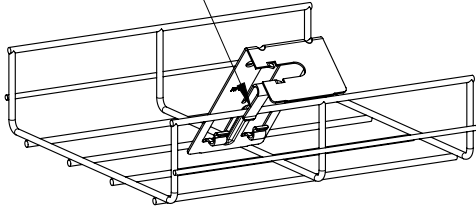
SAFETY INSTRUCTIONS:

All governing codes and regulations and those required by the job site must be observed. Always use appropriate safety equipment such as eye protection, hard hat, and gloves as appropriate to the application.

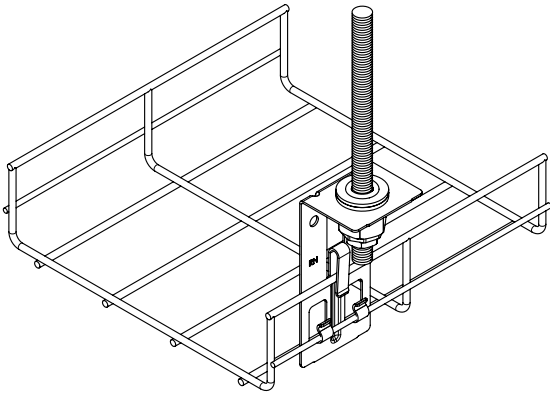
nVent, nVent CADDY, nVent ERICO Cadweld, nVent ERICO Critec, nVent ERICO, nVent ERIFLEX, and nVent LENTON are owned by nVent or its global affiliates. All other trademarks are the property of their respective owners. nVent reserves the right to change specifications without prior notice.

Installation Instructions

Slide top hook over top wire

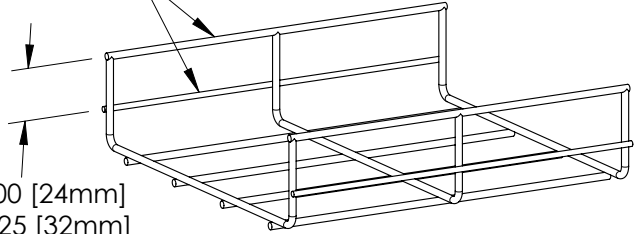


Pull straight up to engage both bottom hooks



Min. 3.5mm
Max. 6mm
Diameter Wire

Min. 1.00 [24mm]
Max. 1.25 [32mm]
Spacing



nVent CADDY Rod Lock Chart	
Part Number	Description
WBS37RL	3/8" nVent CADDY Rod Lock
WBSM8RL	M8 nVent CADDY Rod Lock
WBSM10RL	M10 nVent CADDY Rod Lock

