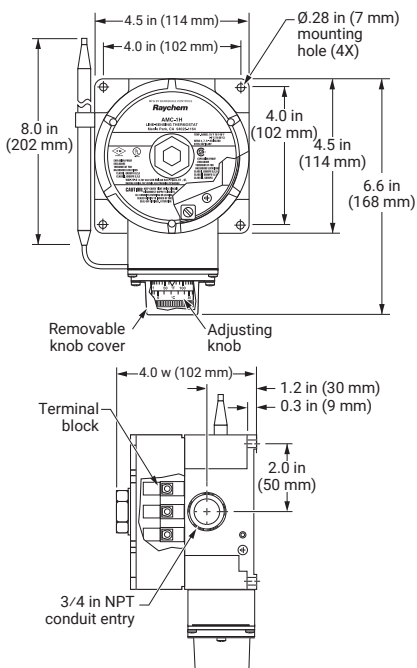
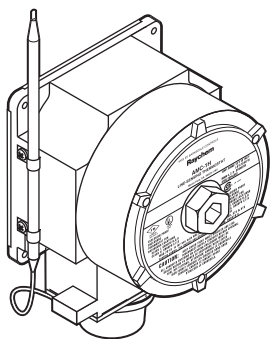




RAYCHEM

AMC-1H

Ambient-Sensing Thermostat for Hazardous Locations Installation Instructions



DESCRIPTION

The nVent RAYCHEM AMC-1H thermostat is designed for controlling freeze-protection heat-tracing circuits in hazardous locations. The thermostat responds to ambient temperature changes. The AMC-1H can be used to control a heat-tracing circuit directly (see Figure 1 on back page) or it can be used to control a contactor coil (see Figure 2).

APPROVALS

Hazardous locations



Class I, Div. 1 and 2, Groups B, C, D
Class II, Div. 1 and 2, Groups E, F, G
Class III

SPECIFICATIONS

| | |
|-------------------------|--|
| Enclosure | NEMA 4, 7, 9, lacquer-coated cast-aluminum housing, stainless-steel hardware |
| Entries | One 3/4 in. NPT conduit hub |
| Set point range | 15°F to 140°F (-9°C to 60°C) |
| Sensor exposure limits | -40°F to 160°F (-40°C to 71°C) |
| Housing exposure limits | -40°F to 140°F (-40°C to 60°C) |
| Switch | SPDT |
| Electrical rating | 22 A at 125/250/480 Vac |
| Accuracy | ±6°F (±3.3°C) |
| Deadband | 2°F to 12°F (1.1°C to 6.7°C) above actuation temperature |
| Set point repeatability | ±3°F (±1.7°C) |
| Sensor type | Fluid-filled (silicone) bulb and 9 ft (2.7 m) capillary |
| Sensor material | 300 series stainless steel |
| Connection | Screw terminals, 10-14 AWG (2-5 mm ²) terminals |

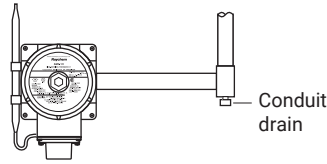
WARNING:

This component is an electrical device. It must be installed correctly to ensure proper operation and to prevent shock or fire. Read these important warnings and carefully follow all the installation instructions.

Component approvals and performance are based on the use of specified parts only. Do not use substitute parts or vinyl electrical tape to make connections.

INSTALLING THE THERMOSTAT

1. Verify that the thermostat is suitable for the area where it is to be installed.
2. Check the line voltage and the heat-tracing load to ensure that the thermostat ratings are not exceeded.
3. Mount the unit in a position that prevents condensation from draining into the enclosure from the connecting conduit (see diagram above).



POSITIONING

4. Mount ambient-sensing units in the area exposed to the coldest temperature and the most wind. **Do not mount on the side of a warm building or in a location that is exposed to warm air currents or direct sunlight.**

SETTING AND ADJUSTING

5. Set the thermostat dial to the desired temperature and finish wiring.

WIRING

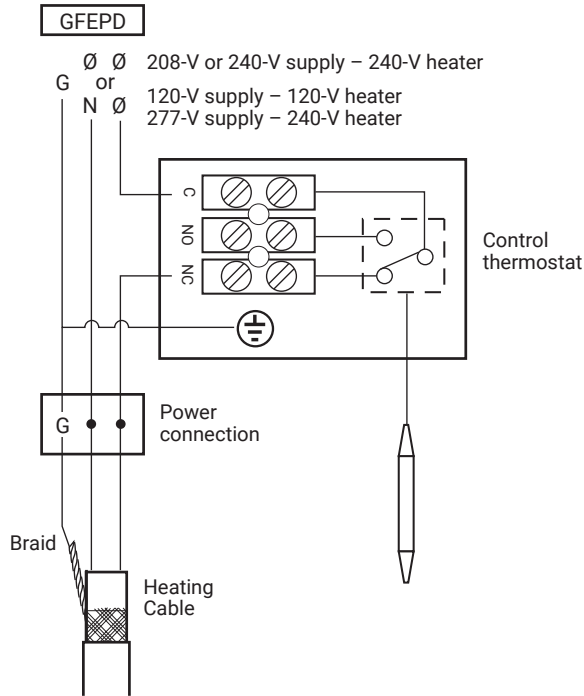


Figure 1. Heat-tracing control

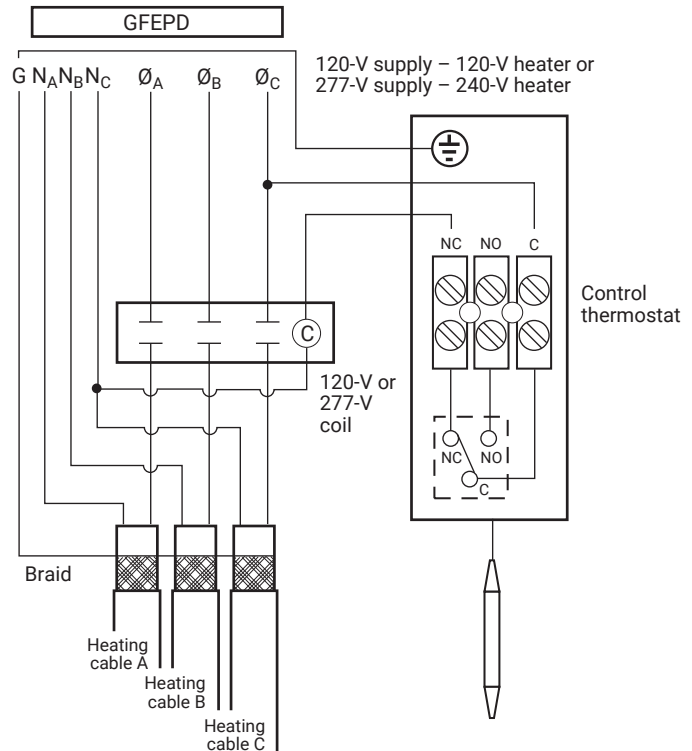


Figure 2. Controlling a contactor

For switching heat-tracing loads greater than 22 A or switching multiple heat-tracing circuits.

North America

Tel +1.800.545.6258
Fax +1.800.527.5703
thermal.info@nvent.com

Europe, Middle East, Africa

Tel +32.16.213.511
Fax +32.16.213.604
thermal.info@nvent.com

Asia Pacific

Tel +86.21.2412.1688
Fax +86.21.5426.3167
cn.thermal.info@nvent.com

Latin America

Tel +1.713.868.4800
Fax +1.713.868.2333
thermal.info@nvent.com



nVent.com