

# SWING FRAMES

---

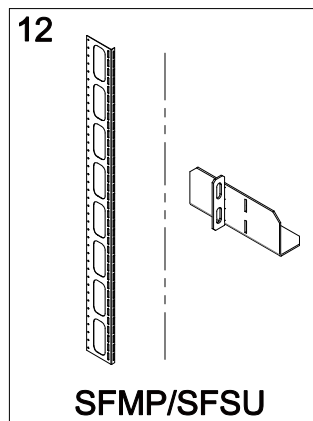
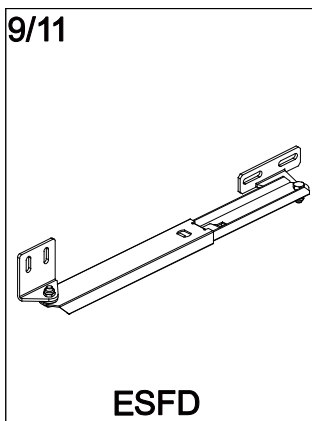
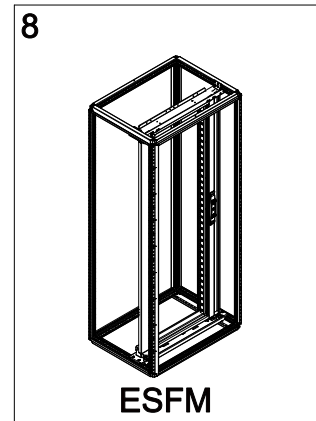
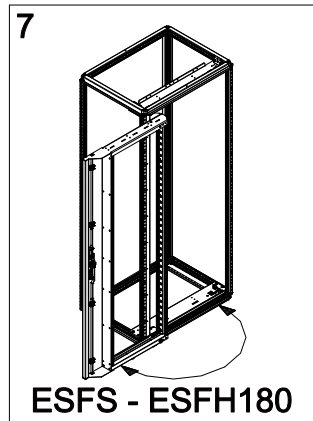
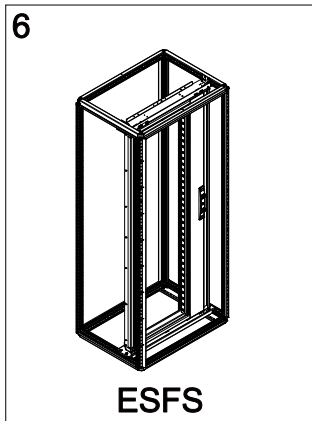
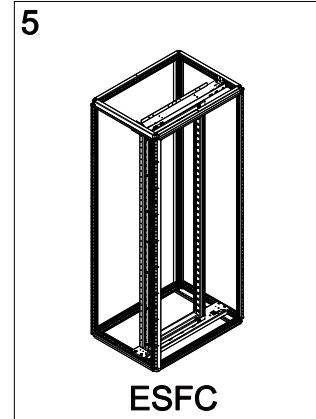
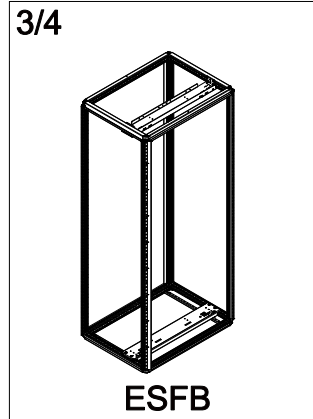
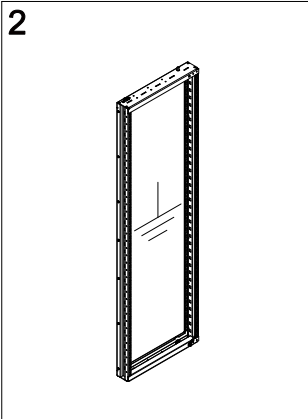
## MOUNTING INSTRUCTIONS

7697-0318-01 REV. 3



# SWING FRAMES

---

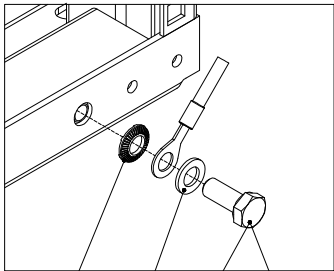
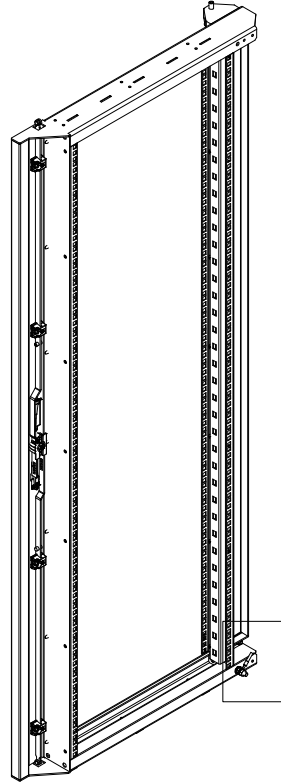
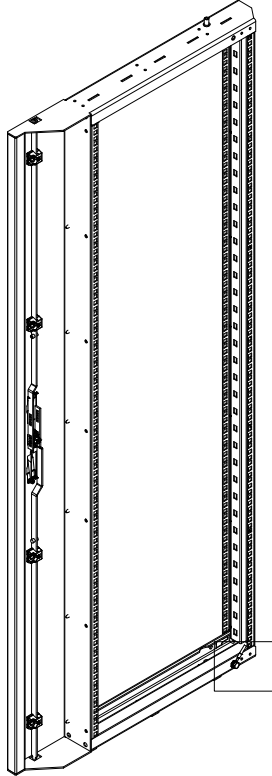
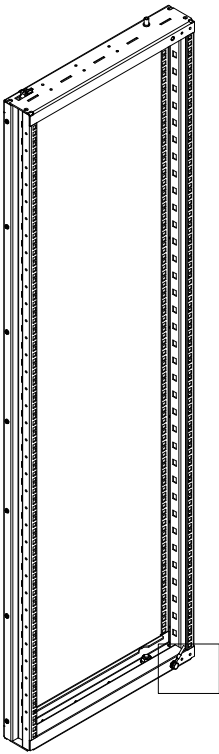


# SWING FRAMES

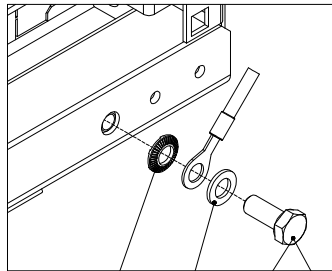


## EARTHING ECP08

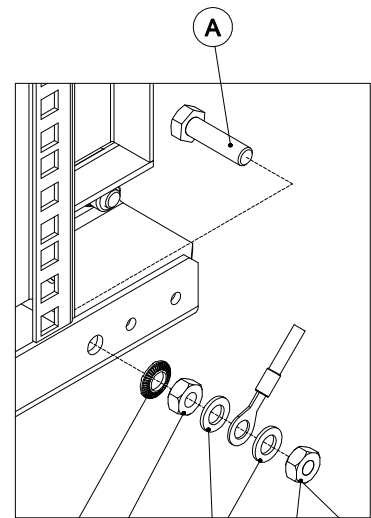
Ref.	Pic.	Qty.
A	M8x30	10
B	M8	20
C	M8	20
D	M8	20



D C A Torque 10-15 Nm



D C A Torque 10-15 Nm



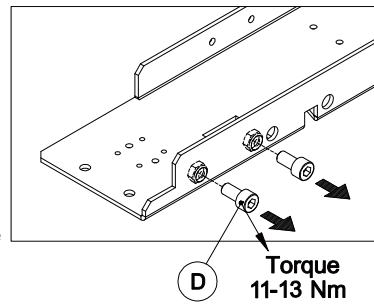
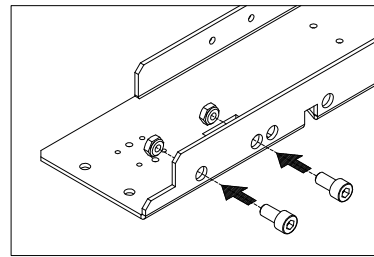
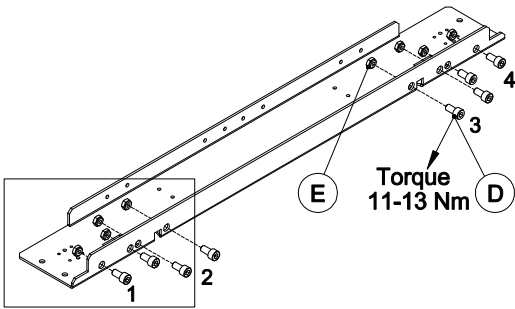
D B C B Torque 10-15 Nm

# SWING FRAMES

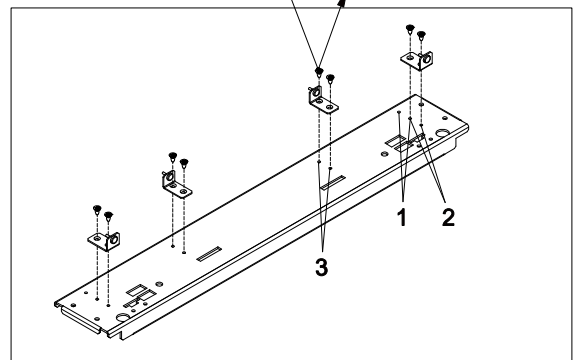
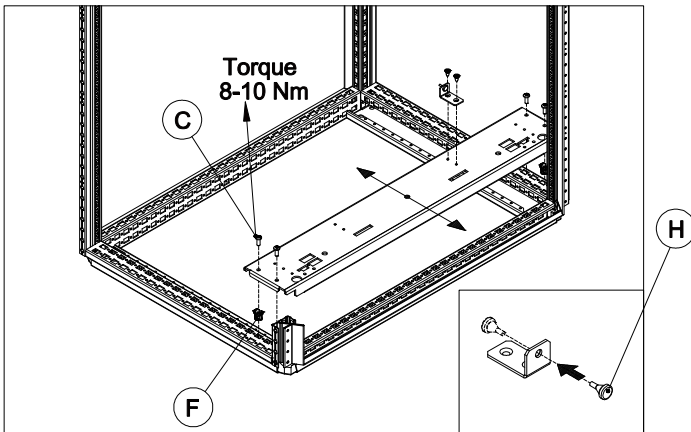
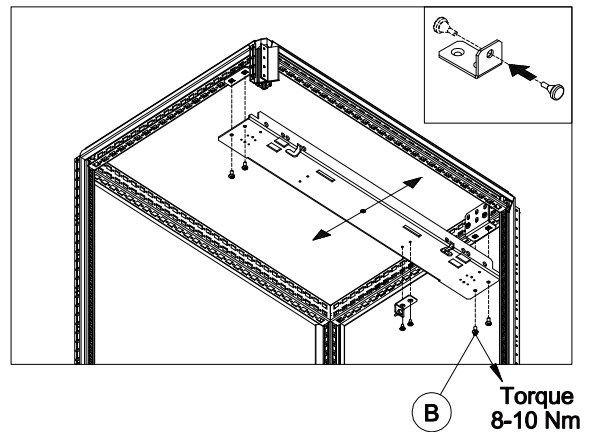
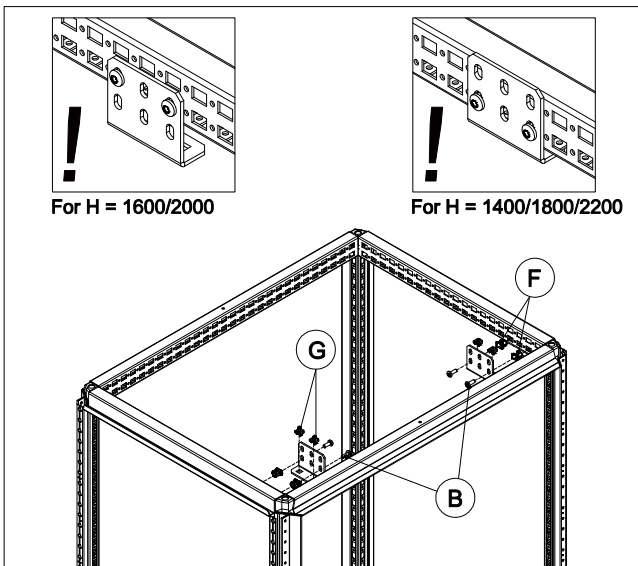


## ESFB

Ref.	Pic.	Qty.
A	M6x12	4
B	M6x16	10
C	M6x20	4
D	M8x16	2
E	M8	2
F	M6	8
G	M6	4
H		2



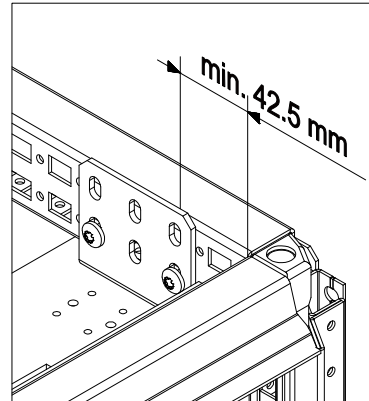
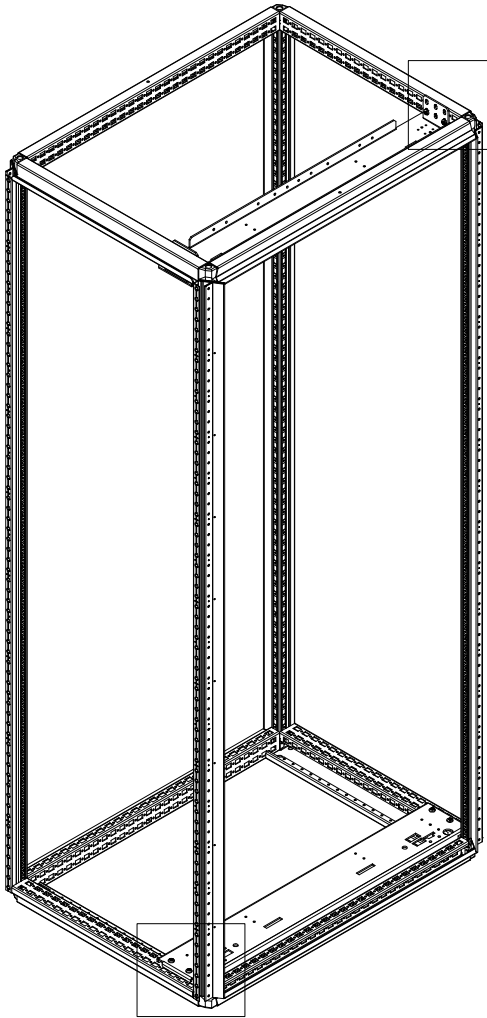
- 1 - ESFS with ESFH180, ESFM hinged on left-hand side
- 2 - ESFC, ESFS hinged on left-hand side
- 3 - ESFC, ESFS hinged on right-hand side
- 4 - ESFS with ESFH180, ESFM hinged on right-hand side



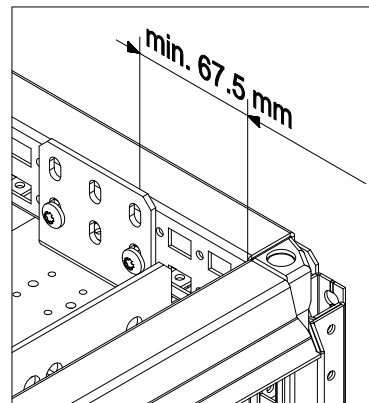
- 1 - ESFS w/o ESFH
- 2 - ESFM, ESFS with ESFH
- 3 - ESFC

# SWING FRAMES

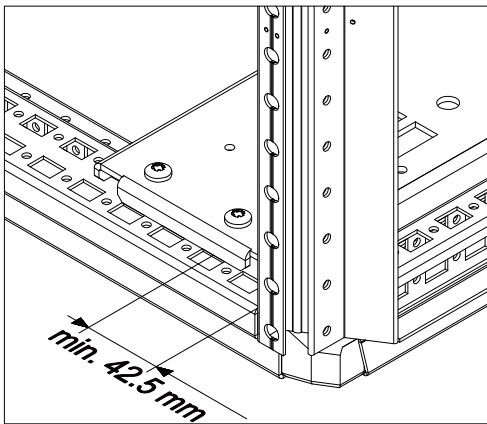
## ESFB



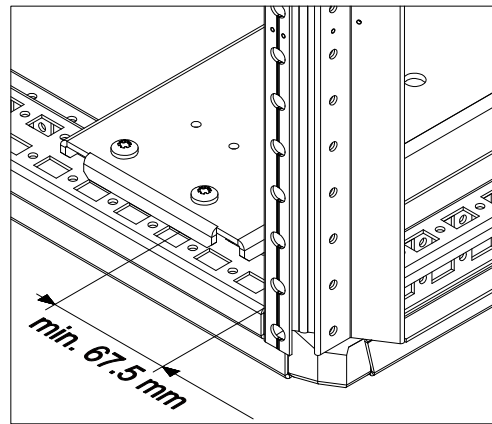
When used with ESFM, ESFS with ESFH



When used with ESFC, ESFS w/o ESFH

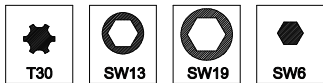


When used with ESFM, ESFS with ESFH



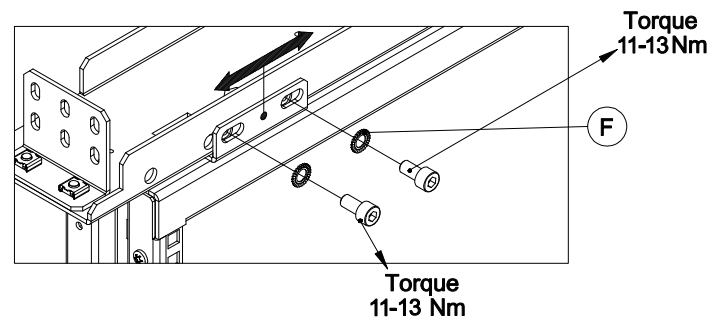
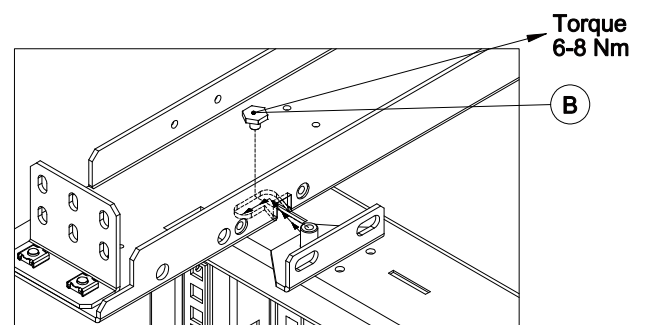
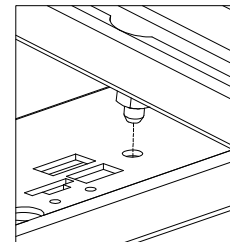
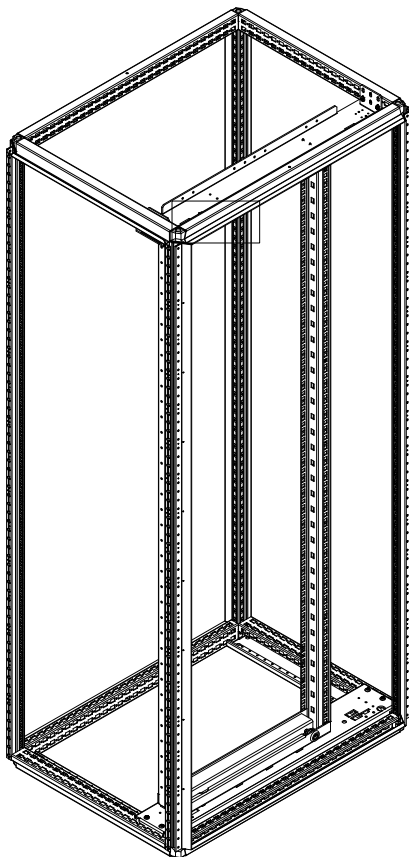
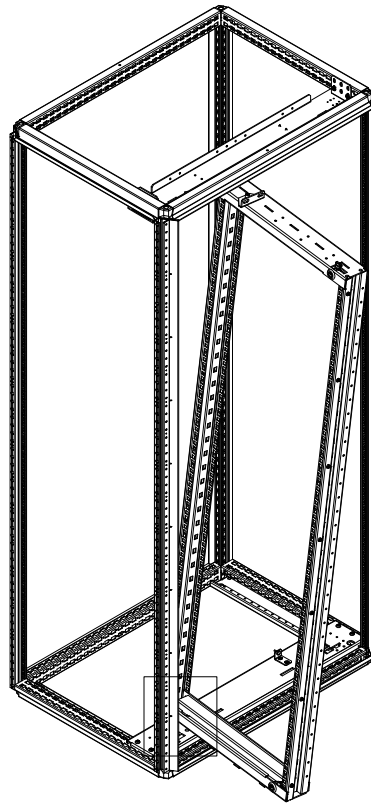
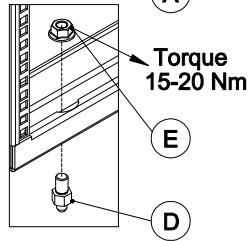
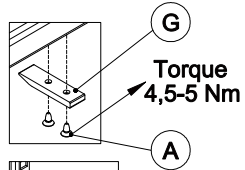
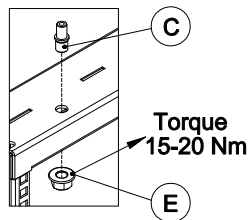
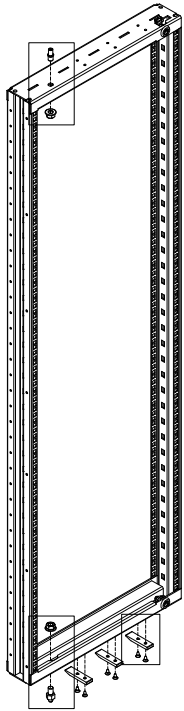
When used with ESFC, ESFS w/o ESFH

# SWING FRAMES

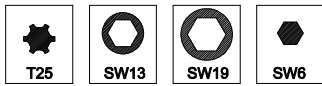


## ESFC

Ref.	Plc.	Qty.
A	M6x10	6
B	M6x5	1
C	M12	1
D	M12	1
E	M12	2
F	M8	2
G		3

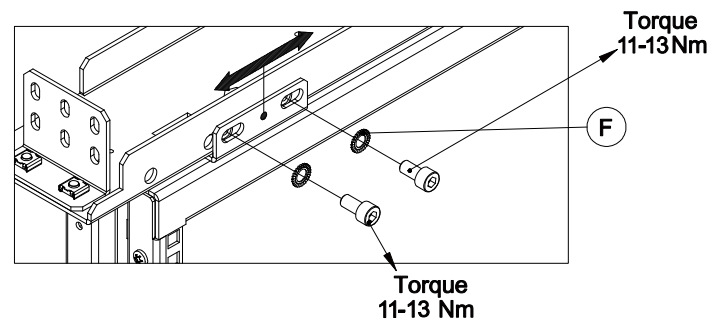
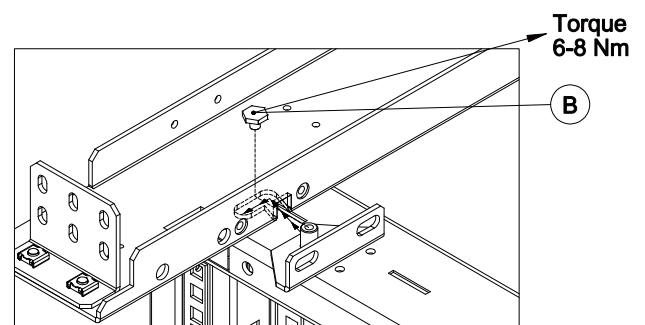
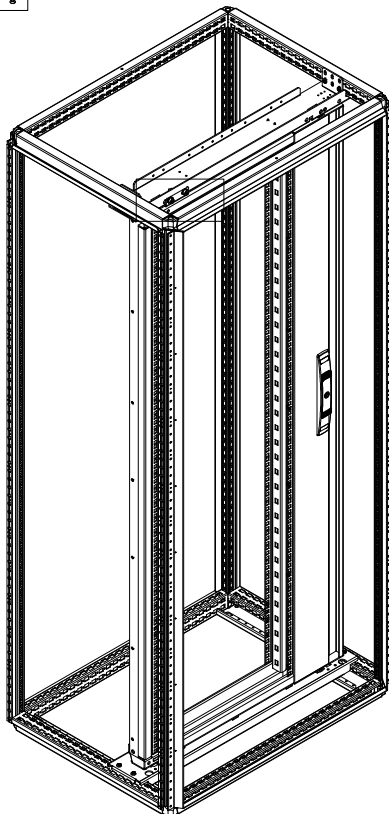
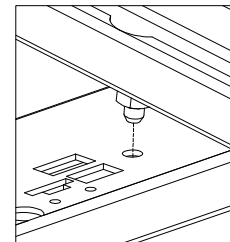
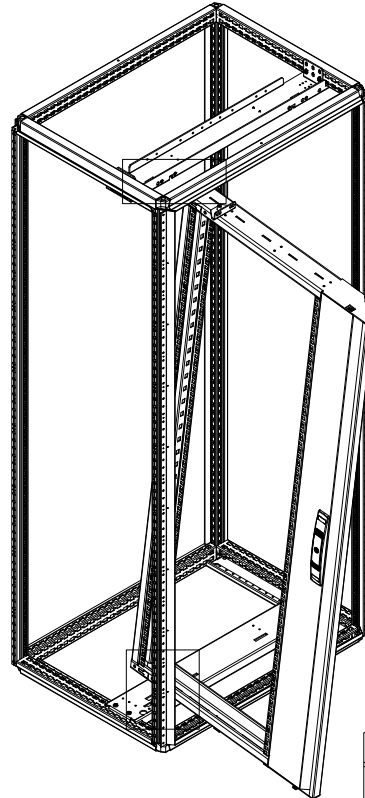
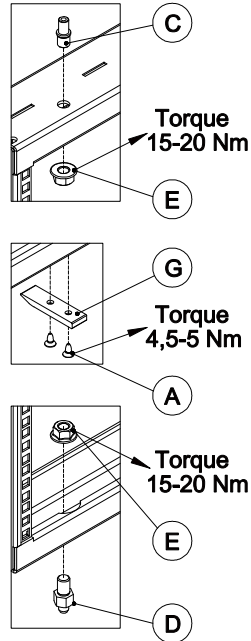
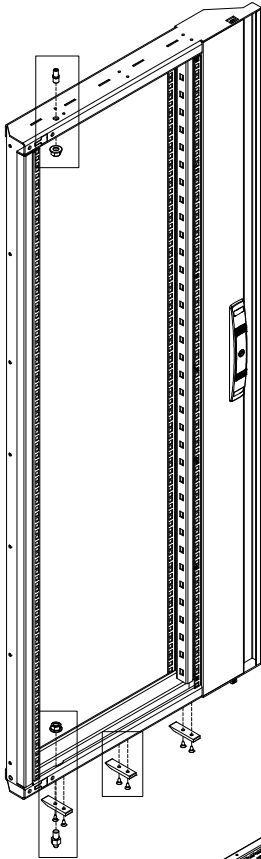


# SWING FRAMES



## ESFS

Ref.	Pic.	Qty.
A	M6x10	6
B	M6x5	1
C	M12	1
D	M12	1
E	M12	2
F	M8	2
G		3

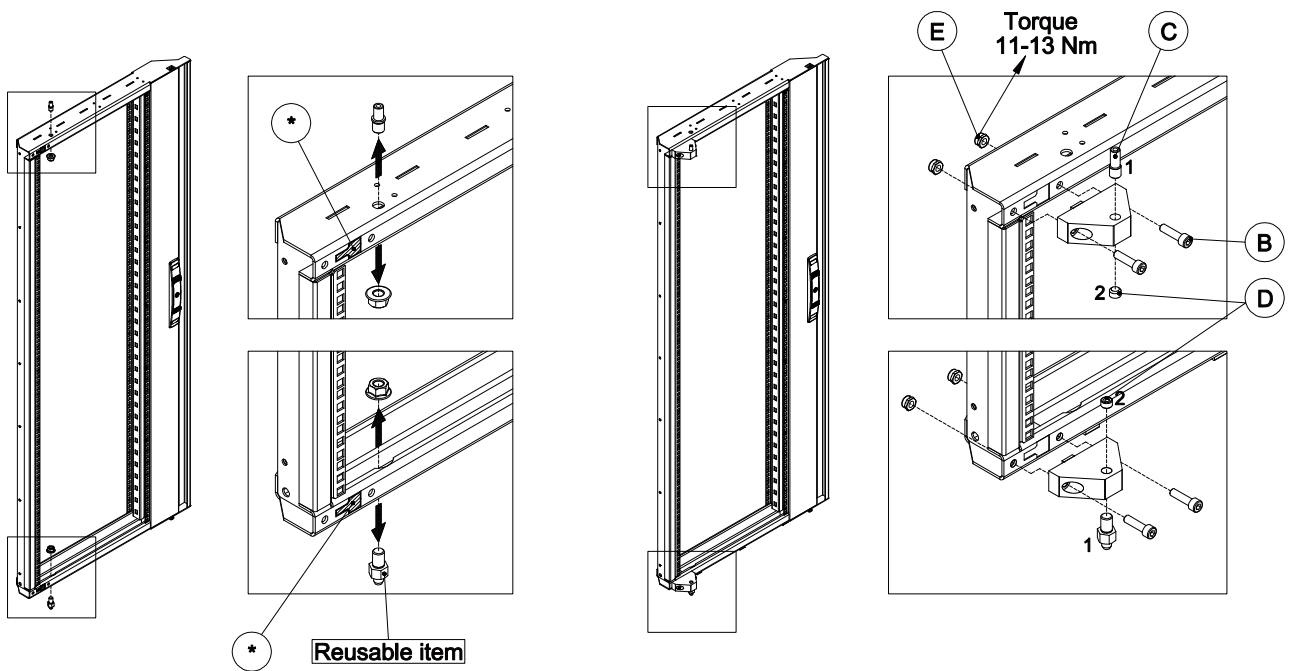
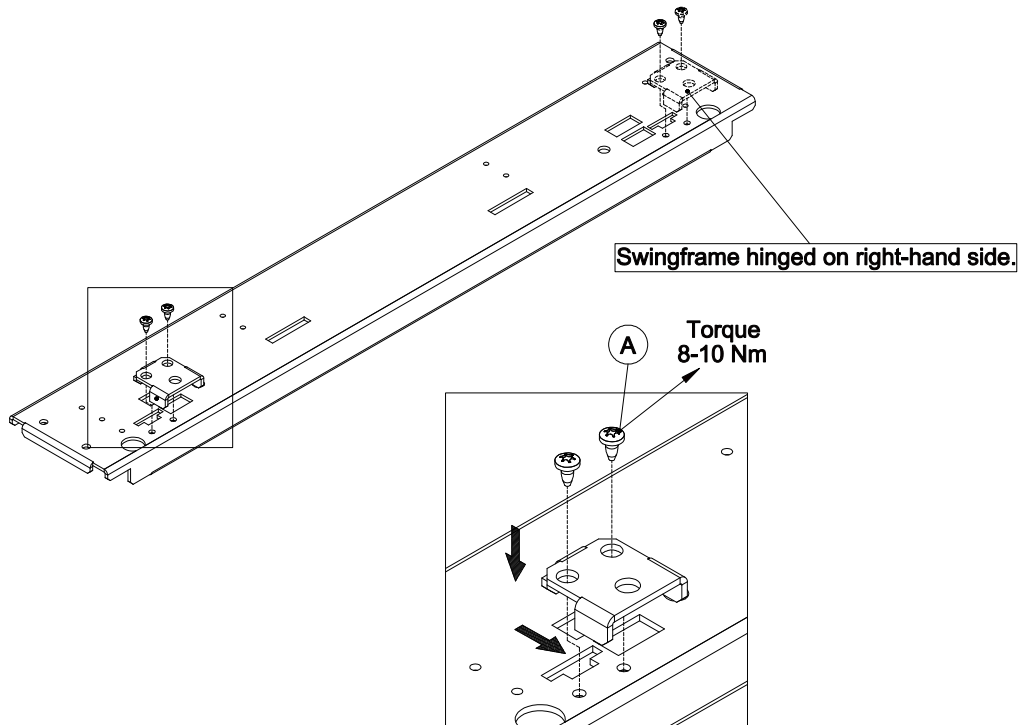


# SWING FRAMES



## ESFS - ESFH 180

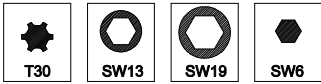
Ref.	Pic.	Qty.
A	M6x10	2
B	M8x25	4
C	M12x12	1
D	M12	2
E	M8	4



\* - Remove with straight screwdriver

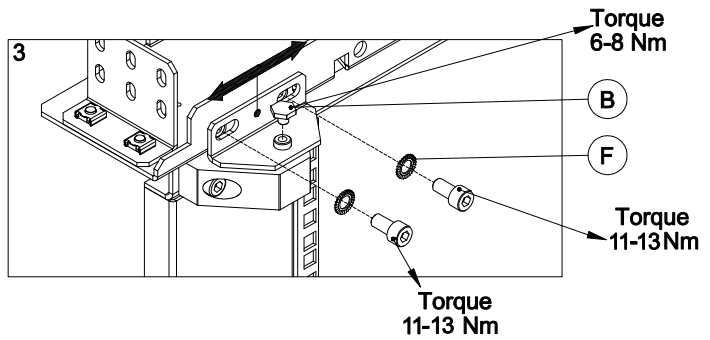
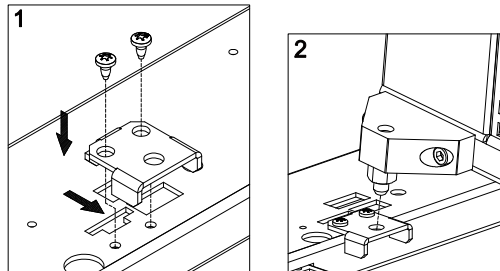
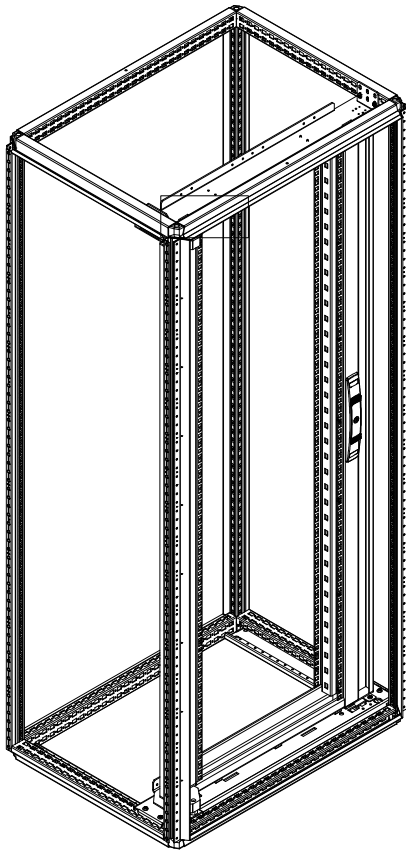
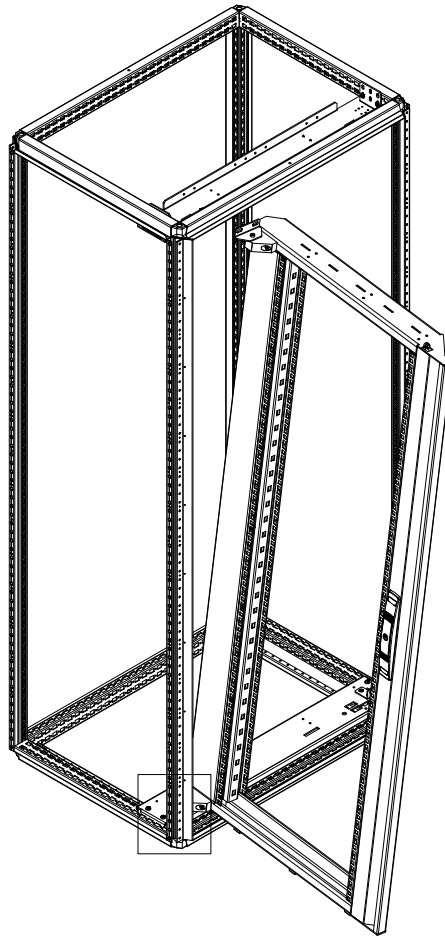
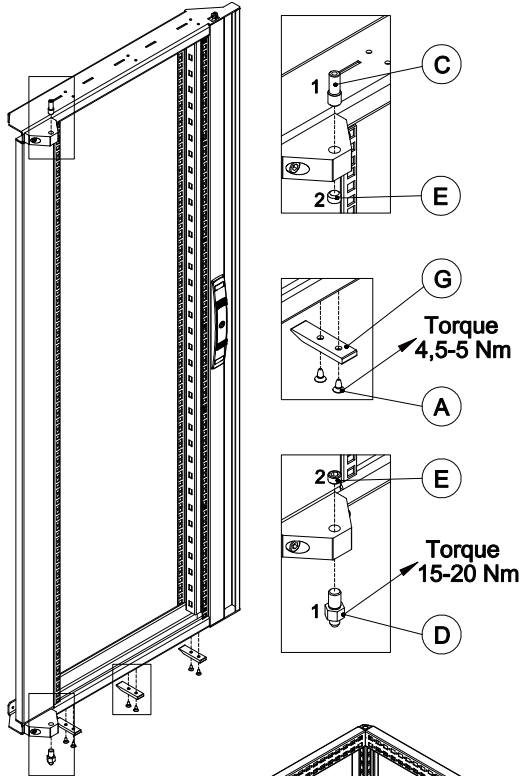
Swingframe mounting according to ESFM on page 7.

# SWING FRAMES

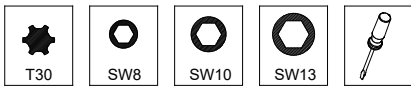


## ESFM

Ref.	Pic.	Qty.
A	M6x10	6
B	M6x5	1
C	M12	1
D	M12	1
E	M12	2
F	M8	2
G		3



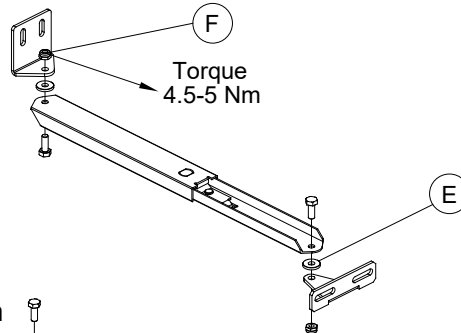
# SWING FRAMES



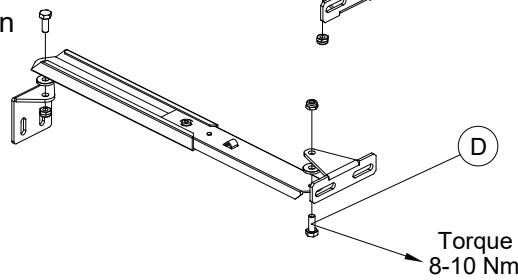
## ESFD130/180

Ref.	Pic.	Qty.
A		4
B		2
C		2
D		4
E		4
F		5

Top mounting position

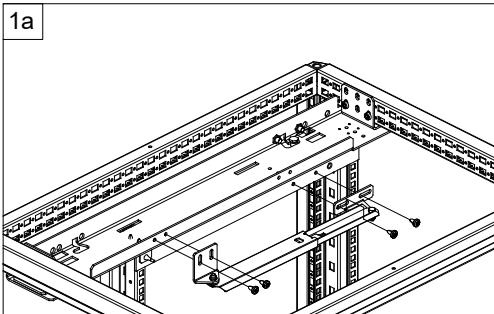


Bottom mounting position

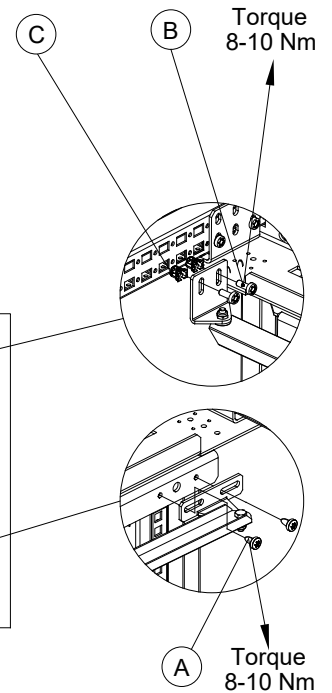
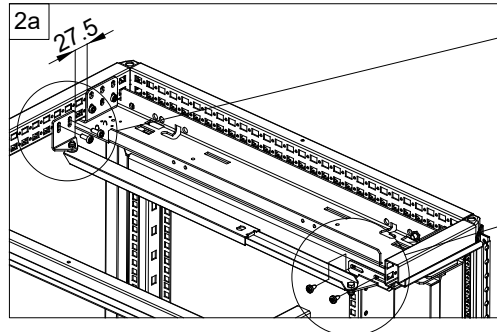


1. ESFD fixed on ES

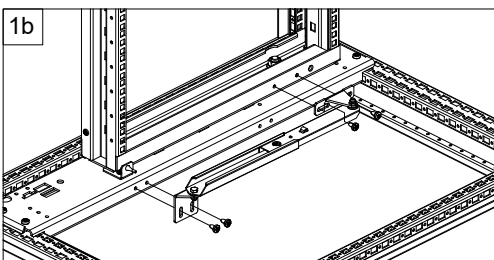
Top mounting



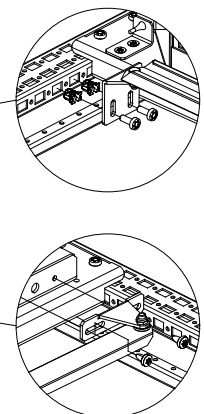
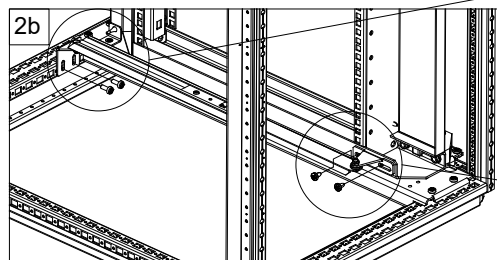
2. ESFD fixed on frame  
ESFD130 for ESFB06+ESFC  
ESFD180 for ESFB08+ESFS/ESFM  
Top mounting



Bottom mounting



Bottom mounting

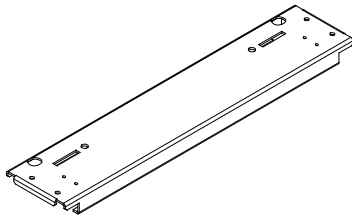


\*ESFB mounting holes instructions according to page 10.

# SWING FRAMES

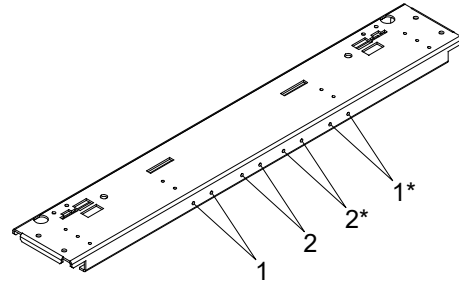
## ESFD MOUNTING HOLES FOR ESFB

ESFD in 600W



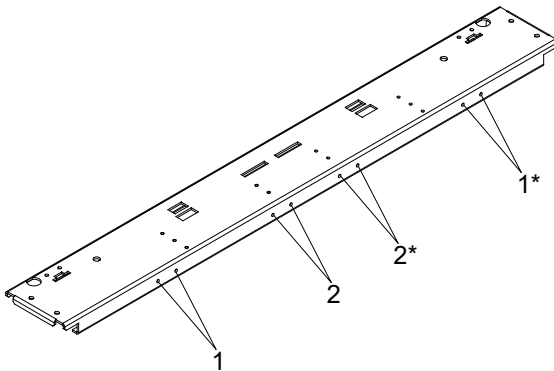
- ESFD130 for ESFC left/right hand opening fixed on frame

ESFD in 800W



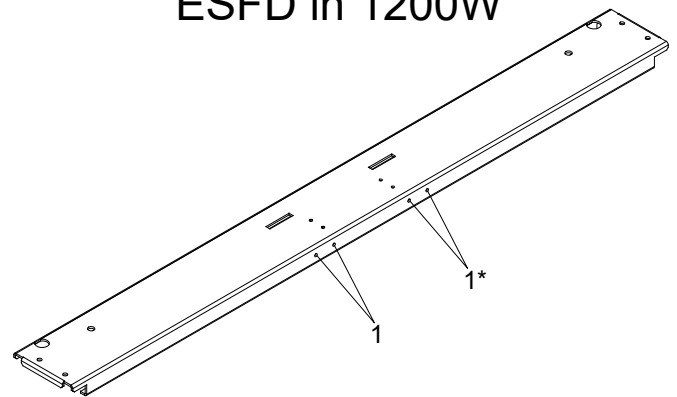
- 1 - ESFD130 for ESFC/ESFS left hand opening
- 1\* - ESFD130 for ESFC/ESFS right hand opening
- 2 - ESFD130 for ESFM/ESFS with ESFH180 left hand opening
- 2\* - ESFD130 for ESFM/ESFS with ESFH180 left hand opening

ESFD in 1000W



- 1 - ESFD180 for ESFM+ESFH180 left hand opening
- 1 - ESFD180 for ESFS+ESFH180 left hand opening
- 2 - ESFD130 for ESFC left hand opening
- 2 - ESFD130 for ESFS left hand opening
- 2\* - ESFD130 for ESFM+ESFH180 left hand opening
- 2\* - ESFD130 for ESFS+ESFH180 left hand opening
- 1\* - ESFD180 for ESFM+ESFH180 right hand opening
- 1\* - ESFD180 for ESFS+ESFH180 right hand opening
- 2\* - ESFD130 for ESFC right hand opening
- 2\* - ESFD130 for ESFS right hand opening
- 2 - ESFD130 for ESFM+ESFH180 right hand opening
- 2 - ESFD130 for ESFS+ESFH180 right hand opening

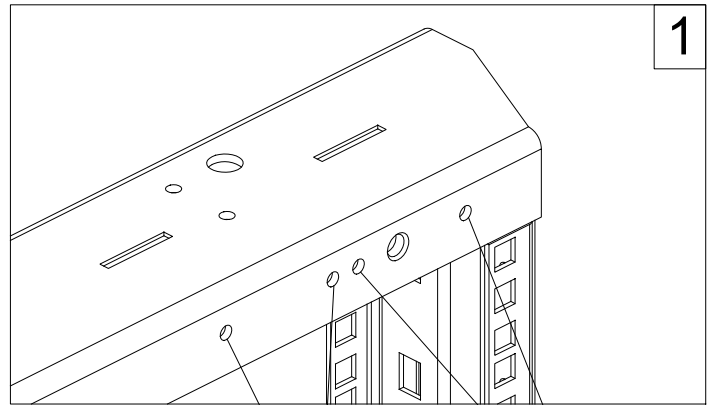
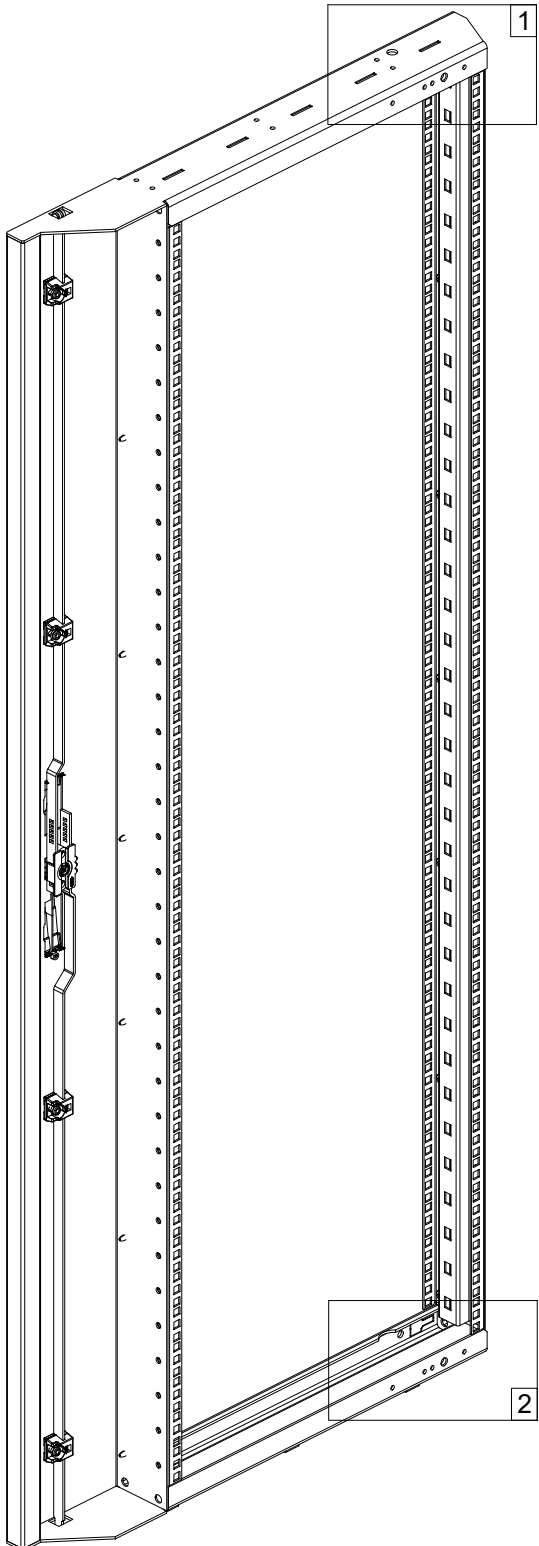
ESFD in 1200W



- 1 - ESFD130 for ESFC right hand opening
- 1\* - ESFD130 for ESFC left hand opening

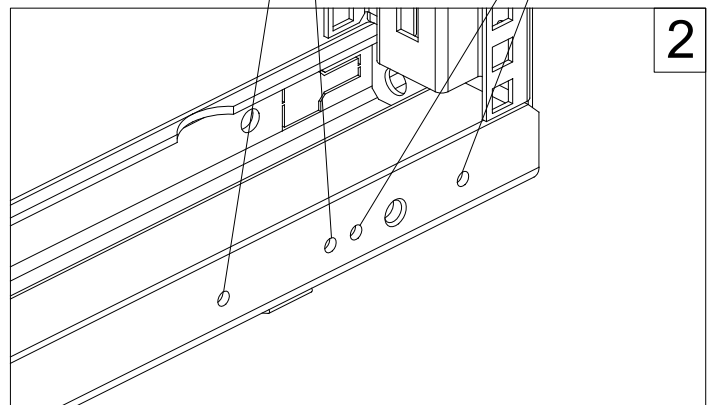
# SWING FRAMES

## ESFD MOUNTING HOLES FOR ESFS



For ESFD130

For ESFD180 or  
with ESFH180  
mounted

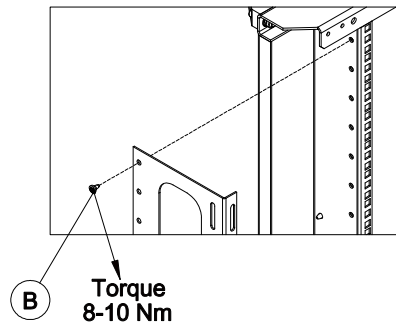
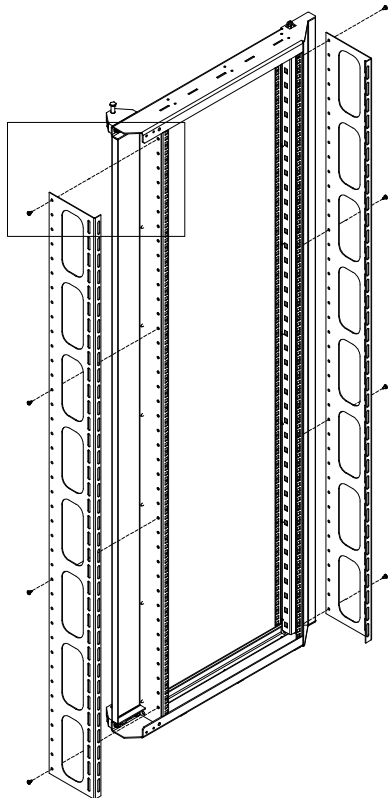


# SWING FRAMES



## SFMP

Ref.	Pic.	Qty.
A	M6x12	8
B	M6	12



## SFSU

Ref.	Pic.	Qty.
A	M6x12	4
B	M6	4
C	M6	4

