

FEATURES & SPECIFICATIONS

INTENDED USE — Ideal where high brightness and high illumination levels are required such as retail, industrial and warehouse applications. **Certain airborne contaminants can diminish the integrity of acrylic and/or polycarbonate.** [Click here for Acrylic-Polycarbonate Compatibility table for suitable uses.](#)

ATTRIBUTES — Fixtures assembled with snap and screwed together components. Available in a variety of lengths and lamp configurations. Gripper-back design for superior strength and rigidity.

CONSTRUCTION — Heavy-duty, 20-gauge channel, cold-rolled steel.

Sturdy channel cover secured by quarter-turn latch for tool-less access to wireway. Screw-on endplates.

Finish: Five-stage iron-phosphate pretreatment ensures superior paint adhesion and rust resistance. Finish is high-gloss baked white polyester.

ELECTRICAL — Thermally protected, resetting, Class P, HPF, UL listed, CSA Certified ballast is standard.

Fixture is suitable for damp locations. AWM, TFN or THHN wire used throughout, rated for required temperatures.

INSTALLATION — For unit or row installation, suspended mounting. Channel connector furnished standard.

LISTINGS — UL Listed for 25°C ambient temperatures and damp locations.

UL Listed to US and Canadian safety standards. Optional: Mexico NOM.

WARRANTY — 1-year limited warranty. Complete warranty terms located at: www.acuitybrands.com/CustomerResources/Terms_and_conditions.aspx

Note: Actual performance may differ as a result of end-user environment and application. Specifications subject to change without notice.

| |
|----------------|
| Catalog Number |
| Notes |
| Type |

Heavy-Duty Strip

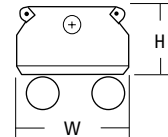
UND



T12, ELECTRONIC BALLASTS
2', 3', 4', 6' or 8' length
1 or 2 lamps

Specifications

| | |
|----------------|---------------|
| Length: | 24 (61.0) |
| | 36 (91.4) |
| | 48 (121.9) |
| | 72 (182.9) |
| | 96 (243.8) |
| Width: | 4-3/8 (11.1) |
| Fixture Depth: | 3-11/16 (9.4) |



All dimensions are inches (centimeters) unless otherwise noted.

ORDERING INFORMATION

For shortest lead times, configure products using **bolded options**.

Example: UND 2 96HO 120 CW20 MBX

| UND | | | | |
|---|-----------------|--|------------|--|
| Series | Number of lamps | Lamp type | Voltage | Options |
| UND Heavy-duty channel for T12 For tandem double-length unit, add prefix T. Example: TUND | 1' | 48HO 60W T12 800MA (48") ¹ | 120 | <u>Shipped installed in fixture</u> CW20 Cold-weather ballast -20°F starting GEB T12 electronic ballast, <20% THD EL14 Emergency battery pack (nominal 1400lumens), see Life Safety Section GLR Internal fast-blow fuse GMF Internal slow-blow fuse PLR_ Plug-in wiring; specify 1,2 or 3 branch circuits and hot wires (A=black, B=red, C=blue, AB or AC) TILW Tandem in-line wiring NOM NOM Certified |
| | 2 | 72HO 85W T12 800MA (72") | 277 | |
| | Not included. | 96HO 110W T12 800MA (96") | 347 | |

Accessories: Order as separate catalog number.

| | |
|--------|---|
| SQ_ | Swivel stem hanger (specify length in 2" increments). |
| 1B | Ceiling spacer (1-1/2" to 2-1/2" from ceiling). |
| HC36 | Chain hangers (1 pair, 36" long). |
| THUN | Tong Hanger |
| HRUND1 | Hooker® T-bar hanger (1-1/2" from ceiling) UND only. |
| CSMR48 | Symmetric reflector, 4' white |
| CASR48 | Asymmetric reflector 4' white |
| WGCUN | 4' white wireguard (order two for 8' fixtures). |

Notes

- Not available with 347V.
- Order two for 8' fixtures. For strip channels only.

UND T12, Magnetic Ballasts

MOUNTING DATA

For unit or row installation, surface or suspended mounting. Use hanger appropriate for fixture width.

Unit installation — Minimum of two hangers required.

Row installation — One hanger per channel plus one per row required.

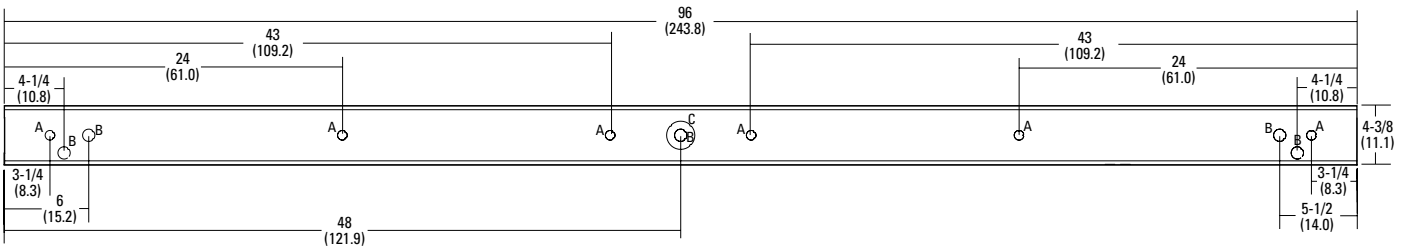
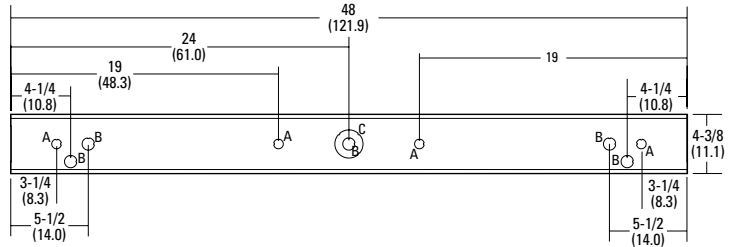
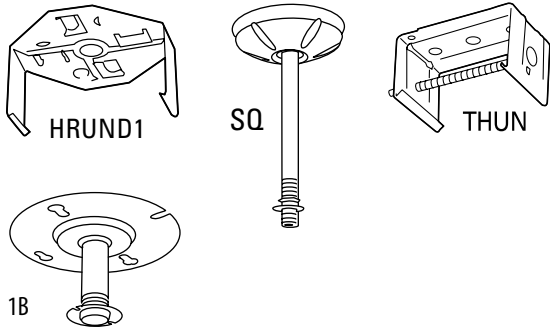
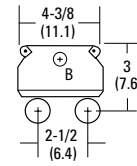
Hooker® (HRUND1, HRUNS1), HC36 and THUN Hangers — Minimum two per channel (unit and row).

See ACCESSORIES below for hanging devices.

DIMENSIONS

Inches (centimeters). Subject to change without notice.

- A = 11/16 (18) Dia. K.O.
- B = 7/8 (22) Dia. K.O.
- C = 2 (51) Dia. K.O.



PHOTOMETRICS

Calculated using the zonal cavity method in accordance with IESNA LM41 procedure. Floor reflectances are 20%. Lamp configurations shown (2.54T5HO) are typical. All data based on 25°C. Full photometric data on these and other configurations available upon request.

UND 2 96HO□

Report: **LTD12646□**

LUMENS PER LAMP: **8350□**

Luminaire Efficiency: **91.6%**

Coefficients of Utilization□

| RCR | pw | Coefficients of Utilization□ | | | | | | | | | |
|-----|-----|------------------------------|-----|-----|-----|-----|-----|-----|-----|-----|--|
| | | 80% | | 50% | | 30% | | 20% | | 10% | |
| | | 70% | 50% | 30% | 50% | 30% | 10% | 50% | 30% | 10% | |
| 0 | 104 | 104 | 104 | 90 | 90 | 90 | 81 | 81 | 81 | | |
| 1 | 92 | 87 | 82 | 75 | 71 | 68 | 67 | 65 | 62 | | |
| 2 | 83 | 74 | 67 | 64 | 59 | 54 | 57 | 53 | 50 | | |
| 3 | 75 | 64 | 56 | 55 | 49 | 44 | 50 | 45 | 41 | | |
| 4 | 68 | 56 | 48 | 48 | 42 | 37 | 44 | 38 | 34 | | |
| 5 | 62 | 50 | 41 | 43 | 36 | 31 | 39 | 33 | 29 | | |
| 6 | 57 | 44 | 36 | 39 | 32 | 27 | 35 | 29 | 25 | | |
| 7 | 53 | 40 | 32 | 35 | 28 | 23 | 32 | 26 | 22 | | |
| 8 | 49 | 36 | 28 | 32 | 25 | 21 | 29 | 23 | 19 | | |
| 9 | 46 | 33 | 25 | 29 | 23 | 18 | 26 | 21 | 17 | | |
| 10 | 43 | 30 | 23 | 27 | 21 | 17 | 24 | 19 | 15 | | |

Zonal Lumen Summary□

| Zone | Lumens | % Lamp | % Fixture |
|------------|--------|--------|-----------|
| 0° - 30° | 2286 | 13.7 | 15.0 |
| 0° - 40° | 3886 | 23.3 | 25.4 |
| 0° - 60° | 7586 | 45.4 | 49.6 |
| 0° - 90° | 11677 | 69.9 | 76.4 |
| 90° - 180° | 3613 | 21.6 | 23.6 |
| 0° - 180° | 15290 | 91.6 | 100.0 |