

## Individual Spec Sheet

# FLM

## LED MINI FLOOD LIGHT 3 CCT & 2 Power Selectable

### ORDERING INFORMATION

<b>Order code:</b>	69180
<b>Model number:</b>	FLM-PS25A-W-3C-BR-KN
<b>UPC:</b>	069549025158
<b>Case quantity:</b>	10
<b>DLC unique ID:</b>	S-6H5L0K

### PHYSICAL DATA

<b>Lens material:</b>	Tempered glass
<b>Finish:</b>	Bronze
<b>Housing material:</b>	Die cast aluminum
<b>Mounting:</b>	Knuckle

### PERFORMANCE DATA

<b>Watts (W):</b>	15/25
<b>Volts (V AC):</b>	120 - 277
<b>Color temperature (K)<sup>1</sup>:</b>	3 000/4 000/5 000
<b>Lumen output (lm)<sup>2</sup>:</b>	2 296/3 809
<b>Efficacy (lm/W):</b>	152/153
<b>CRI:</b>	80+
<b>Life L70 (h)<sup>3</sup>:</b>	50 000
<b>Tested LM-80 (h)<sup>3</sup>:</b>	9 000
<b>Photocell included</b>	No
<b>Dimming:</b>	Yes
<b>Power factor:</b>	0.90
<b>THD (%):</b>	20
<b>Surge protection (kV):</b>	2
<b>Input current (A):</b>	0.00023
<b>Operating temp. range:</b>	-40 °C to 50 °C (-40 °F to 122 °F)

<sup>1</sup> Typical color temperature range: +/- 5 %.

<sup>2</sup> Lumen values are derived from photometric testing. Initial lumens range: +/- 10 %.

<sup>3</sup> Life hours are derived from IESNA LM80-08 testing report and projected per IESNA TM-21-11 extrapolations.

### COMPATIBLE DIMMERS<sup>1</sup>

Brand	Model
LEVITON	DS710, IP710
LEGRAND	RH4FBL3PW
LUTRON	NFTV, NTSTV, DVTV

**Dimming range:** 10%-100%

NOTE: The above table shows dimmers that have been tested and have demonstrated proper operation under normal conditions. Each installation being unique, various factors such as load, common neutrals or other electrical products on the circuit can, in certain instances, cause variance in system performance. Read and comply to the dimmer installation instructions. Consult dimming system manufacturer for additional support in operation. Standard recommends to use dimmers designed to work with LED products. Older dimmers designed for incandescent products may cause erratic operation. Some dimmers may require more than one product for stable operation. The maximum number of products is determined by the dimmer wattage rating with LEDs. Be careful, these dimmers have different ratings depending on the product type. Again, refer to the dimmer installation instructions.

### LUMEN SPECIFICATION TABLE

Order code	Model number	Watts (W)	3 000 K			4 000 K			5 000 K		
			Lumen output (lm)	Efficacy (lm/W)	LED Current (mA)	Lumen output (lm)	Efficacy (lm/W)	LED Current (mA)	Lumen output (lm)	Efficacy (lm/W)	LED Current (mA)
69180	FLM-PS25A-W-3C-BR-KN	15	1 875	125	55	2 100	140	28	2 025	135	55
		25	3 000	120	90	3 500	140	45	3 250	130	90

### DEFAULT PROGRAMMING

25 W / 4 000 K



quick ship



LED fixture



dimmable fixture



wet location



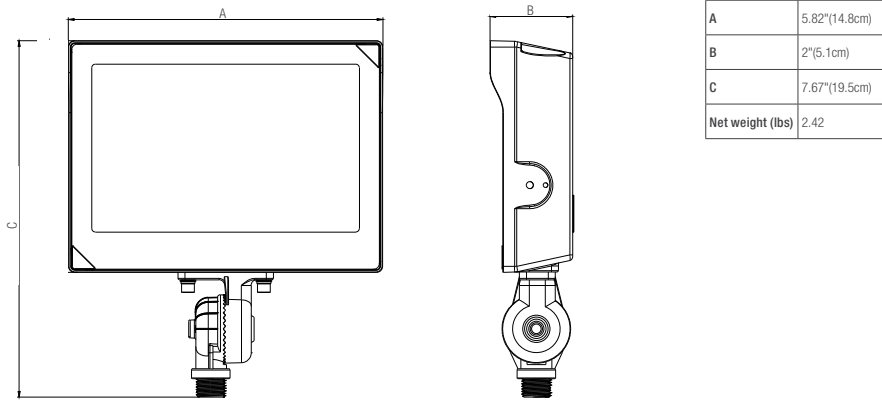
ICES 005



Not all products are qualified on the DLC QPL. To view our DLC qualified products, please consult the DLC Qualified Products List at [www.designlights.org/search](http://www.designlights.org/search).

**DIMENSIONS AND WEIGHTS**

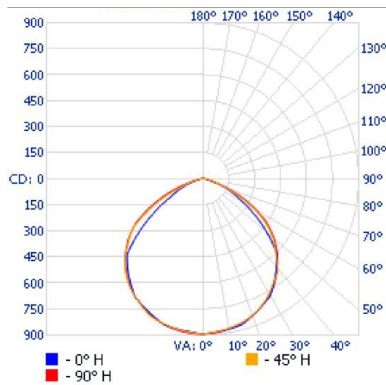
**Knuckle Mount**



**PHOTOMETRIC DATA<sup>1</sup>**

69180. FLM-PS25A-W-3C-BR-XX. 15W. 4000K. 2289 lm

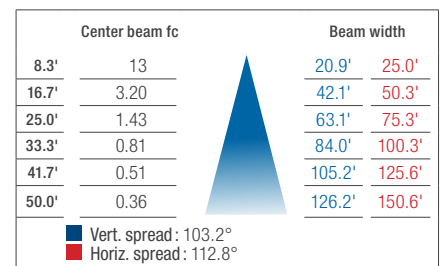
**Polar candela distribution**



**Zonal lumen summary**

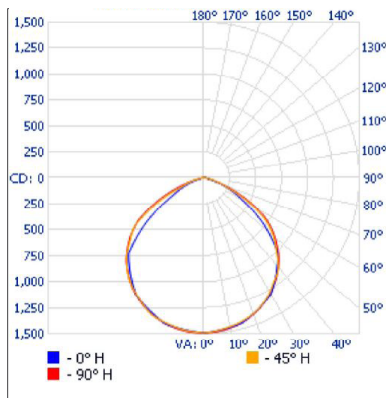
Zone	Lumens	% Lamp	% Luminaire
0-30	701.2	30.6	30.6
0-40	1 156.5	50.5	50.5
0-60	2 011.4	87.9	87.9
60-90	277.8	12.1	12.1
0-90	2 289.2	100	100

**Illuminance at a distance**



69180. FLM-PS25A-W-3C-BR-XX. 25W. 4000K. 3809 lm

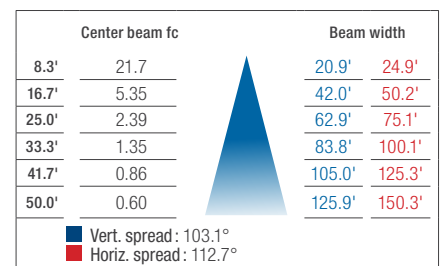
**Polar candela distribution**



**Zonal lumen summary**

Zone	Lumens	% Lamp	% Luminaire
0-30	1 167.5	30.6	30.6
0-40	1 925.2	50.5	50.5
0-60	3 347.0	87.9	87.9
60-90	462.2	12.1	12.1
0-90	3 809.2	100	100

**Illuminance at a distance**



<sup>1</sup> Complete IES files available on our website.

Data is based upon tests performed in a controlled environment. Actual performance can vary depending on operating conditions. All products are subject to change or may be discontinued any time without notice. Please contact your Stanpro customer service representative to confirm inventory levels at time of order.