

Individual Spec Sheet

L3CBA GEN. 2

LED RECESSED CENTER BASKET 3 CCT AND 3 POWER SELECTABLE

ORDERING INFORMATION

Order code: 69163
Model number: L3CBA-4LPS45P-Q/3C
UPC: 069549025035
Case quantity: 2
DLC unique ID: S-3IMJBY

PHYSICAL DATA

Dimensions: 2'X4'
Diffuser material: PMMA
Housing material: Steel
Mounting: Recessed inverted T-Bar ceilings

PERFORMANCE DATA

Watts (W): 34/38/45
Volts (VAC): 120-347
Color temperature (K)¹: 3 500/4 000/5 000
Lumen output (lm)²: 4 794/5 244/6 075
Efficiency (lm/W): 125
CRI: 80+
Life L70 (h)³: 189 000
Dimming: 0-10V
Power factor: 0.90
THD (%): 10
Operating temp. range: -25 °C to 55 °C (-13 °F to 131 °F)

¹ Typical colour temperature range: +/- 5 %

² Lumen values are derived from photometric testing. Initial lumens range: +/- 10 %

³ Life hours are derived from IESNA LM80-08 testing report and projected per IESNA TM-21-11 extrapolations

LUMEN SPECIFICATION TABLE

| Order code | Model number | Watts (W) | 3 500 K | | 4 000 K | | 5 000 K | |
|------------|--------------------|-----------|-------------------|-----------------|-------------------|-----------------|-------------------|-----------------|
| | | | Lumen output (lm) | Efficacy (lm/W) | Lumen output (lm) | Efficacy (lm/W) | Lumen output (lm) | Efficacy (lm/W) |
| 69163 | L3CBA-4LPS45P-Q/3C | 34 | 4 760 | 140 | 4 794 | 141 | 4 828 | 142 |
| | | 38 | 5 206 | 137 | 5 244 | 138 | 5 282 | 139 |
| | | 45 | 6 030 | 134 | 6 075 | 135 | 6 120 | 136 |

DEFAULT PROGRAMMING

45 W / 4 000 K



This lighting equipment complies with Canadian standard ICES-005 for use in commercial applications. Data is based upon tests performed in a controlled environment. Actual performance can vary depending on operating conditions. Specifications are subject to change without notice.

COMPATIBLE ACCESSORIES

| Part number | Type | Compatible with |
|-------------|-------------------------|-----------------|
| CAS905-2X4 | Surface mount kit 2'X4' | 2'X4' |
| 63491 | Dry wall kit for 2'X4' | 2'X4' |

COMPATIBLE DIMMERS

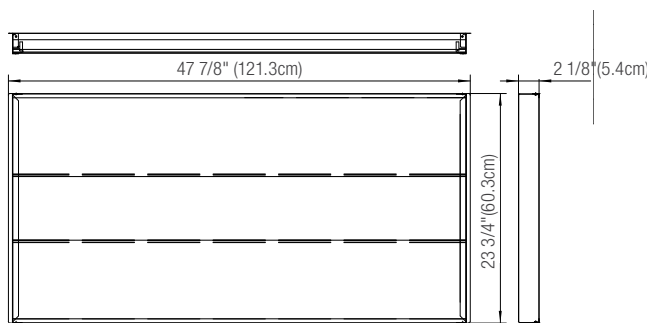
| Brand | Model number |
|---------|-------------------------|
| Lutron | DVTV-WH, NTSTV-DV, NFTV |
| Leviton | DS710, IP710 |
| Legrand | RH4FBL3PW |

Dimming range 10%-100%.

Note: The above table shows dimmers that have been tested and have demonstrated proper operation under normal conditions. Each installation being unique, various factors such as load, common neutrals or other electrical products on the circuit can, in certain instances, cause variance in system performance. Read and comply to the dimmer installation instructions. Consult dimming system manufacturer for additional support in operation. Stanpro recommends to use dimmers designed to work with LED products. Older dimmers designed for incandescent products may cause erratic operation. Some dimmers may require more than one product for stable operation. The maximum number of products is determined by the dimmer wattage rating with LEDs. Be careful, these dimmers have different ratings depending on the product type. Again, refer to the dimmer installation instructions.

DIMENSIONS

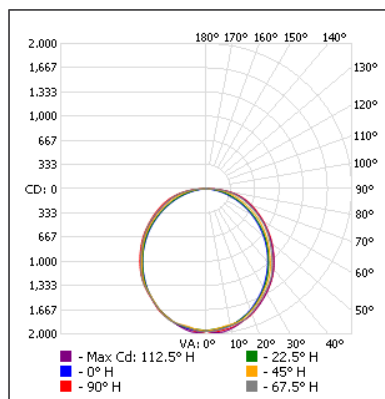
2'X4'



PHOTOMETRIC DATA¹

69163 • L3CBA-4LPS45P-Q/3C • 45 W • 3 500 K • 5 584.1 lm

Polar candela distribution



Zonal lumen summary

| Zone | Lumens | % Fixture |
|--------|---------|-----------|
| 0-30 | 1 503.0 | 26.9 |
| 0-40 | 2 443.5 | 43.8 |
| 0-60 | 4 274.6 | 76.5 |
| 60-90 | 1 290.6 | 23.1 |
| 70-100 | 617.4 | 11.1 |
| 90-120 | 8.4 | 0.2 |
| 0-90 | 5 565.2 | 99.7 |
| 90-180 | 18.9 | 0.3 |
| 0-180 | 5 584.1 | 100 |

Illuminance at a distance

| Center beam fc | | Beam width | |
|----------------|-------|------------|-------|
| 2.0' | 489.4 | 5.2' | 6.1' |
| 4.0' | 122.4 | 10.3' | 12.1' |
| 6.0' | 54.4 | 15.5' | 18.2' |
| 8.0' | 30.6 | 20.7' | 24.2' |
| 10.0' | 19.6 | 25.8' | 30.3' |

■ Vert. spread: 104.5°
■ Horiz. spread: 113.1°

¹ Complete IES files available on our website.

| Qty | Description | Price |
|-----|-------------|-------|
| | | |

I accept the specifications of the luminaire configuration mentioned above.

Name: _____
 Company: _____
 Signature: _____

Date: _____

Data is based upon tests performed in a controlled environment. Actual performance can vary depending on operating conditions. All products are subject to change or may be discontinued any time without notice.