

Project: _____ Type: _____

Drawn by: _____ Catalogue #: _____ Date: _____

Individual Spec Sheet

FLB

LED FLOOD LIGHT GEN 4

Quick and Easy Mounting accessories (Sold separately)

ORDERING INFORMATION

Order code: 68551
Model number: FLBM-L3AM-W-4K-BR
UPC: 069549017269
Case quantity: 1

PHYSICAL DATA

Dimensions: 14 3/4" x 12 5/8" x 2 5/8" (375 mm x 320 mm x 65 mm)
Lens material: Polycarbonate
Housing material: Aluminum die-cast
Finish: Bronze

PERFORMANCE DATA

Watts (W): 234
Volts (V): 120-277
Color temperature (K)¹: 4 000
Lumen output (lm)²: 33 728
Efficiency (lm/W): 144
CRI: 70
NEMA Type (HxV): 7x7
Life L70 (h)³: >60 000
Dimming (Yes/No): Yes
Power factor: 0.99
THD (%): 6.01
Surge protection (kV): 10
LED current (mA): 2.191-0.947
Operating temp. range: -40 °C to 40 °C

¹ Typical colour temperature range: +/- 5 %

² Lumen values are derived from photometric testing. Initial lumens range: +/- 10 %

³ Life hours are derived from IESNA LM80-08 testing report and projected per IESNA TM-21-11 extrapolations

COMPATIBLE ACCESSORIES

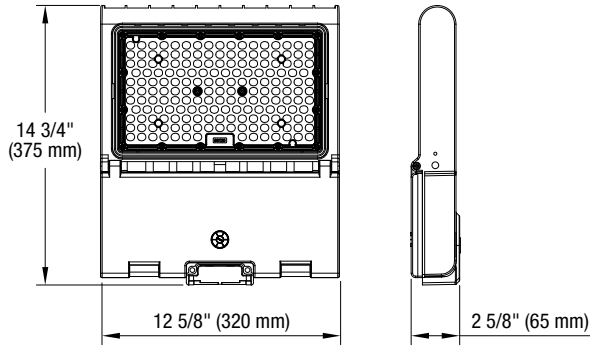
Order code	Description
68569	Bronze Yoke for FLBS-FLBM
68571	Bronze Slipfitter
68572	Bronze square/round Pole arm
68573	Bronze Trunnion
68574	Bronze Wall/Pole mount adapter ¹
68717	Bronze Slipfitter and Wall mount adapter

¹ Wall mount adapter used conjunctively with Slipfitter.



This lighting equipment complies with Canadian standard ICES-005 for use in commercial applications. Data is based upon tests performed in a controlled environment. Actual performance can vary depending on operating conditions. Specifications are subject to change without notice.

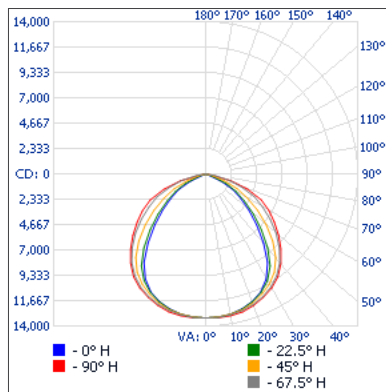
DIMENSIONS



PHOTOMETRIC DATA¹

68551 • FLBM-L3AM-W-40K-BR • 33 680.2 lm

Polar candela distribution



Zonal lumen summary

Zone	Lumens	% Fixture
0-30	10 547.3	31.3%
0-40	17 301.9	51.4%
0-60	29 008.2	86.1%
60-90	4 672.0	13.9%
70-100	1 320.9	3.9%
90-120	0	0%
0-90	33 680.2	100%
90-180	0	0%
0-180	33 680.2	100%

Illuminance at a distance

	Center beam fc	Beam width	
17'	45.9 fc	34.5'	59.8'
34'	11.5 fc	69.0'	119.7'
51'	5.10 fc	103.5'	179.5'
68'	2.87 fc	138.0'	239.3'
85'	1.83 fc	172.5'	299.2'
102'	1.27 fc	207.0'	359.0'

■ Vert. spread: 90.8°
■ Horiz. spread: 120.8°

¹ Complete IES files available on our website.

Qty	Description	Price

I accept the specifications of the luminaire configuration mentioned above.

Name: _____
 Company: _____
 Signature: _____

Date: _____

Data is based upon tests performed in a controlled environment. Actual performance can vary depending on operating conditions. All products are subject to change or may be discontinued any time without notice.