

Individual Spec Sheet

UNIVERSAL COMMERCIAL - CDU GEN 2

ALL-IN-ONE DIMMABLE LED DOWNLIGHT 6" CCT and Power Selectable

ORDERING INFORMATION

Order code: 69094
Model number: CDU6R-G2-PS3Q/3CWH
UPC: 069549024311
Case quantity: 8

PHYSICAL DATA

Size in. (mm): 7 1/2 x 4 5/8 (191 x 116)
Shape: Round
Finish: White
Lens Type: Frosted polycarbonate
Mounting: Recessed

PERFORMANCE DATA

Watts (W): 12/16/20
Volts (V AC): 120-347
Color temperature (K)¹: 3 000/3 500/4 000
Lumen output (lm)²: 1 080/1 440/2 000
Efficacy (lm/W): 90
CRI: 80+
Life L70 (h)³: 50 000
Beam angle (°): 88
Environment: Wet location
THD (%): <20
Power factor: >0.9
Frequency (Hz): 60
Operating temp. range: -30 °C to 40 °C (-22 F° to 104 °F)
Dimmable: Yes

¹ Typical color temperature range: +/- 5 %.

² Lumen values are derived from Energy Star reported data. Initial lumens range: +/- 10 %.

³ Life hours are derived from IESNA LM80-08 testing report and projected per IESNA TM-21-11 extrapolations.

LUMEN SPECIFICATION TABLE

Order code	Model number	Watts (W)	3 000 K		3 500 K		4 000 K	
			Lumen output (lm)	Efficacy (lm/W)	Lumen output (lm)	Efficacy (lm/W)	Lumen output (lm)	Efficacy (lm/W)
69094	CDU6R-G2-PS3Q/3CWH	12	1 384	115	1 470	123	1 471	123
		16	1 864	116	1 986	124	1 968	123
		20	2 252	113	2 414	121	2 373	119

DEFAULT PROGRAMMING

20 W / 3 000 K

COMPATIBLE ACCESSORIES

Order code	Model number	Type
66817 ^{1,2}	ACC/MPLATE/VELOCE6/HANG.BARS/STD	Mounting plate with hanger bars
68615	GOOF RING-6.75IN	Goof ring

¹ Includes brackets and screws.

² Junction box not included.



3 000/3 500/4 000 K



power selectable



5 yrs warranty



quick ship



LED fixture



dimmable



wet location



IC rated



ICES 005



COMPATIBLE DIMMERS²

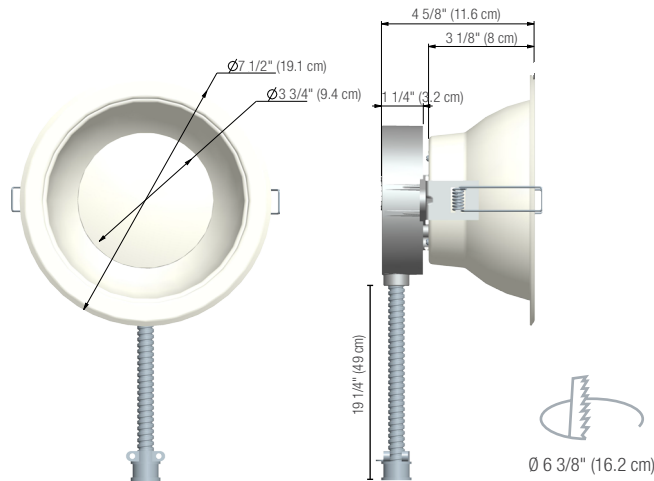
Brand	Model
LEGRAND	RH4FBL3PTC, WS4FBL3P
LEVITON	AWSMT-7DW ¹ , DS-710
LUTRON	DVSTV, NTSTV-DV

Dimming range: 5%-100%

¹ Dimming range: 10%-100%

² This table shows dimmers that have been tested and have demonstrated proper operation under normal conditions. Each installation being unique, various factors such as load, common neutrals or other electrical products on the circuit can, in certain instances, cause variance in system performance. Read and comply to the dimmer installation instructions. Consult dimming system manufacturer for additional support in operation. Some dimmers may require more than one product for stable operation. Stanpro recommends to use dimmers designed to work with LED products. Older dimmers designed for incandescent products may cause erratic operation.

DIMENSIONS AND WEIGHTS

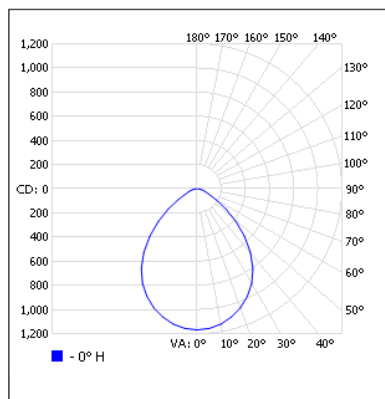


Net weight (lbs)	1.76
------------------	------

PHOTOMETRIC DATA¹

69094 • CDU6R-G2-PS3Q/3CWH • 20 W • 3 000 K • 2252.1 lm

Polar candela distribution



Zonal lumen summary

Zone	Lumens	% Fixture
0-30	870.1	38.6 %
0-40	1 370.0	60.8 %
0-60	2 057.7	91.4 %
60-90	194.4	8.6 %
0-90	2 252.1	100 %

Illuminance at a distance

	Center beam fc	Beam width
1.7'	404	3.3'
3.3'	107	6.3'
5.0'	46.7	9.6'
6.7'	26.0	12.9'
8.3'	17.0	15.9'
10.0'	11.7	19.2'

■ Beam spread: 87.7°

¹ Complete IES files available on our website.

Qty	Description	Price

I accept the specifications of the luminaire configuration mentioned above.

Name: _____
 Company: _____
 Signature: _____

Date: _____

Data is based upon tests performed in a controlled environment. Actual performance can vary depending on operating conditions. All products are subject to change or may be discontinued any time without notice. Please contact your Stanpro customer service representative to confirm inventory levels at time of order.