

Project: \_\_\_\_\_ Type: \_\_\_\_\_

Drawn by: \_\_\_\_\_ Catalogue #: \_\_\_\_\_ Date: \_\_\_\_\_

## Individual Spec Sheet

# FLB

## LED FLOOD LIGHT GEN 4

Quick and Easy Mounting accessories (Sold separately)

### ORDERING INFORMATION

**Order code:** 68554  
**Model number:** FLBL-L4AM-I-4K-BR  
**UPC:** 069549017290  
**Case quantity:** 1

### PHYSICAL DATA

**Dimensions:** 17 7/8" x 12 5/8" x 2 3/4" (454 mm x 320 mm x 70 mm)  
**Lens material:** Polycarbonate  
**Housing material:** Aluminum die-cast  
**Finish:** Bronze

### PERFORMANCE DATA

**Watts (W):** 283  
**Volts (V):** 347-480  
**Color temperature (K)<sup>1</sup>:** 4 000  
**Lumen output (lm)<sup>2</sup>:** 40 569  
**Efficiency (lm/W):** 144  
**CRI:** 70  
**NEMA Type (HxV):** 7x6  
**Life L70 (h)<sup>3</sup>:** >60 000  
**Dimming (Yes/No):** Yes  
**Power factor:** 0.91  
**THD (%):** 16.26  
**Surge protection (kV):** 10  
**LED current (mA):** 1.5  
**Operating temp. range:** -40 °C to 40 °C

<sup>1</sup> Typical colour temperature range: +/- 5 %

<sup>2</sup> Lumen values are derived from photometric testing. Initial lumens range: +/- 10 %

<sup>3</sup> Life hours are derived from IESNA LM80-08 testing report and projected per IESNA TM-21-11 extrapolations

### COMPATIBLE ACCESSORIES

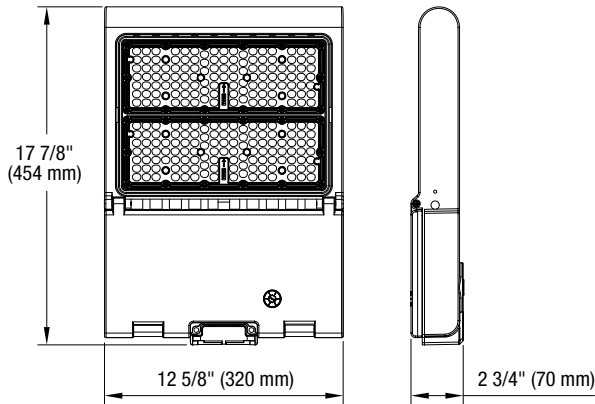
Order code	Description
68570	Bronze Yoke for FLBL-FLBX
68571	Bronze Slipfitter
68572	Bronze square/round Pole arm
68573	Bronze Trunnion
68574	Bronze Wall/Pole mount adapter <sup>1</sup>
68717	Bronze Slipfitter and Wall mount adapter

<sup>1</sup> Wall mount adapter used conjunctively with Slipfitter.



This lighting equipment complies with Canadian standard ICES-005 for use in commercial applications. Data is based upon tests performed in a controlled environment. Actual performance can vary depending on operating conditions. Specifications are subject to change without notice.

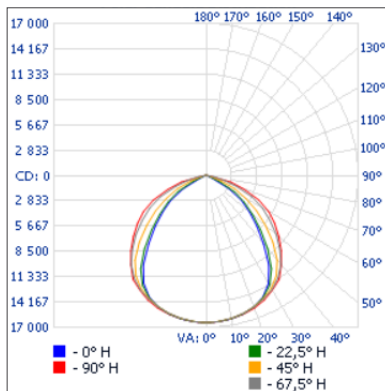
**DIMENSIONS**



**PHOTOMETRIC DATA<sup>1</sup>**

68554 • FLBL-L4AM-I-40K-BR • 40 508.6 lm

**Polar candela distribution**



**Zonal lumen summary**

Zone	Lumens	% Fixture
0-30	13 062.7	32.2%
0-40	21 381.6	52.8%
0-60	35 449.2	87.5%
60-90	5 059.4	12.5%
70-100	1 414.1	3.5%
90-120	0	0%
0-90	40 508.6	100%
90-180	0	0%
0-180	40 508.6	100%

**Illuminance at a distance**

Center beam fc		Beam width	
17'	57 fc	33.4'	57.5'
34'	14.3 fc	66.8'	114.9'
51'	6.33 fc	100.2'	172.4'
68'	3.56 fc	133.6'	229.9'
85'	2.28 fc	167.0'	287.4'
102'	1.58 fc	200.4'	344.8'

■ Vert. spread: 89°  
■ Horiz. spread: 118.8°

<sup>1</sup> Complete IES files available on our website.

Qty	Description	Price

I accept the specifications of the luminaire configuration mentioned above.

Name: \_\_\_\_\_  
 Company: \_\_\_\_\_  
 Signature: \_\_\_\_\_

Date: \_\_\_\_\_

Data is based upon tests performed in a controlled environment. Actual performance can vary depending on operating conditions. All products are subject to change or may be discontinued any time without notice.