

Project: \_\_\_\_\_

Type: \_\_\_\_\_

Drawn by: \_\_\_\_\_ Catalogue #: \_\_\_\_\_

Date: \_\_\_\_\_

## Individual Spec Sheet

# UNIVERSAL COMMERCIAL - CDU GEN 2

## ALL-IN-ONE DIMMABLE LED DOWNLIGHT 8" CCT and Power Selectable

### ORDERING INFORMATION

**Order code:** 69095  
**Model number:** CDU8R-G2-PS3Q/3CWH  
**UPC:** 069549024359  
**Case quantity:** 8

### PHYSICAL DATA

**Size in. (mm):** 9 3/4 x 5 3/8 (246 x 137)  
**Shape:** Round  
**Finish:** White  
**Lens Type:** Frosted polycarbonate  
**Mounting:** Recessed

### PERFORMANCE DATA

**Watts (W):** 15/20/25  
**Volts (V AC):** 120-347  
**Color temperature (K)<sup>1</sup>:** 3 000/3 500/4 000  
**Lumen output (lm)<sup>2</sup>:** 1 800/2 200/2 900  
**Efficacy (lm/W):** 110  
**CRI:** 80+  
**Life L70 (h)<sup>3</sup>:** 50 000  
**Beam angle (°):** 83  
**Environment:** Wet location  
**THD (%):** <20  
**Power factor:** >0.9  
**Frequency (Hz):** 60  
**Operating temp. range:** -30 °C to 40 °C (-22 F° to 104 °F)  
**Dimmable:** Yes

<sup>1</sup> Typical color temperature range: +/- 5 %.

<sup>2</sup> Lumen values are derived from Energy Star reported data. Initial lumens range: +/- 10 %.

<sup>3</sup> Life hours are derived from IESNA LM80-08 testing report and projected per IESNA TM-21-11 extrapolations.

### LUMEN SPECIFICATION TABLE

Order code	Model number	Watts (W)	3 000 K		3 500 K		4 000 K	
			Lumen output (lm)	Efficacy (lm/W)	Lumen output (lm)	Efficacy (lm/W)	Lumen output (lm)	Efficacy (lm/W)
69095	CDU8R-G2-PS3Q/3CWH	15	1 634	109	1 739	116	1 753	117
		20	2 125	106	2 265	113	2 262	113
		25	2 669	107	2 881	115	2 845	114

### DEFAULT PROGRAMMING

25 W / 3 000 K

### COMPATIBLE ACCESSORIES

Order code	Model number	Type
66818 <sup>1,2</sup>	ACC/MPLATE/VELOCE8/HANG.BARS/STD	Mounting plate with hanger bars
68616	GOOF RING-8IN	Goof ring

<sup>1</sup> Includes brackets and screws.

<sup>2</sup> Junction box not included.



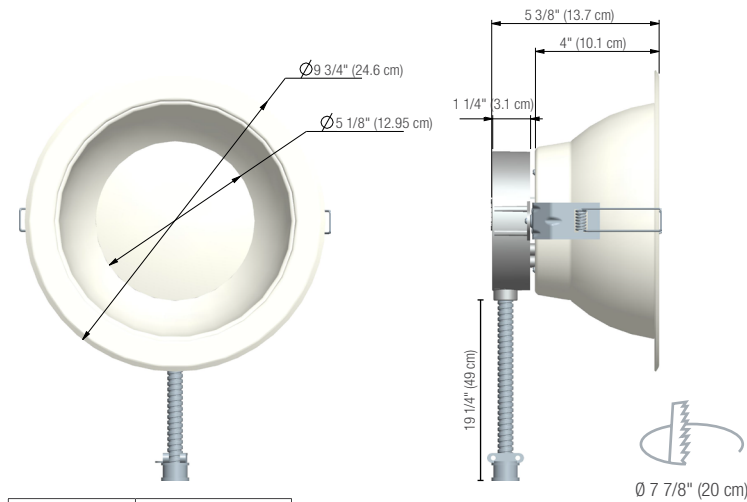
**COMPATIBLE DIMMERS<sup>1</sup>**

Brand	Model
LEGRAND	RH4FBL3PTC, WS4FBL3P
LEVITON	DS-710
LUTRON	DVSTV, NTSTV-DV

Dimming range: 5%-100%

<sup>1</sup> This table shows dimmers that have been tested and have demonstrated proper operation under normal conditions. Each installation being unique, various factors such as load, common neutrals or other electrical products on the circuit can, in certain instances, cause variance in system performance. Read and comply to the dimmer installation instructions. Consult dimming system manufacturer for additional support in operation. Some dimmers may require more than one product for stable operation. Stanpro recommends to use dimmers designed to work with LED products. Older dimmers designed for incandescent products may cause erratic operation.

**DIMENSIONS AND WEIGHTS**

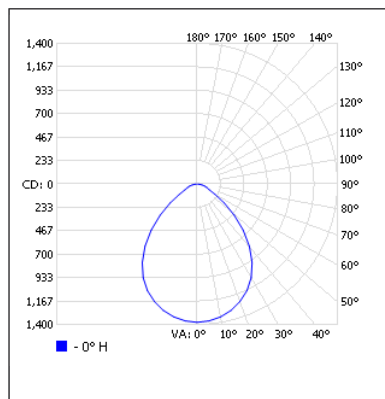


Net weight (lbs)	2.09
------------------	------

**PHOTOMETRIC DATA<sup>1</sup>**

**69095 • CDU8R-G2-PS3Q/3CWH • 25 W • 3 000 K • 2669 lm**

**Polar candela distribution**



**Zonal lumen summary**

Zone	Lumens	% Fixture
0-30	1 033.9	38.7 %
0-40	1 626.4	60.9 %
0-60	2 423.1	90.8 %
60-90	245.8	9.2 %
0-90	2 669.0	100 %

**Illuminance at a distance**

Center beam fc	Beam width	
1.7'	477	3.3'
3.3'	127	6.3'
5.0'	55.1	9.6'
6.7'	30.7	12.8'
8.3'	20.0	15.9'
10.0'	13.8	19.1'

■ Beam spread: 87.5°

<sup>1</sup> Complete IES files available on our website.

Qty	Description	Price

I accept the specifications of the luminaire configuration mentioned above.

Name: \_\_\_\_\_

Company: \_\_\_\_\_

Signature: \_\_\_\_\_

Date: \_\_\_\_\_

Data is based upon tests performed in a controlled environment. Actual performance can vary depending on operating conditions. All products are subject to change or may be discontinued any time without notice. Please contact your Stanpro customer service representative to confirm inventory levels at time of order.