

Project: \_\_\_\_\_ Type: \_\_\_\_\_

Drawn by: \_\_\_\_\_ Catalogue #: \_\_\_\_\_ Date: \_\_\_\_\_

## Individual Spec Sheet

# LED HIGH INTENSITY LAMP

CCT and Power Selectable

### ORDERING INFORMATION

**Order code:** 69124  
**Model number:** CRN/PS36W/3CCT/BYP/120-277/E26/STD  
**UPC:** 069549024731  
**Case quantity:** 12

### PHYSICAL DATA

**Base:** E26  
**Type:** 360° High Intensity

### PERFORMANCE DATA

**Watts (W):** 18/27/36  
**Traditional equivalent (W)** 150  
**Volts (V AC):** 120-277  
**Color temperature (K)<sup>1</sup>:** 3 000/4 000/5 000  
**Lumen output (lm)<sup>2</sup>:** 5 220/3 915/ 2 610  
**Efficacy (lm/W):** 145  
**CRI:** 80  
**Life L70 (h)<sup>3</sup>:** 50 000  
**Beam angle (°):** 180  
**Power factor:** >0.9  
**Frequency (Hz):** 50/60  
**Operating temp. range:** - 40 °C / - 40 °F to 45 °C / 113 °F  
**Installation:** Ballast Bypass

<sup>1</sup> Typical color temperature range: +/- 5 %.

<sup>2</sup> Lumen values are derived from photometric testing. Initial lumens range: +/- 10 %.

<sup>3</sup> Life hours are derived from IESNA LM80-08 testing report and projected per IESNA TM-21-11 extrapolations.

### LUMEN SPECIFICATION TABLE

Order code	Description	Watts (W)	3 000 K		4 000 K		5 000 K	
			Lumen output (lm)	Efficacy (lm/W)	Lumen output (lm)	Efficacy (lm/W)	Lumen output (lm)	Efficacy (lm/W)
69124	CRN/PS36W/3CCT/BYP/120-277/E26/STD	18	2430	135	2610	145	2520	140
		27	3645	135	3915	145	3780	140
		36	4860	135	5220	145	5040	140

### COMPATIBLE WITH:

Order code	Type
69167	ACCESSORY PHOTOCELL PIR SENSOR



ICES  
005

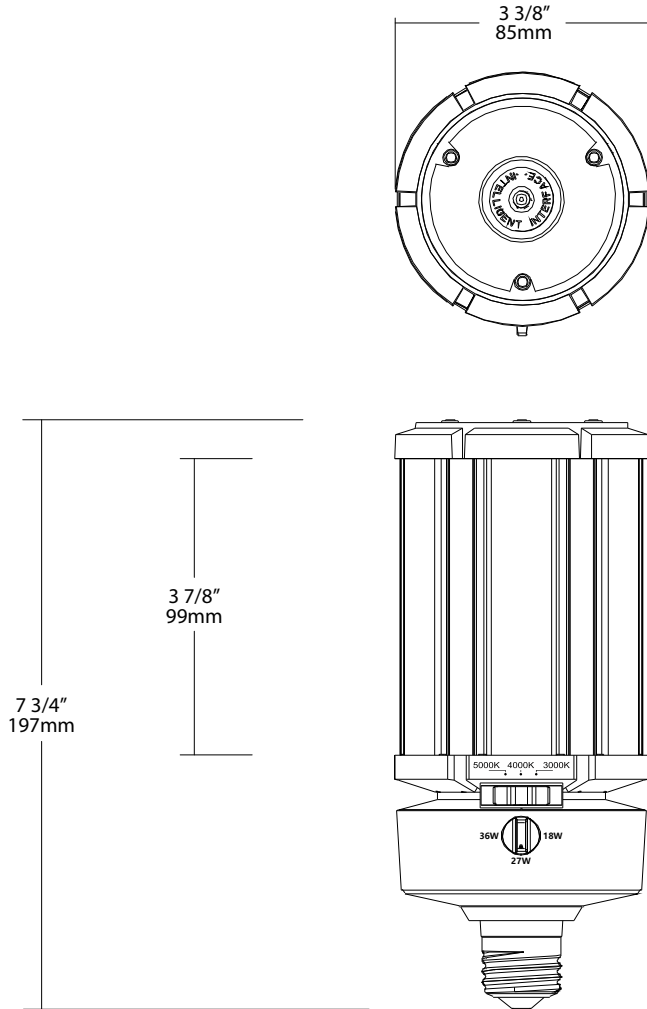


enclosed  
fixture



This lighting equipment meets requirements of ICES-005 issue 5 class B for use in residential applications. Data is based upon tests performed in a controlled environment. Actual performance can vary depending on operating conditions. Specifications are subject to change without notice.

**DIMENSIONS**



Qty	Description	Price

I accept the specifications of the lamp configuration mentioned above.

Name: \_\_\_\_\_

Company: \_\_\_\_\_

Signature: \_\_\_\_\_

Date: \_\_\_\_\_

Data is based upon tests performed in a controlled environment. Actual performance can vary depending on operating conditions. All products are subject to change or may be discontinued any time without notice. Please contact your Stanpro customer service representative to confirm inventory levels at time of order.