

Catalog Number	
Notes	Type

FEATURES & SPECIFICATIONS

INTENDED USE

Recessed frame-in rated Non-IC for new construction or remodel applications.

Approved for all ceiling and wiring types.

CONSTRUCTION

Galvanized steel frame.

Cutout section on frame for remodel applications.

Galvanized bar hangers span up to 24" o.c. and feature built in nailer and T-bar clips.

Galvanized steel junction box with four built in romex clamps; six 3/4" knockouts with slots for pryout. Rated for through branch wiring.

Maximum 8 (4in 4out) No 12 AWG conductors. Rated for 90° C.

Ground wire provided.

Removable J-box doors for easy access.

ELECTRICAL SYSTEM

Durable medium base porcelain socket with nickel plated copper alloy screw shell and contact.

Thermal protection provided against improper insulation use.

120 volt only.

INSTALLATION

2 x 8 wood joist or T-bar installation.

Expandable bar hangers allow for off center mounting in wood joist or T-bar ceilings.

Length of 25-1/4" maximum 13-1/4" minimum or cut to fit 10-1/2" on center joist construction.

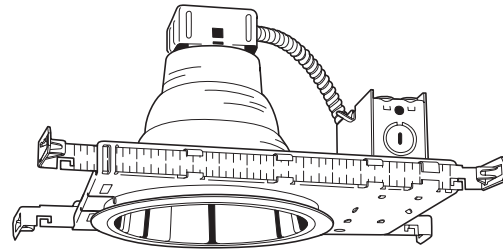
Retaining trim clips hold finishing trim secure and snug to ceiling.

Maximum ceiling thickness 1/2".

LISTING

U.L. Listed to US and Canadian safety standards.

Damp location listed (See trim selection for wet location listing).



**6" Frame-in
LP6**

INCANDESCENT
Non-IC
New or Remodel Construction

Specifications

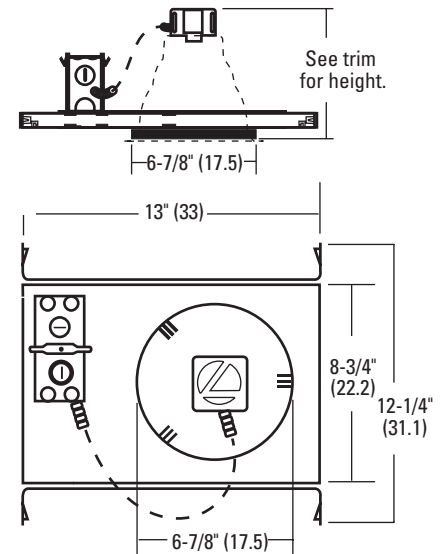
Height: 3-1/2 (8.9)

Trim height varies

Length: 13 (33)

Width: 12-1/4 (31.1)

Ceiling cutout: 6-7/8 (17.5)



All dimensions are inches (centimeters).

ORDERING INFORMATION

For shortest lead times, configure product using **standard options (shown in bold)**.

Example: LP6

LP6	Options
Series	
LP6	<i>Shipped installed in fixture</i> SDT Stepdown transformer (277 line voltage to 120 fixture operating voltage)

Reflector	
602 White open	6SB1 Black baffle sloped reflector
602A Clear diffuse open	6SB1W White baffle sloped reflector
602AZ Clear specular open	6E1 White eyeball
602G Gold diffuse open	6E2 Black baffle eyeball
602GZ Gold semi-specular open	6RE1 Black regressed eyeball
602PR Pewter diffuse open	6RE1W White regressed eyeball
602WTZ Wheat specular open	6RE2 Black baffle regressed eyeball
6M1AZ Clear specular multiplier	6RE2W White baffle regressed eyeball
6M1GZ Gold semi-specular multiplier	6W1 White wallwash
6M1BLZ Black specular multiplier	6W2W White baffle wallwash
6B3 Black baffle with diffuse upper reflector	6AB1 Black baffle par30 adjustable
6B3W White baffle with diffuse upper reflector	6AB1W White baffle par30 adjustable
6B4 Black baffle with white upper reflector	6AC1AZ Clear specular par30 adjustable
6B4W White baffle with white upper reflector	6AC2AZ Clear specular par38 adjustable
6S01 White open slope reflector	6AC2BLZ Black specular par38 adjustable
	6AC2GZ Gold specular par38 adjustable
	6S1 White pinhole
	6LD1 Drop opal lensed ¹
	6LD2 Drop prismatic lensed ¹
	6LF1 Flush opal lensed ¹
	6LF2 Flush prismatic lensed ¹
	6LD3 Drop opal with white splay glass lensed
	6LDB3 Drop opal with black baffle glass lensed
	6LF3 Recessed white glass with white splay lensed
	6LFB3 Recessed white glass with black baffle lensed
	6L4 Recessed fresnel with white splay lensed
	6LB4 Recessed fresnel with black baffle lensed

NOTES:

1. Metal flange standard. For plastic flange add suffix PF.
See reflector Specification Sheets for maximum wattages.

Accessories:

Order as separate catalog number.

CTE Ceiling trim extender

LCMB Channel bar mounting brackets, set of two

LSMC T-bar mounting clips, set of four

6" Incandescent LP6 Photometrics

Distribution curve Distribution data Output data Coefficient of utilization Single luminaire data 30" above floor

6M1AZ, (1) 75W A19 lamp, 1.3 s/mh, 1080 rated lumens, Test no. LTL9690

cp	Lumens	Zone	Lumens % Lamp	pf	20%						Task Height: 2.5ft.	
					pc	80%		70%		50%		
						pw	50%	30%	50%	30%		50%
0	334			0	74	74	72	72	69	69		
5	358			1	68	66	67	65	64	63		
15	403	0° - 30°	315.7 29.2	2	62	59	61	58	59	57		
25	367	0° - 40°	498.0 46.1	3	57	53	56	52	54	51		
35	299	0° - 60°	667.6 61.8	4	52	48	51	47	50	47		
45	192	0° - 90°	670.9 62.1	5	48	43	47	43	46	42		
55	16	90° - 180°	0.0 0.0	6	44	39	43	39	42	39		
65	2			7	40	36	40	36	39	35		
75	1			8	37	33	37	33	36	32		
85	0			9	35	30	34	30	34	30		
90	0			10	32	28	32	28	31	28		

Mounting Height	Initial Center Beam	50% beam - 69.4'		10% beam - 98.8'	
		Diameter	FC	Diameter	FC
8.0	11.0	7.6	5.5	12.8	1.1
10.0	5.9	10.4	3.0	17.5	0.6
12.0	3.7	13.2	1.9	22.2	0.4
14.0	2.5	15.9	1.3	26.8	0.3
16.0	1.8	18.7	0.9	31.5	0.2

6B3 (1) 100W A19 lamp, 1.3 s/mh, 1750 rated lumens, Test no. 2194040901

cp	Lumens	Zone	Lumens % Lamp	pf	20%						Task Height: 2.5ft.	
					pc	80%		70%		50%		
						pw	50%	30%	50%	30%		50%
0	432			0	58	58	57	57	54	54		
5	446			1	54	52	53	51	51	50		
15	493	0° - 30°	416.4 23.8	2	49	47	48	46	47	45		
25	509	0° - 40°	675.4 38.6	3	45	42	44	42	43	41		
35	422	0° - 60°	857.6 49.0	4	41	38	41	38	40	37		
45	206	0° - 90°	857.7 49.0	5	38	35	37	34	37	34		
55	16	90° - 180°	0.0 0.0	6	35	32	35	31	34	31		
65	0			7	32	29	32	29	31	28		
75	0	0° - 180°	857.7 *49.0	8	30	26	30	26	29	26		
85	0			9	28	24	27	24	27	24		
90	0			10	26	22	25	22	25	22		

Mounting Height	Initial Center Beam	50% beam - 71.7'		10% beam - 95.6'	
		Diameter	FC	Diameter	FC
8.0	14.3	7.9	7.1	12.1	1.4
10.0	7.7	10.8	3.8	16.5	0.8
12.0	4.8	13.7	2.4	21.0	0.5
14.0	3.3	16.6	1.6	25.4	0.3
16.0	2.4	19.5	1.2	29.8	0.2