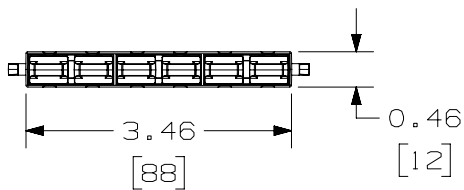
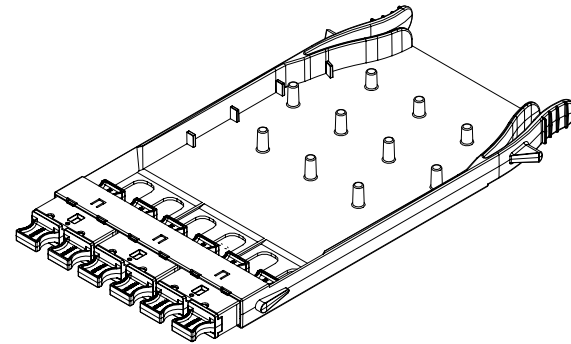
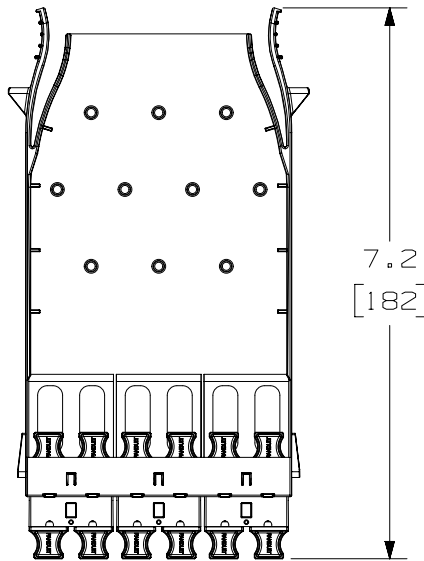


THIS COPY IS PROVIDED ON A RESTRICTED BASIS AND IS NOT TO BE USED IN ANY WAY DETRIMENTAL TO THE INTERESTS OF PANDUIT CORP.

NOTES:


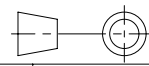
1. SEE CURRENT CATALOG FOR PART NUMBER SUFFIXES TO INDICATE COLOR AND/OR PACKAGE QUANTITIES.
2. SEE CATALOG FOR COMPLETE LIST OF PARTS APPLICABLE FOR USE WITH THIS PRODUCT.
3. PART NUMBERS:SEE TABLE
4. MATERIALS:
 A. FIBER ADAPTER PANEL: PLASTIC
 B. ADAPTER: COMPOSITE PLASTIC
5. FIBER ADAPTER PANEL WEIGHT: 3.53oz [100g]
6. DIMENSIONS IN BRACKETS ARE METRIC.



FRONT VIEW

HD FLEX FIBER ADAPTER PANEL 6-PORT MPO CASSETTE		
PART NUMBER	DISCRIPTION	ADAPTER COLOR
FHMP-6-ABL	DUPLEX MPO ADAPTER (KEY UP/KEY DOWN)	BLACK
FHMP-6-BCG	DUPLEX MPO ADAPTER (KEY UP/KEY UP)	GREY
FHMP-6-ARD	DUPLEX MPO ADAPTER (KEY UP/KEY DOWN)	RED
FHMW-6-ABL	OM5+ DUPLEX MPO ADAPTER (KEY UP/KEY DOWN)	BLACK (LIME PLUGS)
FHMW-6-BCG	OM5+ DUPLEX MPO ADAPTER (KEY UP/KEY UP)	GREY (LIME PLUGS)

REV	DATE	BY	CHK	APR	DESCRIPTION	ECN
03A	10-31-17	SAT	JGD	AW	A. ADDED P/N FHMW-6-ABL & FHMW-6-BCG.	12F187HP-DC
00	01-15-15	SAT	JESA	RAR	RELEASED TO PRODUCTION	12F187HP-DC

TITLE			
HD FLEX FIBER ADAPTER PANEL 6-PORT MPO CASSETTE			
CUSTOMER DRAWING			
ITEM REVISION NAME		12F187HP/03	
DATASET FILE NAME		12F187HP_DC/03A	
ALL DIMENSIONS ARE FOR REFERENCE			 MATERIAL: SEE NOTES
 THIRD ANGLE PROJECTION			
DRAWN BY		DATE	DRAWING NUMBER:
SAT	01-12-15	JESA	12F187HP-DC
CHK	SCALE	SHT 1 OF 1	SIZE
JESA	NONE		A