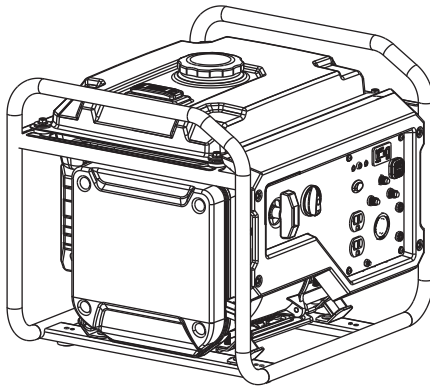




*GP3500iO Portable Generator*  
*Owner's Manual*



MODEL: \_\_\_\_\_

SERIAL: \_\_\_\_\_

DATE PURCHASED: \_\_\_\_\_



**WARNING**

Loss of life. This product is not intended to be used in a critical life support application. Failure to adhere to this warning could result in death or serious injury.

(000209b)

Register your Generac product at:  
[WWW.GENERAC.COM](http://WWW.GENERAC.COM)  
1-888-GENERAC  
(1-888-436-3722)

**SAVE THIS MANUAL FOR FUTURE REFERENCE**

# Table of Contents

---

## **Section 1 Introduction and Safety 1**

Introduction .....	1
Safety Rules .....	1
Safety Symbols and Meanings .....	1
Exhaust and Location Hazards .....	2
Electrical Hazards .....	3
Fire Hazards .....	3
Standards Index .....	3

## **Section 2 General Information and Setup 4**

Know Your Generator .....	5
Emissions .....	5
Connection Plugs .....	6
Off/On/Choke Switch .....	6
USB Outlets .....	6
Economy Switch .....	6
Generator Status Lights .....	6
Circuit Protectors .....	7
Remove Contents from Carton .....	7
Add Engine Oil .....	7
Fuel .....	8

## **Section 3 Operation 9**

Operation and Use Questions .....	9
Before Starting Engine .....	9
Prepare Generator for Use .....	9
Grounding the Generator When In Use .....	9
Know Generator Limits .....	9
Transporting/Tipping of the Unit .....	10
Starting Pull Start Engines .....	10
Starting Hot Engines .....	11
Low Oil Level Shutdown System .....	11
Parallel Operation .....	11

## **Section 4 Maintenance and**

<b>Troubleshooting 12</b>	
Maintenance .....	12
Maintenance Schedule .....	12
Preventive Maintenance .....	12
Engine Maintenance .....	12
Storage .....	15
Troubleshooting .....	16

### **WARNING**

Operating, servicing and maintaining this equipment can expose you to chemicals including engine exhaust, carbon monoxide, phthalates, and lead, which are known to the State of California to cause cancer and birth defects or other reproductive harm. To minimize exposure, avoid breathing exhaust, do not idle the engine except as necessary, service your equipment in a well-ventilated area and wear gloves or wash your hands frequently when servicing your equipment.

For more information go to  
[www.P65Warnings.ca.gov](http://www.P65Warnings.ca.gov)

(000393)

# Section 1 Introduction and Safety

## Introduction

Thank you for purchasing a Generac Power Systems Inc. product. This unit has been designed to provide high-performance, efficient operation, and years of use when maintained properly.



### ⚠️ WARNING

Consult Manual. Read and understand manual completely before using product. Failure to completely understand manual and product could result in death or serious injury. (000100a)

If any section of the manual is not understood, contact your nearest Independent Authorized Service Dealer (IASD), or contact Generac Customer Service at 1-888-GENERAC (1-888-436-3722), or [www.generac.com](http://www.generac.com) with any questions or concerns.

The owner is responsible for proper maintenance and safe use of the equipment. Before operating, servicing or storing this generator:

- Study all warnings in this manual and on the product carefully.
- Become familiar with this manual and the unit before use.
- Refer to the Assembly section of the manual for instructions on final assembly procedures. Follow the instructions completely.

Save these instructions for future reference. ALWAYS supply this manual to any individual that will use this machine.

The information in this manual is accurate based on products produced at the time of publication. The manufacturer reserves the right to make technical updates, corrections, and product revisions at any time without notice.

## Safety Rules

The manufacturer cannot anticipate every possible circumstance that might involve a hazard. The warnings in this manual, and on tags and decals affixed to the unit are, therefore, not all inclusive. If using a procedure, work method or operating technique that the manufacturer does not specifically recommend, verify that it is safe for others. Also make sure the procedure, work method or operating technique utilized does not render the equipment unsafe.

Throughout this publication, and on tags and decals affixed to the generator, DANGER, WARNING, CAUTION and NOTE blocks are used to alert personnel to special instructions about a particular operation that may be hazardous if performed incorrectly or carelessly. Observe them carefully. Their definitions are as follows:

### ⚠️ DANGER

Indicates a hazardous situation which, if not avoided, will result in death or serious injury.

(000001)

### ⚠️ WARNING

Indicates a hazardous situation which, if not avoided, could result in death or serious injury.

(000002)

### ⚠️ CAUTION

Indicates a hazardous situation which, if not avoided, could result in minor or moderate injury.

(000003)

**NOTE:** Notes contain additional information important to a procedure and will be found within the regular text of this manual.

These safety warnings cannot eliminate the hazards that they indicate. Common sense and strict compliance with the special instructions while performing the action or service are essential to preventing accidents.

## Safety Symbols and Meanings

⚠️ DANGER	
Using a generator indoors <b>CAN KILL YOU IN MINUTES</b> . Generator exhaust contains carbon monoxide. This is a poison you cannot see or smell.	
 NEVER use inside a home or garage, EVEN IF doors and windows are open.	 Only use OUTSIDE and far away from windows, doors, and vents.

000657



### ⚠️ DANGER

Asphyxiation. Running engines produce carbon monoxide, a colorless, odorless, poisonous gas. Carbon monoxide, if not avoided, will result in death or serious injury. (000103)

- If you start to feel sick, dizzy, or weak after the generator has been running, move to fresh air IMMEDIATELY. See a doctor, as you could have carbon monoxide poisoning.



**▲ DANGER**

Asphyxiation. The exhaust system must be properly maintained. Do not alter or modify the exhaust system as to render it unsafe or make it noncompliant with local codes and/or standards. Failure to do so will result in death or serious injury. (000179b)



**▲ DANGER**

Electrocution. Water contact with a power source, if not avoided, will result in death or serious injury. (000104)



**▲ DANGER**

Electrocution. Turn utility and emergency power supplies to OFF before connecting power source and load lines. Failure to do so will result in death or serious injury. (000116)

**▲ WARNING**

Equipment and property damage. Do not alter construction of, installation, or block ventilation for generator. Failure to do so could result in unsafe operation or damage to the generator. (000146)



**▲ WARNING**

Asphyxiation. Always use a battery operated carbon monoxide alarm indoors and installed according to the manufacturer's instructions. Failure to do so could result in death or serious injury. (000178a)

**▲ WARNING**

Equipment and property damage. Do not operate unit on uneven surfaces, or areas of excessive moisture, dirt, dust or corrosive vapors. Doing so could result in death, serious injury, property and equipment damage. (000250)



**▲ WARNING**

Moving Parts. Keep clothing, hair, and appendages away from moving parts. Failure to do so could result in death or serious injury. (000111)



**▲ WARNING**

Hot Surfaces. When operating machine, do not touch hot surfaces. Keep machine away from combustibles during use. Hot surfaces could result in severe burns or fire. (000108)

**▲ WARNING**

Personal injury. Do not insert any object through the air cooling slots. Generator can start at any time and could result in death, serious injury, and unit damage. (000142a)

**▲ WARNING**

Risk of injury. Do not operate or service this machine if not fully alert. Fatigue can impair the ability to service this equipment and could result in death or serious injury. (000215)

**▲ WARNING**

Injury and equipment damage. Do not use generator as a step. Doing so could result in falling, damaged parts, unsafe equipment operation, and could result in death or serious injury. (000216)

**▲ WARNING**

Equipment damage. Do not attempt to start or operate a unit in need of repair or scheduled maintenance. Doing so could result in serious injury, death, or equipment failure or damage. (000291)

- For safety reasons, it is recommended that the maintenance of this equipment be performed by an IASD. Inspect the generator regularly, and contact the nearest IASD for parts needing repair or replacement.

## Exhaust and Location Hazards



**▲ DANGER**

Asphyxiation. Running engines produce carbon monoxide, a colorless, odorless, poisonous gas. Carbon monoxide, if not avoided, will result in death or serious injury. (000103)



**▲ DANGER**

Asphyxiation. The exhaust system must be properly maintained. Do not alter or modify the exhaust system as to render it unsafe or make it noncompliant with local codes and/or standards. Failure to do so will result in death or serious injury. (000179b)

**▲ WARNING**

Equipment and property damage. Do not alter construction of, installation, or block ventilation for generator. Failure to do so could result in unsafe operation or damage to the generator. (000146)



**▲ WARNING**

Asphyxiation. Always use a battery operated carbon monoxide alarm indoors and installed according to the manufacturer's instructions. Failure to do so could result in death or serious injury. (000178a)

- If you start to feel sick, dizzy, or weak after the generator has been running, move to fresh air IMMEDIATELY. See a doctor, as you could have carbon monoxide poisoning.
- Point muffler exhaust away from people and occupied buildings.
- Minimum generator placement distance of five feet from windows, doors, or openings in walls with engine exhaust directed away from occupied buildings and if possible downwind.

---

## Electrical Hazards



### ⚠ DANGER

Electrocution. Contact with bare wires, terminals, and connections while generator is running will result in death or serious injury. (000144)



### ⚠ DANGER

Electrocution. Water contact with a power source, if not avoided, will result in death or serious injury.

(000104)



### ⚠ DANGER

Electrocution. In the event of electrical accident, immediately shut power OFF. Use non-conductive implements to free victim from live conductor. Apply first aid and get medical help. Failure to do so will result in death or serious injury. (000145)

- The National Electric Code (NEC) requires the frame and external electrically conductive parts of the generator be properly connected to an approved earth ground. Local electrical codes may also require proper grounding of the generator. Consult with a local electrician for grounding requirements in the area.
- Use a ground fault circuit interrupter in any damp or highly conductive area (such as metal decking or steel work).
- Once generator has been started outside, connect electrical loads to extension cord(s) inside.

## Fire Hazards



### ⚠ DANGER

Explosion and Fire. Fuel and vapors are extremely flammable and explosive. Add fuel in a well ventilated area. Keep fire and spark away. Failure to do so will result in death or serious injury. (000105)



### ⚠ DANGER

Explosion and Fire. Do not overfill fuel tank. Fill to 1/2 inch from top of tank to allow for fuel expansion. Overfilling may cause fuel to spill onto engine causing fire or explosion, which will result in death or serious injury. (000166b)

### ⚠ WARNING

Personal injury. Do not insert any object through the air cooling slots. Generator can start at any time and could result in death, serious injury, and unit damage.

(000142a)



### ⚠ WARNING

Fire risk. Fuel and vapors are extremely flammable. Do not operate indoors. Doing so could result in death, serious injury, or property or equipment damage. (000281)



### ⚠ WARNING

Explosion and fire risk. Do not smoke near unit. Keep fire and spark away. Failure to do so could result in death, serious injury, or property or equipment damage. (000282)



### ⚠ WARNING

Explosion and Fire. Do not smoke while refueling unit. Failure to do so could result in death, serious injury, or property or equipment damage. (000284a)

- Wipe up any fuel or oil spills immediately. Verify that no combustible materials are left on or near the generator. Keep the area surrounding the generator clean and free from debris and keep a clearance of five (5) feet on all sides to allow for proper ventilation of the generator.
- Do not operate the generator if connected electrical devices overheat, if electrical output is lost, if engine or generator sparks or if flames or smoke are observed while unit is running.
- Keep a fire extinguisher near the generator at all times.

## Standards Index

1. National Fire Protection Association (NFPA) 70: The NATIONAL ELECTRIC CODE (NEC) available from [www.nfpa.org](http://www.nfpa.org)
2. National Fire Protection Association (NFPA) 5000: BUILDING CONSTRUCTION AND SAFETY CODE available from [www.nfpa.org](http://www.nfpa.org)
3. International Building Code available from [www.iccsafe.org](http://www.iccsafe.org)
4. Agricultural Wiring Handbook available from [www.rerc.org](http://www.rerc.org), Rural Electricity Resource Council P.O. Box 309 Wilmington, OH 45177-0309
5. ASAE EP-364.2 Installation and Maintenance of Farm Standby Electric Power available from [www.asabe.org](http://www.asabe.org), American Society of Agricultural & Biological Engineers 2950 Niles Road, St. Joseph, MI 49085
6. CSA C22.2 100-14 Electric motors and generators for installation and use, in accordance with the Rules of the Canadian Electrical Code
7. ANSI/PGMA G300 Safety and Performance of Portable Generators. Portable Generator Manufacturer's Association, [www.pgmaonline.com](http://www.pgmaonline.com)

This list is not all inclusive. Check with the Authority Having Jurisdiction (AHJ) for any local codes or standards which may be applicable to your jurisdiction.

## Section 2 General Information and Setup

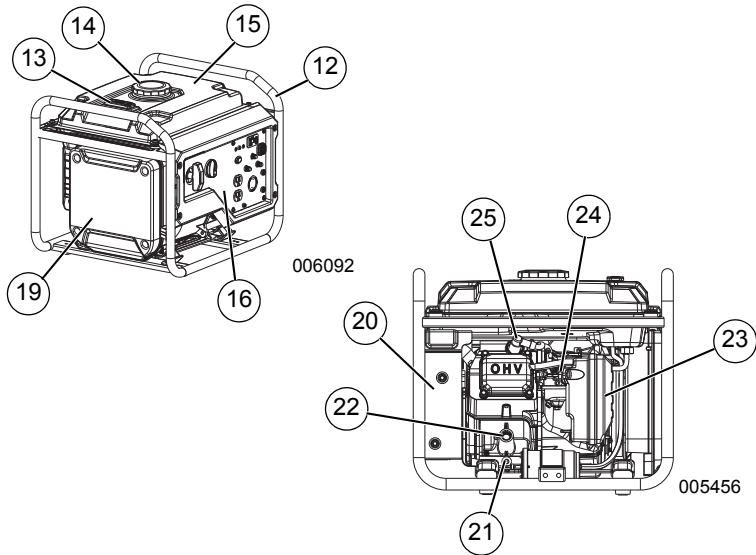


Figure 2-1. Features and Controls

TABLE 1. Generator Components

1	Low Oil Warning
2	Overload Warning
3	AC Power Light
4	Hour Meter
5	1A/2.1A, 5 VDC USB Outlet
6	AC Breaker
7	120V, 30A Receptacle (NEMA L5-30R)
8	Grounding Location
9	120V, 20A Receptacle
10	Parallel Outlets
11	Engine Smart Control (ESC)
12	Frame
13	Fuel Gauge
14	Fuel Tank Cap
15	Fuel Tank
16	Control Panel
17	Off/On/Choke Switch
18	Recoil Starter
19	Inverter Module
20	Muffler

21	Oil Drain
22	Oil Fill
23	Air Cleaner
24	Carburetor
25	Spark Plug

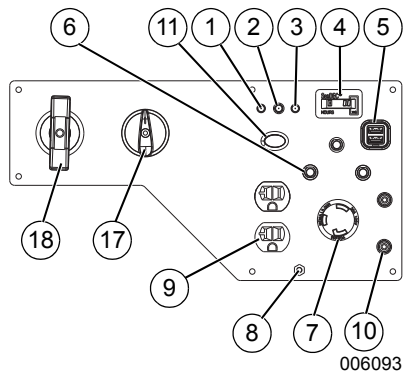


Figure 2-2. Control Panel

## Know Your Generator



### ⚠WARNING

Consult Manual. Read and understand manual completely before using product. Failure to completely understand manual and product could result in death or serious injury. (000100a)

Replacement owner's manuals are available at [www.generac.com](http://www.generac.com).

## Emissions

The United States Environmental Protection Agency (US EPA) (and California Air Resources Board (CARB), for engines/equipment certified to California standards) requires that this engine/equipment complies with exhaust and evaporative emissions standards. Locate the emissions compliance decal on the engine to determine applicable standards. For emissions warranty information, please reference the included emissions warranty. It is important to follow the maintenance specifications in the manual to ensure that the engine complies with the applicable emissions standards for the duration of the product's life.

**TABLE 2. Product Specifications**

<b>Generator Specifications</b>	<b>3500iO</b>
Rated Power	3000 W
Starting Power	3500 W
Rated AC Voltage	120V
Rated AC Load at 120V	25 Amps**
Rated Frequency	60 Hz
Dimensions L x W x H (in/mm)	19.2 x 16.9 x 16.4 (490 x 430 x 417)
Weight (dry)	75 lb. (34 kg)
** Operating Temperature Range: -13 deg. C (8 deg. F) to 40 Deg. C (104 Deg. F). When operated above 25 deg. C (77 deg. F) there may be a decrease in power.	
** Maximum wattage and current are subject to, and limited by, such factors as fuel Btu content, ambient temperature, altitude, engine condition, etc.. Maximum power decreases about 3.5% for each 1,000 feet above sea level; and will also decrease about 1% for each 6° C (10° F) above 16° C (60° F) ambient temperature.	
<b>Engine Specifications</b>	<b>3500iO</b>
Engine Type	Single Cylinder, 4-stroke
Displacement	212 cc
Spark Plug Part Number	0J00620106
Spark Plug Type	F7TC / F7RTC / BPR6ES or equivalent
Spark Plug Gap (in/mm)	0.024-0.028 (0.6-0.7)
Fuel Capacity / Type	9 L (2.37 U.S. gallons) / Unleaded
Oil Type	See <a href="#">Add Engine Oil</a>
Oil Capacity	0.6 L (0.6 qt.)
Run Time at 50% Load	8.0 Hours
* Go to <a href="http://www.generac.com">www.generac.com</a> or contact an IASD for replacement parts.	

## Connection Plugs

### 120 VAC, Duplex Receptacle

The 120 Volt outlet is overload protected by the 20 Amp push button circuit protector. See [Figure 2-3](#).

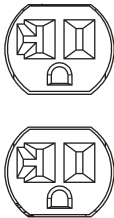


Figure 2-3. 120 VAC, Duplex Receptacle

### 120 VAC, 30 Amp Receptacle

Use a NEMA L5-30R plug with this receptacle. Connect a suitable 3-wire cord set to the plug and to desired load. The cord set should be rated for 125 Volts AC at 30 Amps (or greater). See [Figure 2-4](#).

Use this receptacle to operate 120 Volt AC, 60Hz, single phase loads requiring up to 3500 watts, 30 Amps starting power and 3000 watts of continuous power at 25 Amps. The outlet is protected by a 30 Amp push-to-reset circuit breaker.

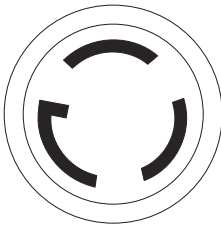


Figure 2-4. 120 VAC, 30 Amp Receptacle  
NEMA L5-30R

### Off/On/Choke Switch

This controls the ON/OFF functions, choke and fuel valve operation. See [Figure 2-5](#).

- The OFF position (1) stops the engine and shuts off fuel flow.
- The ON position (2) is for normal operation and to gradually reduce the use of the choke.
- The CHOKE position (3) switches the fuel valve on to start the engine.

**NOTE:** The CHOKE is not required to start a warm engine.

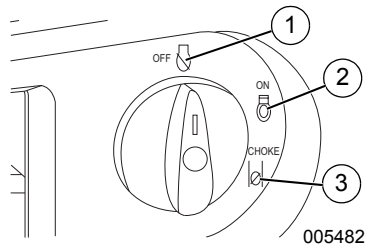


Figure 2-5. Switch (example)

### USB Outlets

The 5 VDC, 1/2.1 Amp USB outlet allows charging of compatible electronic devices.

### Economy Switch

The economy switch has 2 modes of operation:

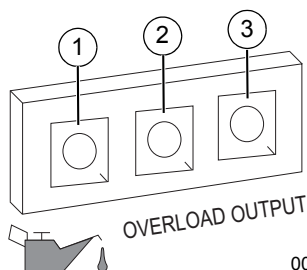
- **On:** The quietest mode and best when running appliances or equipment that are resistive loads (non-motor starting), (example: TV, video game, light, radio).
- **Off:** Best when running a both inductive (motor-starting loads) and resistive (non-motor starting loads), especially when these loads are turning on and off (example: RV, air conditioner, hairdryer).

### Generator Status Lights

See [Figure 2-6](#).

- **Overload LED (red):** Indicates system overload (2). During motor starting it is normal for the overload LED to illuminate for a few seconds. If LED stays illuminated and the ready LED turns off, the engine will continue to run without output power. Remove all applied loads and determine if attached devices exceed recommended output power. Check for faulty or shorted connections. To restore electrical output, turn dial OFF to reset. Start engine. If condition was corrected, the orange LED will not illuminate and electrical output will be restored. Loads can be applied once the green LED illuminates. If the orange LED returns, contact an IASD.
- **Low Oil Level LED (yellow):** Illuminates when oil level is below safe operating level. Engine shuts down (1).
- **Power LED (green):** Indicates output from generator (3) (unless there is a low oil or overload condition).





005483

Figure 2-6. Status Indicators

## Circuit Protectors

The AC receptacles are protected by an AC circuit protector. If the generator is overloaded or an external short circuit occurs, the circuit protector will trip. If this occurs, disconnect all electrical loads to determine the cause of the problem before using the generator again. Reduce the load if the circuit protector is tripped.

**NOTE:** Continuous tripping of the circuit protector may cause damage to generator or equipment.

Push the button of the protector to reset the circuit protector.

## Remove Contents from Carton

1. Open carton completely by cutting each corner from top to bottom.
2. Remove and verify carton contents prior to assembly. Carton contents should contain the following:

TABLE 3. Accessories

Item	Qty.
Main Unit	1
Owner's Manual	1
Engine Oil	1
Oil Funnel	1
Tool Kit	1
Service Warranty	1
Emissions Warranty	1

3. Call Generac Customer Service at 1-888-GENERAC (1-888-436-3722) with the unit model and serial number for any missing carton contents.
4. Record model, serial number, and date of purchase on front cover of this manual.

## Add Engine Oil

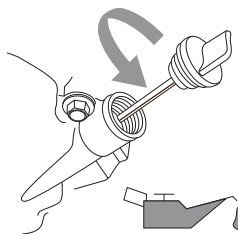


Engine damage. Verify proper type and quantity of engine oil prior to starting engine. Failure to do so could result in engine damage.

(000135)

**NOTE:** The generator is shipped without oil in the engine. Add oil slowly and verify oil level often during filling process to ensure overfilling does not occur.

1. Place generator on a level surface.
2. Clean area around oil fill and oil drain plug.
3. Remove oil fill cap and wipe dipstick clean. See [Figure 2-7](#).

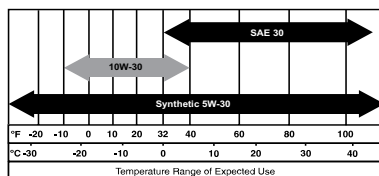


000115

Figure 2-7. Remove Dipstick

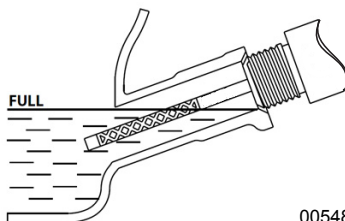
4. Insert funnel into oil fill opening. Add recommended engine oil as necessary. Climate determines proper engine oil viscosity. See chart to select correct viscosity.

**NOTE:** Use petroleum based oil (supplied) for engine break-in before using synthetic oil.



000399

5. To check oil level, remove funnel and insert dipstick into oil filler neck. See [Figure 2-8](#).



005484

Figure 2-8. Safe Operating Range

- 
- Remove dipstick and verify oil level is within safe operating range.

**NOTE:** Verify oil level often during filling process to ensure overfilling does not occur.

- Install oil fill cap/dipstick and hand-tighten.

## Fuel



### ▲ DANGER

Explosion and Fire. Fuel and vapors are extremely flammable and explosive. Add fuel in a well-ventilated area. Keep fire and spark away. Failure to do so will result in death or serious injury.

(000105)



### ▲ DANGER

Explosion and Fire. Do not overfill fuel tank. Fill to 1/2 inch from top of tank to allow for fuel expansion. Overfilling may cause fuel to spill onto engine causing fire or explosion, which will result in death or serious injury.

(000166b)

Fuel requirements are as follows:

- Clean, fresh, unleaded gasoline.
  - Minimum rating of 87 octane/87 AKI (91 RON).
  - Up to 10% ethanol (gasohol) is acceptable.
  - DO NOT use E85.
  - DO NOT use a gas oil mix.
  - DO NOT modify engine to run on alternate fuels. Stabilize fuel prior to storage.
- Verify unit is OFF and cooled entirely prior to fueling.
  - Place unit on level ground in a well-ventilated area.



### ▲ WARNING

Explosion and Fire. Verify fuel cap vent is set to ON for operation, and OFF for transportation and storage. Failure to do so could result in poor unit performance, death, or serious injury.

(000362)

- Clean area around fuel cap.
- Turn cap slowly to remove.
- Slowly add recommended fuel. Do not overfill.
- Install fuel cap.

**NOTE:** Allow spilled fuel to evaporate before starting unit.

**IMPORTANT NOTE:** It is important to prevent gum deposits from forming in fuel system parts such as the carburetor, fuel hose or tank during storage. Alcohol-blended fuels (called gasohol, ethanol or methanol) can attract moisture, which leads to separation and formation of acids during storage. Acidic gas can damage the fuel system of an engine while in storage. To avoid engine problems, the fuel system should be emptied before storage of 30 days or longer. See the [Storage](#) section. Never use engine or carburetor cleaner products in the fuel tank as permanent damage may occur.

## Section 3 Operation

### Operation and Use Questions

Call Generac Customer Service at 1-888-GENERAC (1-888-436-3722) with questions or concerns about equipment operation and maintenance.

### Before Starting Engine

1. Verify engine oil level is correct.
2. Verify fuel level is correct.
3. Verify unit is secure on level ground, with proper clearance and is in a well ventilated area.

### Prepare Generator for Use



#### **⚠ DANGER**

Asphyxiation. Running engines produce carbon monoxide, a colorless, odorless, poisonous gas. Carbon monoxide, if not avoided, will result in death or serious injury. (000103)



#### **⚠ DANGER**

Asphyxiation. The exhaust system must be properly maintained. Do not alter or modify the exhaust system as to render it unsafe or make it noncompliant with local codes and/or standards. Failure to do so will result in death or serious injury. (000179b)



#### **⚠ WARNING**

Risk of fire. Do not use generator without spark arrestor installed. Failure to do so could result in death or serious injury. (000118a)



#### **⚠ WARNING**

Asphyxiation. Always use a battery operated carbon monoxide alarm indoors and installed according to the manufacturer's instructions. Failure to do so could result in death or serious injury. (000178a)



#### **⚠ WARNING**

Risk of Fire. Hot surfaces could ignite combustibles, resulting in fire. Fire could result in death or serious injury. (000110)



#### **⚠ WARNING**

Hot Surfaces. When operating machine, do not touch hot surfaces. Keep machine away from combustibles during use. Hot surfaces could result in severe burns or fire. (000108)

#### **⚠ CAUTION**

Equipment and property damage. Disconnect electrical loads prior to starting or stopping unit. Failure to do so could result in equipment and property damage. (000136)

### Grounding the Generator When In Use

The generator is equipped with an equipment ground connecting the generator frame and the ground terminals on the AC output receptacles (see NEC 250.34 (A)). This allows the generator to be used as a portable without grounding the frame of the generator as specified in NEC 250.34. See [Figure 3-1](#).

- Neutral Floating

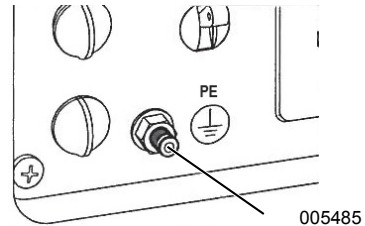


Figure 3-1. Grounding the Generator

The generator (stator winding) is isolated from the frame and from the AC receptacle ground pin. Electrical devices that require a grounded receptacle pin connection will not function if the receptacle ground pin is not functional.

### Know Generator Limits

Overloading a generator can result in damage to the generator and connected electrical devices. Observe the following to prevent overload:

- Add up the total wattage of all electrical devices to be connected at one time. This total should NOT be greater than the generator's wattage capacity.
  - The rated wattage of lights can be taken from light bulbs. The rated wattage of tools, appliances, and motors can be found on a data label or decal affixed to the device.
  - If the appliance, tool, or motor does not give wattage, multiply volts times ampere rating to determine watts (volts x amps = watts).
  - Some electric motors, such as induction types, require about three times more watts of power for starting than for running. This surge of power lasts only a few seconds when starting such motors. Make sure to allow for high starting wattage when selecting electrical devices to connect to the generator:
1. Figure the watts needed to start the largest motor.
  2. Add to that figure the running watts of all other connected loads.

**Wattage Reference Guide** is provided to assist in determining how many items the generator can operate at one time.

**NOTE:** All figures are approximate. See data label on appliance for wattage requirements.

**Wattage Reference Guide**

Device	Running Watts
*Air Conditioner (12,000 Btu)	1700
*Air Conditioner (24,000 Btu)	3800
*Air Conditioner (40,000 Btu)	6000
Battery Charger (20 Amp)	500
Belt Sander (3")	1000
Chain Saw	1200
Circular Saw (6-1/2")	800 to 1000
*Clothes Dryer (Electric)	5750
*Clothes Dryer (Gas)	700
*Clothes Washer	1150
Coffee Maker	1750
*Compressor (1 HP)	2000
*Compressor (3/4 HP)	1800
*Compressor (1/2 HP)	1400
Curling Iron	700
*Dehumidifier	650
Disc Sander (9")	1200
Edge Trimmer	500
Electric Blanket	400
Electric Nail Gun	1200
Electric Range (per element)	1500
Electric Skillet	1250
*Freezer	700
*Furnace Fan (3/5 HP)	875
*Garage Door Opener	500 to 750
Hair Dryer	1200
Hand Drill	250 to 1100
Hedge Trimmer	450
Impact Wrench	500
Iron	1200
*Jet Pump	800
Lawn Mower	1200
Light Bulb	100
Microwave Oven	700 to 1000
*Milk Cooler	1100
Oil Burner on Furnace	300
Oil Fired Space Heater (140,000 Btu)	400
Oil Fired Space Heater (85,000 Btu)	225

Oil Fired Space Heater (30,000 Btu)	150
*Paint Sprayer, Airless (1/3 HP)	600
Paint Sprayer, Airless (hand-held)	150
Radio	50 to 200
*Refrigerator	700
Slow Cooker	200
*Submersible Pump (1-1/2 HP)	2800
*Submersible Pump (1 HP)	2000
*Submersible Pump (1/2 HP)	1500
*Sump Pump	800 to 1050
*Table Saw (10")	1750 to 2000
Television	200 to 500
Toaster	1000 to 1650
Weed Trimmer	500
* Allow 3 times the listed watts for starting these devices.	

**Transporting/Tipping of the Unit**

Do not store or transport the unit at an angle greater than 15 degrees.

**Starting Pull Start Engines**



**WARNING**

Recoil Hazard. Recoil could retract unexpectedly. Kickback could result in death or serious injury.

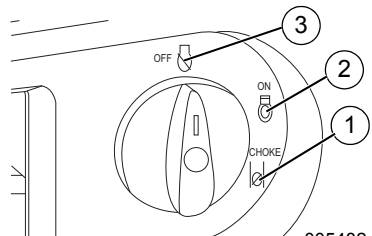
(000183)

**CAUTION**

Equipment and property damage. Disconnect electrical loads prior to starting or stopping unit. Failure to do so could result in equipment and property damage.

(000136)

1. See **Figure 3-2**. Rotate the Off/On/Choke switch to CHOKE (1).
2. Switch Economy switch to OFF.
3. Firmly grasp recoil handle and pull slowly until increased resistance is felt. Pull rapidly up and away.



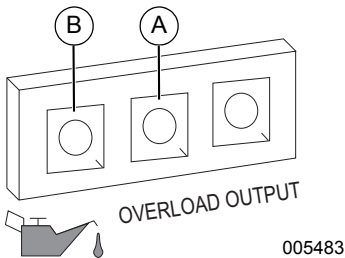
005482

**Figure 3-2. Off/On/Choke Positions**

- See [Figure 3-2](#). When engine starts, rotate Off/On/Choke dial to ON (2). Choke operation is reduced as Off/On/Choke dial is rotated towards ON.

**NOTE:** If engine fires, but does not continue to run, rotate the Off/On/Choke dial to OFF and repeat starting instructions.

**IMPORTANT NOTE: Do not overload generator or individual panel receptacles. See [Figure 3-3](#). If an overload occurs, the overload LED (A) will illuminate and AC output ceases. To correct, see [Generator Status Lights](#). Read [Know Generator Limits](#) carefully.**



**Figure 3-3. Shutdown Fault**

## Generator Shut Down

### ⚠ CAUTION

Equipment and property damage. Disconnect electrical loads prior to starting or stopping unit. Failure to do so could result in equipment and property damage.

(000136)

- Shut off all loads and unplug electrical loads from generator panel receptacles.
- Let engine run at no-load for several minutes to stabilize internal temperatures of engine and generator.
- See [Figure 3-2](#) Rotate Off/On/Choke dial to OFF (3).
- Turn fuel cap OFF.

## Starting Hot Engines

### ⚠ CAUTION

Equipment and property damage. Disconnect electrical loads prior to starting or stopping unit. Failure to do so could result in equipment and property damage.

(000136)

- See [Figure 3-2](#). Turn Off/On/Choke dial from STOP to ON. This will open the fuel valve and permit starting.
- Firmly grasp recoil handle and pull slowly until increased resistance is felt. Pull rapidly up and away.

## Low Oil Level Shutdown System

The engine is equipped with a low oil level sensor that shuts down the engine automatically when the oil level drops below a specified level to prevent engine damage. See [Figure 3-3](#) (B). The engine will not run until the oil has been filled to the proper level.

If the engine shuts down and there is sufficient fuel, check engine oil level.

## Parallel Operation

See the Parallel Kit Operator's Manual or contact an IASD.

**NOTE:** All connections to the parallel kit should be made while both inverters are turned off and all loads disconnected.

- Make sure the Engine Economy Switch is in the same position on both generators.
- Make appropriate parallel connections to the outlets on each Generac inverter as outlined in the owner's manual supplied with the kit.

**NOTE:** Do not disconnect any parallel kit connections once the units are running.

- Start both units per starting instructions. Once the green output indicator illuminates, devices can be connected and turned on using the parallel kit outlet.
- Follow [Generator Shut Down](#) instructions.

**NOTE:** Only use Generac approved parallel kit.

## Section 4 Maintenance and Troubleshooting

### Maintenance

Regular maintenance will improve performance and extend engine/equipment life. Generac Power Systems, Inc. recommends that all maintenance work be performed by an Independent Authorized Service Dealer (IASD). Regular maintenance, replacement, or repair of the emissions control devices and systems may be performed by any repair shop or person of the owner's choosing. To obtain emissions control warranty service free of charge, the work must be performed by an IASD. See the emissions warranty.

**NOTE:** Call 1-888-GENERAC (1-888-436-3722) with questions about component replacement.

### Maintenance Schedule

Follow maintenance schedule intervals, whichever occurs first according to use.

**NOTE:** Adverse conditions will require more frequent service.

**NOTE:** All required service and adjustments should be each season as detailed in the following chart.

At Each Use
Check engine oil level
Every 100 Hours or Every 6 Months
Clean/Replace Air Filter**
Change oil †
Muffler Screen
Clean/Replace Spark Arrestor
Every 300 Hours or Every Season*
Replace Spark Plug
Clean Spark Arrestor
Replace Fuel Filter +
Valve Clearance Adjustment
Check/Replace Crankcase Breather Hose
Check Cylinder Head +
Check Fittings/Fasteners +
† Change oil after first month or 20 hours of operation. + To be performed by IASD. * Change oil every month when operating under heavy load or in high temperatures. ** Clean more often under dirty or dusty operating conditions. Replace air filter parts if they cannot be adequately cleaned. *** Check valve clearance and adjust if necessary after first 50 hours of operation and every 300 hours thereafter.

### Preventive Maintenance

Dirt or debris can cause improper operation and equipment damage. Clean generator daily or before each use. Keep area around and behind muffler free from combustible debris. Inspect all cooling air openings on generator.

#### **WARNING**

Personal injury. Do not insert any object through the air cooling slots. Generator can start at any time and could result in death, serious injury, and unit damage.

(000142a)

- Use a damp cloth to wipe exterior surfaces clean.
- Use a soft bristle brush to loosen caked on dirt, oil, etc.
- Use a vacuum to pick up loose dirt and debris.
- Low pressure air (not to exceed 25 psi) may be used to blow away dirt. Inspect cooling air slots and openings on generator. These openings must be kept clean and unobstructed.

**NOTE:** DO NOT use a garden hose to clean generator. Water can enter engine fuel system and cause problems. If water enters generator through cooling air slots, some water will be retained in voids and crevices of rotor and stator winding insulation. Water and dirt buildup on generator internal windings will decrease insulation resistance of windings.

### Engine Maintenance

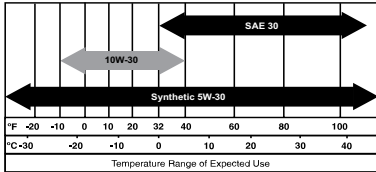
#### **WARNING**

Accidental start-up. Disconnect spark plug wires when working on unit. Failure to do so could result in death or serious injury.

(000141)

### Engine Oil Recommendations

To maintain the product warranty, the engine oil should be serviced in accordance with the recommendations of this manual. For your convenience, maintenance kits designed and intended for use on this product are available from the manufacturer that include engine oil, oil filter, air filter, spark plug(s), a shop towel and funnel. These kits can be obtained from an Independent Authorized Service Dealer (IASD).



000399

## Inspect Engine Oil Level



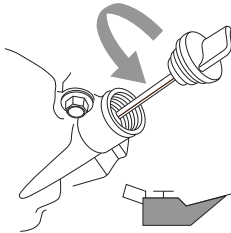
### WARNING

Risk of burns. Allow engine to cool before draining oil or coolant. Failure to do so could result in death or serious injury.

(000139)

Inspect engine oil level prior to each use, or every 8 hours of operation.

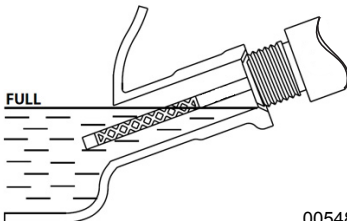
1. Place generator on a level surface.
2. Clean area around oil fill, and oil drain plug.
3. Remove oil fill cap and wipe dipstick clean. See [Figure 4-1](#).



000115

**Figure 4-1. Engine Oil Fill**

4. To check oil level, insert dipstick into oil filler neck without screwing it in. See [Figure 4-2](#).



005484

**Figure 4-2. Safe Operating Range**

5. Remove dipstick and verify oil level is within safe operating range.
6. Add recommended engine oil as necessary.

**NOTE:** Verify oil level often during filling process to ensure overfilling does not occur.

7. Replace oil fill cap and hand-tighten.

**NOTE:** Some units have more than one oil fill location. It is only necessary to use one oil fill point.

## Change Engine Oil

### WARNING

Accidental start-up. Disconnect spark plug wires when working on unit. Failure to do so could result in death or serious injury.

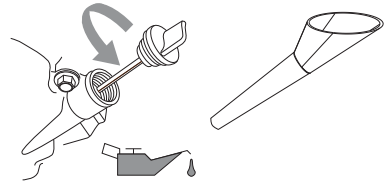
(000141)

When using generator under extreme, dirty, dusty conditions, or in extremely hot weather, change oil more frequently.

**NOTE:** Don't pollute. Conserve resources. Return used oil to collection centers.

Change oil while engine is still warm from running, as follows:

1. Place generator on a level surface.
2. Disconnect the spark plug wire from the spark plug and place the wire where it cannot contact spark plug.
3. Clean area around oil fill and oil drain plug.
4. Remove oil fill cap and wipe dipstick clean.
5. Tip unit and drain oil completely into a suitable container.
6. Once oil is sufficiently drained from unit, tip unit back to a level position.
7. Insert funnel into oil fill opening. See [Figure 4-3](#). Add recommended engine oil as necessary.



002404

**Figure 4-3. Oil Fill Opening With Funnel**

8. To check oil level, remove funnel and insert dipstick into oil filler neck without screwing it in. See [Figure 4-2](#).
9. Remove dipstick and verify oil level is within safe operating range.

**NOTE:** Verify oil level often during filling process to ensure overfilling does not occur.

10. Replace oil fill cap and hand-tighten.
11. Wipe up any spilled oil.
12. Properly dispose of oil in accordance with all applicable regulations.

## Air Filter

Engine will not run properly and may be damaged if run with a dirty air filter. Service air filter more frequently in dirty or dusty conditions. To service air filter:

1. Unscrew bolt (A) and remove air filter cover. See [Figure 4-4](#).
2. Wash filter (B) in soapy water. Squeeze dry in clean cloth (DO NOT TWIST).
3. Clean air filter cover before installation.
4. Replace side cover and screws.

**NOTE:** To order a new air filter, contact the nearest authorized service center at 1-888-436-3722.

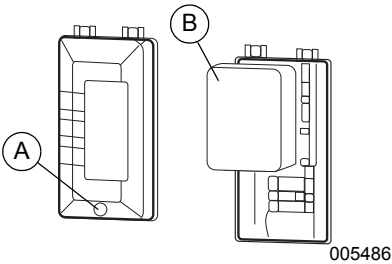


Figure 4-4. Air Filter Assembly

## Service Spark Plug

To service spark plug:

1. Remove spark plug cover. See [Figure 2-1](#).
2. Clean area around spark plug.
3. Remove and inspect spark plug.
4. Inspect electrode gap with wire feeler gauge and reset spark plug gap to 0.6 - 0.7mm (0.024 - 0.028 in). See [Figure 4-5](#).

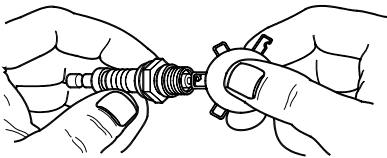


Figure 4-5. Spark Plug

**NOTE:** Replace spark plug if electrodes are pitted, burned or porcelain is cracked. Use ONLY recommended replacement plug. See [Product Specifications](#).

5. Install spark plug finger tight, and tighten an additional 3/8 to 1/2 turn using spark plug wrench.

## Inspect Muffler and Spark Arrestor

**NOTE:** It is a violation of California Public Resource Code, Section 4442, to use or operate the engine on any forest-covered, brush-covered, or grass-covered land unless the exhaust system is equipped with a spark arrestor, as defined in Section 4442, maintained in effective working order. Other states or federal jurisdictions may have similar laws.

Contact original equipment manufacturer, retailer, or dealer to obtain a spark arrestor designed for exhaust system installed on this engine.

**NOTE:** Use ONLY original equipment replacement parts.

Inspect muffler for cracks, corrosion, or other damage. Remove spark arrestor, if equipped, inspect for damage or carbon blockage. Replace parts as required.

## Inspect Spark Arrestor Screen



### WARNING

Hot Surfaces. When operating machine, do not touch hot surfaces. Keep machine away from combustibles during use. Hot surfaces could result in severe burns or fire.

(000108)

## Clean Spark Arrestor Screen

The engine exhaust muffler has a spark arrestor screen. Inspect and clean the screen every 50 hours of operation or every season, whichever comes first.

To service spark arrestor:

1. See [Figure 4-6](#). Remove the clamp to remove retainer.
2. Slide spark arrestor screens out from the muffler outlet tube.
3. Inspect screens and replace if torn, perforated or otherwise damaged. Do NOT use a defective screen. If screen is not damaged, clean with a commercial solvent.
4. Replace the screens, and retainer, and secure with clamp.

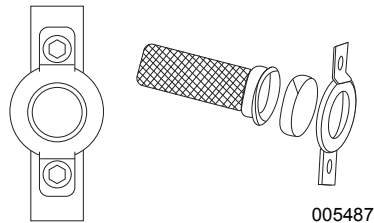


Figure 4-6. Spark Arrestor Screen



---

## Valve Clearance

**Important:** Please contact an Independent Authorized Service Dealer for service assistance. Proper valve clearance is essential for prolonging the life of the engine.

Check valve clearance after the first fifty-hours of operation. Adjust as necessary.

- Intake —  $0.10 \pm 0.02\text{mm}$  (cold),  $(0.004" \pm 0.001"$  inches)
- Exhaust —  $0.10 \pm 0.02\text{mm}$  (cold)  $(0.004" \pm 0.001"$  inches)

## Storage

### General

**▲ DANGER**

Explosion and Fire. Fuel and vapors are extremely flammable and explosive. Store fuel in a well ventilated area. Keep fire and spark away. Failure to do so will result in death or serious injury.

(000143)

**▲ WARNING**

Risk of Fire. Verify machine has properly cooled before installing cover and storing machine. Hot surfaces could result in fire.

(000109)

It is recommended to start and run the generator for 30 minutes, every 30 days. If this is not possible, refer to the following list to prepare unit for storage.

- DO NOT place a storage cover on a hot generator. Allow unit to cool to room temperature before storage.
- DO NOT store fuel from one season to another unless properly treated.
- Replace fuel container if rust is present. Rust in fuel will cause fuel system problems.
- Cover unit with a suitable protective, moisture resistant cover.
- Store unit in a clean, dry area.
- Always store generator and fuel away from heat and ignition sources.

## Prepare Fuel System/Engine for Storage

Fuel stored over 30 days can go bad and damage fuel system components. Keep fuel fresh, use fuel stabilizer.

If fuel stabilizer is added to fuel system, prepare and run engine for long term storage. Run engine for 10-15 minutes to circulate stabilizer throughout fuel system. Adequately prepared fuel can be stored up to 24 months.

**NOTE:** If fuel has not been treated with fuel stabilizer, it must be drained into an approved container. Run engine until it stops from lack of fuel. Use of fuel stabilizer in fuel storage container is recommended to keep fuel fresh.

1. Change engine oil.

2. Remove spark plug.
3. Pour tablespoon (5-10cc) of clean engine oil or spray a suitable fogging agent into cylinder.

**▲ WARNING**

Vision Loss. Eye protection is required to avoid spray from spark plug hole when cranking engine. Failure to do so could result in vision loss.

(000181)

4. Pull starter recoil several times to distribute oil in cylinder.
5. Install spark plug.
6. Pull recoil slowly until resistance is felt. This will close valves so moisture cannot enter engine cylinder. Gently release recoil.

## Change Oil

Change engine oil before storage. See, [Change Engine Oil](#).

## Troubleshooting

PROBLEM	CAUSE	CORRECTION
Engine won't start.	<ol style="list-style-type: none"> <li>1. Dial turned off.</li> <li>2. Out of fuel.</li> <li>3. Defective spark plug.</li> <li>4. Plugged fuel filter.</li> <li>5. Defective or stuck Dial assembly.</li> <li>6. Incorrect engine oil level.</li> <li>7. Defective ignition coil.</li> <li>8. Fuel cap vent OFF.</li> <li>9. Carb is flooded.</li> <li>10. Throttle plate closed.</li> </ol>	<ol style="list-style-type: none"> <li>1. Turn on Dial.</li> <li>2. Fill fuel tank.</li> <li>3. Replace spark plug.</li> <li>4. Replace fuel and fuel filter.</li> <li>5. Contact IASD.</li> <li>6. Check/fill engine oil.</li> <li>7. Contact IASD.</li> <li>8. Turn fuel cap vent ON.</li> <li>9. Drain carb.</li> <li>10. Open throttle plate (push toward back of unit).</li> </ol>
Engine starts, then shuts down.	<ol style="list-style-type: none"> <li>1. Out of fuel.</li> <li>2. Incorrect engine oil level.</li> <li>3. Contaminated fuel.</li> <li>4. Defective low oil level switch.</li> </ol>	<ol style="list-style-type: none"> <li>1. Fill fuel tank.</li> <li>2. Check engine oil level.</li> <li>3. Contact IASD.</li> <li>4. Contact IASD.</li> </ol>
Engine will not start; or starts and runs rough.*	<ol style="list-style-type: none"> <li>1. Choke is stuck or left on.</li> <li>2. Dirty or clogged air filter.</li> <li>3. Defective or dirty spark plug.</li> <li>4. Dirty fuel filter.</li> <li>5. Dirty or gummed up carburetor.</li> <li>6. Unit not warmed up.</li> <li>7. Spark arrestor clogged.</li> </ol>	<ol style="list-style-type: none"> <li>1. Turn choke off.</li> <li>2. Clean or replace air filter.</li> <li>3. Replace spark plug.</li> <li>4. Replace fuel and fuel filter.</li> <li>5. Clean carburetor.</li> <li>6. Gradually adjust Dial and reduce choke until engine runs smoothly in RUN position.</li> <li>7. Clean spark arrestor.</li> </ol>
No AC output.	<ol style="list-style-type: none"> <li>1. Generator is overloaded.</li> <li>2. Inverter module is overheated.</li> <li>3. Short circuit in electrical device.</li> <li>4. Defective inverter assembly.</li> </ol>	<ol style="list-style-type: none"> <li>1. Disconnect all loads. Shut down generator to reset module. Reduce loads, restart generator.</li> <li>2. Verify service door is ON. Let cool 15 minutes by running engine without AC output. Press and hold Reset button on control panel, restart generator.</li> <li>3. Verify condition of extension cords and items being powered. Press and hold Reset button on control panel.</li> <li>4. Contact IASD.</li> </ol>
Fuel leaks from drain hoses.	<ol style="list-style-type: none"> <li>1. Carburetor drain in bowl is not closed.</li> </ol>	<ol style="list-style-type: none"> <li>1. Turn valve clockwise to close.</li> </ol>
* Engine speed increases and decreases — This is normal as generator starts up and loads vary.		



Part No. 10000016698 Rev. B 12/15/2017

©2017 Generac Power Systems, Inc.

All rights reserved

Specifications are subject to change without notice.

No reproduction allowed in any form without prior  
written consent from Generac Power Systems, Inc.

**GENERAC**<sup>®</sup>



Generac Power Systems, Inc.

S45 W29290 Hwy. 59

Waukesha, WI 53189

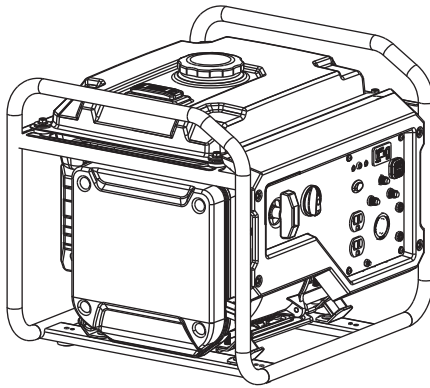
1-888-GENERAC (1-888-436-3722)

[www.generac.com](http://www.generac.com)



# Generador portátil GP3500iO

## Manual del usuario



MODELO: \_\_\_\_\_

SERIE: \_\_\_\_\_

FECHA DE LA COMPRA: \_\_\_\_\_



### ADVERTENCIA

Fallecimiento. Este producto no se ha diseñado para que se utilice en aplicaciones de apoyo vital crítico. En caso de hacerlo, podría provocar la muerte o lesiones graves.

(000209b)

Registre su producto Generac en:

[WWW.GENERAC.COM](http://WWW.GENERAC.COM)

1-888-GENERAC

(1-888-436-3722)

**GUARDE ESTE MANUAL PARA PODER  
CONSULTARLO EN EL FUTURO**

# Índice de contenidos

<b>Sección 1 Introducción y seguridad</b> ..... 1	<b>Sección 3 Funcionamiento</b> ..... 11
Introducción ..... 1	Preguntas sobre uso y funcionamiento ..... 11
Normas de seguridad ..... 1	Antes de arrancar el motor ..... 11
Símbolos de seguridad y significados ..... 1	Preparación del generador para su uso ..... 11
Peligros derivados de las emisiones de escape y la ubicación ..... 2	Conexión a tierra del generador cuando se utiliza ..... 11
Peligros eléctricos ..... 3	Conozca los límites del generador ..... 11
Peligros de incendio ..... 3	Transporte o inclinación de la unidad ..... 12
Índice de normas ..... 4	Arranque de motores con el tirador de arranque ..... 12
<b>Sección 2 Información general y configuración</b> ..... 6	Volver a arrancar motores calientes ..... 13
Conozca su generador ..... 7	Sistema de cierre por nivel bajo de aceite ..... 13
Emisiones ..... 7	Funcionamiento en paralelo ..... 14
Enchufes de conexión ..... 8	<b>Sección 4 Mantenimiento y solución de problemas</b> ..... 16
Interruptor de apagado/encendido/cebado ..... 8	Mantenimiento ..... 16
Salidas USB ..... 8	Programa de mantenimiento ..... 16
Interruptor de ahorro ..... 8	Mantenimiento preventivo ..... 16
Luces de estado del generador ..... 8	Mantenimiento del motor ..... 17
Protectores del circuito ..... 9	Almacenamiento ..... 19
Sacar el contenido de la caja ..... 9	Solución de problemas ..... 21
Añadir aceite de motor ..... 9	
Combustible ..... 10	

## ADVERTENCIA

El funcionamiento, reparación y mantenimiento de este equipo puede exponerlo a productos químicos entre los que se incluyen gases de escape del motor, monóxido de carbono, ftalatos y plomo, los cuales son considerados por el Estado de California como causantes de cáncer y malformaciones congénitas y otros daños reproductivos. Para minimizar los efectos de la exposición a tales sustancias, evite respirar gases de escape, no deje que el motor funcione al ralentí excepto si fuera necesario, realice las tareas de mantenimiento del equipo en un área bien ventilada y lleve guantes o lávese las manos con frecuencia cuando realice tareas de mantenimiento en el equipo. Si desea obtener más información, vaya a [www.P65Warnings.ca.gov](http://www.P65Warnings.ca.gov).

(000393)

# Sección 1 Introducción y seguridad

## Introducción

Gracias por haber adquirido un producto de Generac Power Systems Inc. Esta unidad se ha diseñado para proporcionar un funcionamiento eficiente, de alto rendimiento y con una vida útil larga si se conserva adecuadamente.



Consulte el manual. Lea y comprenda completamente el manual antes de usar el producto. No comprender completamente el manual puede provocar la muerte o lesiones graves.

(000100a)

Si no entendiera alguno de los apartados de este manual, póngase en contacto con el servicio técnico independiente autorizado más cercano, o con el servicio de atención al cliente de Generac llamando al 1-888-GENERAC (1-888-436-3722), o visitando [www.generac.com](http://www.generac.com) para plantear cualquier pregunta o duda que tenga.

El propietario es responsable del mantenimiento adecuado y del uso seguro del equipo. Antes de poner en funcionamiento, revisar o guardar el generador:

- Revise atentamente todas las advertencias que aparecen en este manual y en el producto.
- Familiarícese con este manual y con la unidad antes de utilizarla.
- Consulte la sección Montaje del manual para obtener instrucciones sobre los procedimientos de montaje final. Siga estrictamente las instrucciones.

Guardé estas instrucciones para consultarlas en el futuro. Entregue SIEMPRE este manual a cualquier persona que utilice la máquina.

La información que aparece en este manual es precisa y está basada en productos fabricados en el momento en el que se editó esta publicación. El fabricante se reserva el derecho de hacer las actualizaciones técnicas, las correcciones y las revisiones de los productos que considere necesarias sin previo aviso.

## Normas de seguridad

El fabricante no puede prever todas las posibles circunstancias que pueden suponer un peligro. Por tanto, las advertencias de este manual, y de las etiquetas y los adhesivos pegados en la unidad no incluyen todos los peligros. Si se utiliza un procedimiento, método de trabajo o técnica de funcionamiento no recomendados específicamente por el fabricante, compruebe que sean seguros para otros usuarios. También asegúrese de que el procedimiento, método de trabajo o técnica operativa utilizados no disminuyan la seguridad del generador.

En esta publicación y en las etiquetas y adhesivos pegados en el generador, los bloques PELIGRO, ADVERTENCIA, PRECAUCIÓN y NOTA se utilizan para alertar al personal sobre instrucciones especiales relacionadas con un funcionamiento que puede ser peligroso si se realiza de manera incorrecta o imprudente. Léalos atentamente y respete sus instrucciones. Sus definiciones son las siguientes:

### PELIGRO

Indica una situación peligrosa que, si no se evita, ocasionará la muerte o lesiones graves.

(000001)

### ADVERTENCIA

Indica una situación peligrosa que, si no se evita, podría ocasionar la muerte o lesiones graves.

(000002)

### PRECAUCIÓN

Indica una situación riesgosa que, si no se evita, puede producir lesiones leves o moderadas.

(000003)

**NOTA:** Las notas incluyen información adicional importante para un procedimiento y se incluyen en el texto normal de este manual.

Estas advertencias de seguridad no pueden eliminar los peligros que indican. Para evitar accidentes, es importante el sentido común y el seguimiento estricto de las instrucciones especiales cuando se realice la acción o la operación de mantenimiento.

## Símbolos de seguridad y significados

¡PELIGRO!	
Usar un generador en interiores LO PUEDE MATAR EN MINUTOS. Los gases de escape del generador contienen monóxido de carbono. Este es un veneno que no se puede ver u oler.	
 NUNCA lo use dentro de una casa o garaje, INCLUSO si la puerta y las ventanas se encuentran abiertas.	 Use únicamente en EXTERIORES, y alejado de ventanas, puertas y ventilaciones.

000657

**PELIGRO**

Asfixia. Los motores funcionando producen monóxido de carbono, un gas incoloro, inodoro, y venenoso. El monóxido de carbono, si no se evita, ocasionará la muerte o lesiones graves. (000103)

- Si empieza a sentirse enfermo, mareado o débil después de que el generador haya estado funcionando, salga **INMEDIAMENTE** para respirar aire fresco. Consulte con un médico ya que podría haberse intoxicado con monóxido de carbono.

**PELIGRO**

Asfixia. El sistema de escape debe mantenerse adecuadamente. No altere ni modifique el sistema de escape ya que podría hacer que su funcionamiento sea inseguro o que no cumpla con los códigos y/o normativas locales. En caso de hacerlo, podría provocarse la muerte o lesiones graves. (000179b)

**PELIGRO**

Electrocución. Si no se evita el contacto del agua con una fuente de alimentación, ocasionará la muerte o lesiones graves. (000104)

**PELIGRO**

Electrocución. **APAGUE** el suministro de alimentación de emergencia y de la red eléctrica antes de conectar la fuente de alimentación y las líneas de carga. En caso de no hacerlo, podría provocar la muerte o lesiones graves. (000116)

**ADVERTENCIA**

Daños a los equipos y la propiedad. No altere la construcción, instalación, o bloquee la ventilación para el generador. No hacer esto puede provocar el funcionamiento inseguro o dañar el generador. (000146)

**ADVERTENCIA**

Asfixia. En interiores, utilice siempre una alarma de monóxido de carbono alimentada por pilas e instalada de acuerdo con las instrucciones de los fabricantes. En caso de no hacerlo, podría provocarse la muerte o lesiones graves. (000178a)

**ADVERTENCIA**

Daños a los equipos y a la propiedad. No use la unidad sobre superficies desniveladas, o en zonas con exceso de humedad, suciedad, polvo, o vapores corrosivos. Hacerlo puede ocasionar la muerte, lesiones graves y daños al equipo. (000250)

**ADVERTENCIA**

Piezas en movimiento. Mantenga la ropa, cabello, y extremidades alejados de las piezas en movimiento. No hacerlo puede ocasionar la muerte o lesiones graves. (000111)

**ADVERTENCIA**

Superficies calientes. Al usar la máquina, no toque las superficies calientes. Mantenga la máquina alejada de los combustibles durante el uso. Las superficies calientes pueden ocasionar quemaduras graves o incendio. (000108)

**ADVERTENCIA**

Lesiones personales. No inserte objetos a través de las ranuras de enfriamiento de la unidad. El generador puede arrancar en cualquier momento y provocar la muerte, lesiones graves y daños en la unidad. (000142a)

**ADVERTENCIA**

Riesgo de lesión. No opere ni realice tareas de reparación en esta máquina si no está completamente alerta. La fatiga puede desvirtuar la capacidad para proporcionar servicio a este equipo y puede ocasionar la muerte o lesiones graves. (000215)

**ADVERTENCIA**

Lesiones o daños al equipo. No use el generador como un escalón. Hacerlo puede ocasionar caídas, piezas dañadas, funcionamiento inseguro del equipo, la muerte o lesiones graves. (000216)

**ADVERTENCIA**

Daños al equipo. No intente poner en marcha u operar una unidad que necesita reparación o mantenimiento programado. Hacerlo podría producir lesiones graves, la muerte o fallos o daños del equipo. (000291)

- Por razones de seguridad, se recomienda que el mantenimiento de este equipo sea efectuado por un distribuidor autorizado independiente. Revise el generador regularmente y póngase en contacto con el servicio técnico más cercano para conocer qué piezas deben repararse o sustituirse.

## Peligros derivados de las emisiones de escape y la ubicación

**PELIGRO**

Asfixia. Los motores funcionando producen monóxido de carbono, un gas incoloro, inodoro, y venenoso. El monóxido de carbono, si no se evita, ocasionará la muerte o lesiones graves. (000103)

**PELIGRO**

Asfixia. El sistema de escape debe mantenerse adecuadamente. No altere ni modifique el sistema de escape ya que podría hacer que su funcionamiento sea inseguro o que no cumpla con los códigos y/o normativas locales. En caso de hacerlo, podría provocarse la muerte o lesiones graves. (000179b)

**ADVERTENCIA**

Daños a los equipos y la propiedad. No altere la construcción, instalación, o bloquee la ventilación para el generador. No hacer esto puede provocar el funcionamiento inseguro o dañar el generador. (000146)

**ADVERTENCIA**

Asfixia. En interiores, utilice siempre una alarma de monóxido de carbono alimentada por pilas e instalada de acuerdo con las instrucciones de los fabricantes. En caso de no hacerlo, podría provocarse la muerte o lesiones graves. (000178a)



- Si empieza a sentirse enfermo, mareado o débil después de que el generador haya estado funcionando, salga INMEDIAMENTE para respirar aire fresco. Consulte con un médico ya que podría haberse intoxicado con monóxido de carbono.
- Coloque el sistema de escape del silenciador lejos de la gente y de los edificios habitados.
- La distancia de colocación mínima del generador es de cinco pies de ventanas, puertas o aperturas de paredes con la salida de gases del motor colocada en el sentido contrario a los edificios habitados y a la dirección del viento.

## Peligros eléctricos



### PELIGRO

Electrocución. El contacto con cables, terminales, y conexiones descubiertas mientras el generador está funcionando provocará la muerte o lesiones graves.

(000144)



### PELIGRO

Electrocución. Si no se evita el contacto del agua con una fuente de alimentación, ocasionará la muerte o lesiones graves.

(000104)



### PELIGRO

Electrocución. En caso de un accidente eléctrico, APAGUE de inmediato la alimentación eléctrica. Use implementos no conductores para liberar a la víctima del conductor alimentado. Aplique primeros auxilios y obtenga ayuda médica. No hacerlo ocasionará la muerte o lesiones graves.

(000145)

- El Código Eléctrico Nacional (NEC por sus siglas en inglés) exige que la estructura y los componentes conductores de electricidad del generador estén correctamente conectados a una toma de tierra aprobada. Es posible que los códigos eléctricos locales también exijan una conexión a tierra adecuada del generador. Consulte con un electricista local cuáles son los requisitos de conexión a tierra de su zona.
- Utilice un interruptor de circuito por fallo en la conexión a tierra en todas las zonas húmedas o altamente conductoras (como tarimas metálicas o estructuras de acero).
- Una vez que el generador se haya arrancado en el exterior, conecte las cargas eléctricas a los cables alargadores del interior.

## Peligros de incendio



### PELIGRO

Explosión e incendio. El combustible y los vapores son extremadamente inflamables y explosivos. Añada combustible en una zona bien ventilada. Mantenga alejados el fuego y las chispas. No hacerlo puede ocasionar la muerte o lesiones graves.

(000105)



### PELIGRO

Explosión e incendio. No sobrepase el nivel del depósito de combustible. Llene el depósito y deje sin llenar media pulgada (127 mm) de la parte superior del mismo para que quede espacio para la expansión del mismo. Si lo llena en exceso puede hacer que el combustible se derrame en el motor provocando un incendio o explosión, lo cual podría provocar la muerte o lesiones graves.

(000166b)

### ADVERTENCIA

Lesiones personales. No inserte objetos a través de las ranuras de enfriamiento de la unidad. El generador puede arrancar en cualquier momento y provocar la muerte, lesiones graves y daños en la unidad.

(000142a)



### ADVERTENCIA

Riesgo de incendio. El combustible y los vapores son extremadamente inflamables. No ponga en funcionamiento la unidad en espacios interiores. Si lo hace, puede ocasionar daños en el equipo, en la propiedad, lesiones graves o incluso la muerte.

(000281)



### ADVERTENCIA

Peligro de explosión e incendio. No fume cerca de la unidad. Mantenga alejados el fuego y las chispas. No respetar esta recomendación puede ocasionar la muerte, lesiones graves o daños a la propiedad o los equipos.

(000282)



### ADVERTENCIA

Explosión e incendio. No fume mientras reposta la unidad. Si lo hace, se pueden producir daños en el equipo, en la propiedad, lesiones graves o incluso la muerte.

(000284a)

- Limpie inmediatamente cualquier vertido de aceite o combustible. Compruebe que no queden materiales combustibles encima o cerca del generador. Mantenga la zona situada alrededor del generador limpia y sin residuos, y deje un espacio libre de 1,5 metros (5 pies) en todos los laterales para permitir una ventilación adecuada del generador.
- No utilice el generador si los dispositivos eléctricos conectados se sobrecalientan, si se pierde la potencia eléctrica, si el motor o el generador producen chispas o si se detectan llamas o humo mientras la unidad está funcionando.
- Tenga un extintor cerca del generador en todo momento.

---

## Índice de normas

1. Asociación nacional de protección contra incendios (NFPA, por sus siglas en inglés) 70: EL CÓDIGO ELÉCTRICO NACIONAL (NEC por sus siglas en inglés) disponible en [www.nfpa.org](http://www.nfpa.org)
2. Asociación nacional de protección contra incendios (NFPA, por sus siglas en inglés) 5000: CÓDIGO DE SEGURIDAD Y CONSTRUCCIÓN DE EDIFICIOS disponible en [www.nfpa.org](http://www.nfpa.org)
3. Código de Construcción Internacional disponible en [www.iccsafe.org](http://www.iccsafe.org)
4. Manual de Cableado Agrícola disponible en [www.rerc.org](http://www.rerc.org), Rural Electricity Resource Council P.O. Box 309 Wilmington, OH 45177-0309
5. ASAE EP-364.2 Instalación y mantenimiento de energía eléctrica de emergencia en granjas disponible en [www.asabe.org](http://www.asabe.org), Sociedad Americana de Ingenieros Agrícolas y Biológicos, 2950 Niles Road, St. Joseph, MI 49085
6. CSA C22.2 100-14 Motores y generadores eléctricos para su uso e instalación siguiendo las normativas del Código eléctrico canadiense.
7. ANSI/PGMA G300 Seguridad y rendimiento de generadores portátiles. Asociación de fabricantes de generadores portátiles, [www.pgmaonline.com](http://www.pgmaonline.com).

Esta lista no incluye todas las normas aplicables. Consulte con la autoridad que tenga jurisdicción (AHJ, por sus siglas en inglés) si existe cualquier código local o normativa que pueda ser de aplicación en su jurisdicción.

---

**Esta página se ha dejado en blanco  
intencionadamente.**

## Sección 2 Información general y configuración

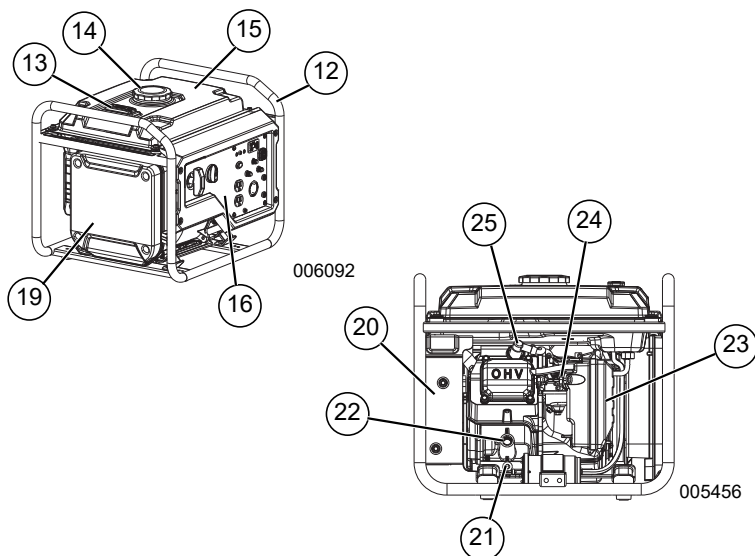


Figura 2-1. Funciones y controles

TABLA 1. Componentes del generador

1	Advertencia de nivel bajo de aceite
2	Advertencia de sobrecarga
3	Luz del indicador de alimentación de CA
4	Contador de horas
5	Salida 1A/2.1A, 5 VCC USB
6	Disyuntor de CA
7	Toma de corriente de 120V, 30A (NEMA L5-30R)
8	Ubicación de la conexión a tierra
9	Receptáculo de 120V, 20A
10	Salidas paralelas
11	Control inteligente del motor
12	Estructura
13	Medidor de combustible
14	Tapón del depósito de combustible
15	Depósito de combustible
16	Panel de control
17	Interruptor de apagado/encendido/cebado
18	Arranque manual
19	Módulo del convertidor
20	Silenciador

21	Drenaje del aceite
22	Llenado del aceite
23	Purificador de aire
24	Carburador
25	Bujía

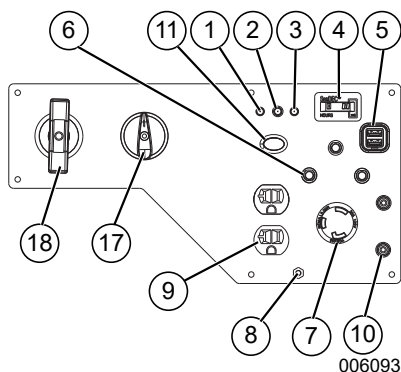


Figura 2-2. Panel de control

## Conozca su generador



### ADVERTENCIA

Consulte el manual. Lea y comprenda completamente el manual antes de usar el producto. No comprender completamente el manual puede provocar la muerte o lesiones graves.

(000100a)

En la Web de Generac ([www.generac.com](http://www.generac.com).) puede encontrar manuales del usuario de reemplazo.

## Emisiones

La Agencia de Protección Ambiental (EPA) de los EE. UU. (y la Junta de Recursos del Aire de California [CARB] para los motores/equipos certificados conforme a las normas de California) requiere(n) que este motor/equipo cumpla las normas para el escape y las emisiones que se evaporan. Ubique en el motor la etiqueta adhesiva sobre cumplimiento de las normas referidas a emisiones para determinar las normas correspondientes. Para información sobre la garantía de emisiones, consulte la garantía de emisiones que se incluye. Es importante seguir las especificaciones de mantenimiento del manual para asegurar que el motor cumpla las normas de emisiones aplicables durante la vida útil del producto.

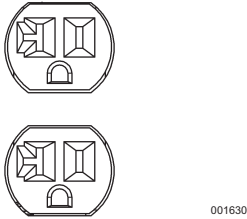
**TABLA 2. Especificaciones del producto**

Especificaciones del generador	3500iO
Potencia nominal	3000 W
Potencia de arranque	3500 W
Tensión de CA nominal	120V
Carga de CA nominal a 120V	25 Amperios**
Frecuencia nominal	60 Hz
Medidas largo x ancho x alto (mm/pulgadas)	19,2 x 16,9 x 16,4 (490 x 430 x 417)
Peso (en seco)	34 kg (75 lb)
**Intervalo de temperaturas de funcionamiento: -13 °C (8 °F) a 40 °C (104 °F). Durante el funcionamiento con temperaturas superiores a 25 °C (77 °F), es posible que la potencia disminuya.	
** La corriente y la potencia en vatios máximas están sujetas y limitadas por factores como el contenido de BTu del combustible, la temperatura ambiente, la altitud, el estado del motor, etc. La potencia máxima disminuye un 3,5 % por cada 1.000 pies (304,8 metros) sobre del nivel del mar y también disminuye un 1 % aproximadamente por cada 6° C (10° F) por encima de los 16° C (60° F) de temperatura ambiente.	
Especificaciones del motor	3500iO
Tipo de motor	Monocilíndrico, 4 ciclos de recorrido
Cilindrada	212 cc
Número de pieza de la bujía	0J00620106
Tipo de electrodos de la bujía	F7TC / F7RTC / BPR6ES o equivalente
Separación de los electrodos de la bujía (mm/pulg)	0,024-0,028 (0,6-0,7)
Capacidad de combustible / Tipo	9 L (2,37 galones) / Sin plomo
Tipo de aceite	Consulte <b>Añadir aceite de motor</b>
Capacidad de aceite	0,6 L (0,6 qt.)
Tiempo de funcionamiento a 50 % de carga	8,0 horas
* Vaya a <a href="http://www.generac.com">www.generac.com</a> o póngase en contacto con un servicio técnico autorizado independiente para solicitar piezas de repuesto.	

## Enchufes de conexión

### Toma de corriente doble ICFT de 120 VCA

La toma de 120 voltios está protegida contra sobrecarga con un protector de circuito de 20 amperios que se pulsa mediante un botón. Consulte la [Figura 2-3](#).

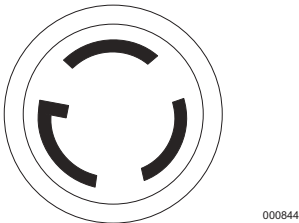


**Figura 2-3. Toma de corriente doble ICFT de 120 VCA**

### Toma de corriente de 120 VCA, 30 Amp

Use un enchufe NEMA L5-30R con esta toma de corriente. Conecte un cable de 3 conductores adecuado al enchufe y a la carga deseada. La capacidad nominal del cable debería ser de 125 VCA con 30 A (o superior). Consulte la [Figura 2-4](#).

Utilice esta toma de corriente para cargas monofásicas de 120 VCA, 60 Hz, que requieran un máximo de 3.500 vatios de potencia con 30 amperios y 3000 vatios de potencia continua a 25 amperios. La toma está protegida con un disyuntor de 30 Amp con botón de reinicio.



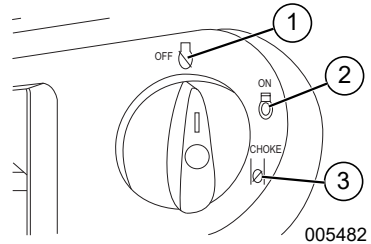
**Figura 2-4. Toma de corriente de 120 VCA, 30 Amp NEMA L5-30R**

### Interruptor de apagado/encendido/cebado

Controla las funciones de encendido/apagado así como el funcionamiento del cebador y de la válvula de combustible. Consulte la [Figura 2-5](#).

- La posición OFF (1) detiene el motor y cierra el flujo de combustible.
- La posición ON (2) es para el funcionamiento normal y para reducir gradualmente el uso del cebador.
- La posición CHOKE (3) enciende la válvula de combustible para arrancar el motor.

**NOTA:** Esta posición no es necesaria para arrancar un motor caliente.



**Figura 2-5. Interruptor (ejemplo)**

## Salidas USB

La salida de USB de 5 VCC, 1/2,1 Amp permite cargar los dispositivos electrónicos compatibles.

## Interruptor de ahorro

El interruptor de ahorro tiene 2 modos de funcionamiento:

- **On (Encendido):** Es el modo más lento y el mejor para poner en marcha aparatos o equipos que son cargas resistivas (sin arranque del motor), por ejemplo: TV, videoconsolas, luz, radio.
- **Off (Apagado):** Este modo se utiliza cuando se trata de cargas inductivas (cargas con arranque de motor) y resistivas (cargas sin arranque de motor), especialmente cuando estas cargas se encienden y apagan (por ejemplo: RV, aire acondicionado, secador).

## Luces de estado del generador

Consulte la [Figura 2-6](#).

- **LED indicador de sobrecarga (rojo):** Indica sobrecarga del sistema (2). Durante el arranque del motor, es normal que el LED de sobrecarga se ilumine durante unos segundos. Si el LED permanece iluminado y el LED Listo se enciende, el motor continuará en marcha sin potencia. Quite todas las cargas aplicadas y determine si los dispositivos conectados superan la potencia recomendada. Compruebe si las conexiones están defectuosas o existen cortocircuitos. Para restaurar la potencia eléctrica, gire el dial a la posición OFF para restablecer la alimentación. Encienda el motor. Si el problema se ha corregido, el LED naranja no se ilumina y la alimentación eléctrica se resta-

blecerá. Las cargas se puede conectar una vez que el LED verde se ilumina. Si el LED naranja vuelve a iluminarse, póngase en contacto con un servicio técnico autorizado independiente.

- **LED de nivel bajo de aceite (amarillo):** Se ilumina cuando el nivel de aceite está por debajo del nivel de funcionamiento seguro. El motor se apaga (1).
- **LED de encendido (verde):** Indica que el generador (3) suministra alimentación (a menos que haya un problema de nivel de aceite bajo o sobrecarga).

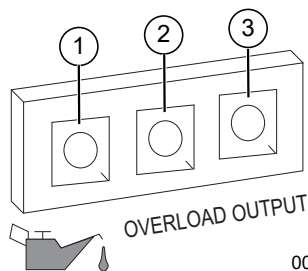


Figura 2-6. Indicadores de estado

## Protectores del circuito

Los receptáculos de CA están protegidos por un protector de circuito de CA. Si el generador está sobrecargado o se produce un cortocircuito externo, el protector del circuito se activará. Si esto ocurre, desconecte todas las cargas eléctricas para determinar la causa del problema antes de utilizar el generador de nuevo. Reduzca la carga si el protector del circuito se activa.

**NOTA:** Si el protector del circuito se activa de manera continua, es posible que se produzcan daños en el generador o en el equipo.

Pulse el botón del operador para restablecer el protector del circuito.

## Sacar el contenido de la caja

1. Abra la caja de cartón completamente cortando cada esquina de arriba a abajo.
2. Saque y compruebe el contenido de la caja antes del montaje. La caja debe contener lo siguiente:

### TABLA 3. Accesorios

Artículo	Ctd
Unidad principal	1
Manual del usuario	1
Aceite de motor	1
Embudo para el aceite	1
Kit de herramientas	1
Garantía de mantenimiento	1
Garantía de emisiones	1

3. Si faltara algún artículo de su caja, póngase en contacto con el servicio de atención al cliente de Generac llamando al 1-888-436-3722 y cuando llame tenga a mano los números de modelo y serie.
4. Escriba el número de modelo, número de serie y fecha de compra que aparecen en la portada de este manual.

## Añadir aceite de motor

### ⚠ PRECAUCIÓN

Daño al motor. Verifique el tipo y la cantidad apropiados del aceite del motor antes de poner en marcha el motor. No hacer esto puede provocar daños al motor. (000135)

**NOTA:** El generador se envía sin aceite en el motor. Añada aceite lentamente y compruebe el nivel de aceite con frecuencia durante el proceso de llenado para garantizar que el depósito no se llena en exceso.

1. Coloque el generador sobre una superficie plana.
2. Limpie el área alrededor de la zona de llenado de aceite y del tapón de drenaje de aceite.
3. Retire la tapa de llenado de aceite y limpie la varilla de medición. Consulte la [Figura 2-7](#).

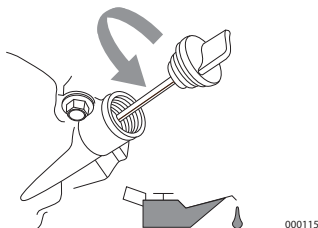
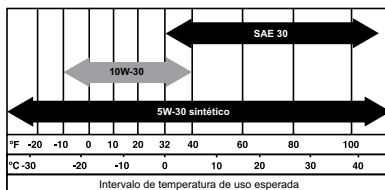


Figura 2-7. Sacar la varilla

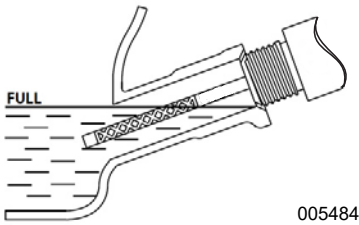
4. Coloque el embudo en la apertura de llenado de aceite. Añada el aceite de motor recomendado según sea necesario. Las temperaturas exteriores determinan la viscosidad adecuada del aceite para el motor. Use esta tabla para seleccionar la mejor viscosidad.

**NOTA:** Use aceite a base de petróleo (incluida) para facilitar el rodaje del motor antes de utilizar aceite sintético.



000399

- Para comprobar el nivel de aceite, saque el embudo e inserte la varilla en la boca de llenado de aceite. Consulte la [Figura 2-8](#).



**Figura 2-8. Rango de funcionamiento seguro**

- Retire la varilla y compruebe que el nivel de aceite se encuentra dentro del rango de funcionamiento seguro.

**NOTA:** Compruebe el nivel de aceite con frecuencia durante el proceso de llenado para garantizar que el depósito no se llena en exceso.

- Coloque la tapa de llenado del aceite/varilla de nivel y apriétela firmemente con la mano.

## Combustible



### PELIGRO

Explosión e incendio. El combustible y los vapores son extremadamente inflamables y explosivos. Añada combustible en una zona bien ventilada. Mantenga alejados el fuego y las chispas. No hacerlo puede ocasionar la muerte o lesiones graves. (000105)



### PELIGRO

Explosión e incendio. No sobrepase el nivel del depósito de combustible. Llene el depósito y deje sin llenar media pulgada (127 mm) de la parte superior del mismo para que quede espacio para la expansión del mismo. Si lo llena en exceso puede hacer que el combustible se derrame en el motor provocando un incendio o explosión, lo cual podría provocar la muerte o lesiones graves. (000166b)

El combustible debe cumplir con los siguientes requisitos:

- Gasolina limpia, en buen estado y sin plomo.
  - Un octanaje mínimo de 87/87 AKI (RON 91).
  - También se puede utilizar gasolina con un porcentaje de hasta el 10 % de etanol (gasohol).
  - NO use E85.
  - NO mezcle aceite en la gasolina.
  - NO modifique el motor para que funcione con combustibles alternativos. Establezca el combustible antes de almacenarlo.
- Verifique que la unidad está apagada y que se ha enfriado antes de repostar.
  - Coloque la unidad sobre una superficie nivelada y en un área bien ventilada.



### ADVERTENCIA

Explosión e incendio. Compruebe que la ventilación del tapón del combustible está configurada en ON para su funcionamiento y en OFF durante el transporte y almacenamiento. En caso de no estar configurada de esta manera, el rendimiento de la unidad podría resultar deficiente o podría provocar lesiones graves o la muerte. (000362)

- Limpie la zona que rodea el tapón de combustible.
- Gire el tapón con detenimiento para sacarlo.
- Añada lentamente el combustible recomendado. No llene el depósito en exceso.
- Colocación de la tapa del combustible.

**NOTA:** Si se derrama combustible, espere hasta que se evapore antes de encender el motor.

**NOTA IMPORTANTE:** Es importante evitar la formación de acumulaciones de residuos pegajosos en los componentes del sistema de combustible como el carburador, la manguera o el depósito durante el almacenamiento. Los combustibles mezclados con alcohol (gasohol, etanol o metanol) pueden atraer la humedad, lo que provoca la separación y la formación de ácidos durante el almacenamiento. El gas ácido puede dañar el sistema de combustible de un motor durante el almacenamiento. Para evitar problemas con el motor, debería vaciar el sistema de combustible antes de almacenarlo durante 30 días o más. Consulte la sección [Almacenamiento](#). Nunca utilice productos para la limpieza del motor o carburador en el depósito de combustible ya que podrían provocar daños permanentes.



## Sección 3 Funcionamiento

### Preguntas sobre uso y funcionamiento

Si tiene preguntas o dudas acerca del funcionamiento y mantenimiento del equipo, póngase en contacto con el servicio de atención al cliente de Generac llamando al 1-888-GENERAC (1-888-436-3722).

### Antes de arrancar el motor

1. Verifique que el nivel de aceite del motor sea el correcto.
2. Verifique que el nivel del combustible sea el correcto.
3. Verifique que la unidad esté segura sobre una superficie nivelada, con el espacio adecuado y en una zona bien ventilada.

### Preparación del generador para su uso



#### PELIGRO

Asfixia. Los motores funcionando producen monóxido de carbono, un gas incoloro, inodoro, y venenoso. El monóxido de carbono, si no se evita, ocasionará la muerte o lesiones graves.

(000103)



#### PELIGRO

Asfixia. El sistema de escape debe mantenerse adecuadamente. No altere ni modifique el sistema de escape ya que podría hacer que su funcionamiento sea inseguro o que no cumpla con los códigos y/o normativas locales. En caso de hacerlo, podría provocarse la muerte o lesiones graves.

(000179b)



#### ADVERTENCIA

Riesgo de incendio. No use el generador sin el supresor de chispas. No hacerlo puede ocasionar la muerte o lesiones graves.

(000118a)



#### ADVERTENCIA

Asfixia. En interiores, utilice siempre una alarma de monóxido de carbono alimentada por pilas e instalada de acuerdo con las instrucciones de los fabricantes. En caso de no hacerlo, podría provocarse la muerte o lesiones graves.

(000178a)



#### ADVERTENCIA

Riesgo de incendio. Las superficies calientes pueden encender combustibles, produciendo un incendio. El incendio puede ocasionar la muerte o lesiones graves.

(000110)



#### ADVERTENCIA

Superficies calientes. Al usar la máquina, no toque las superficies calientes. Mantenga la máquina alejada de los combustibles durante el uso. Las superficies calientes pueden ocasionar quemaduras graves o incendio.

(000108)

#### PRECAUCIÓN

Daños a los equipos y la propiedad. Desconecte las cargas eléctricas antes de poner en marcha o parar la unidad. No hacer esto puede provocar daños al equipo y la propiedad.

(000136)

### Conexión a tierra del generador cuando se utiliza

El generador está equipado con una conexión a tierra que conecta la estructura del generador y los terminales de tierra en las tomas de corriente de CA (consulte NEC 250.34 (A)). Esto permite que el generador se utilice como generador portátil sin conectar a tierra la estructura del generador como se especifica en el artículo 250.34 del NEC. Consulte la **Figura 3-1**.

- Neutral variable

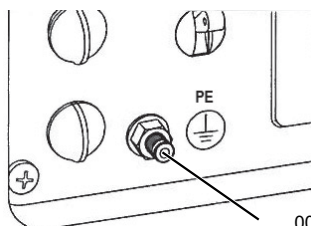


Figura 3-1. Conexión a tierra del generador

El generador (bobinado del estator) está aislado de la estructura y de la clavija de tierra del receptáculo de CA. Los dispositivos eléctricos que requieren una conexión de clavija del receptáculo de conexión a tierra no funcionarán si la clavija de conexión a tierra del receptáculo no funciona.

### Conozca los límites del generador

Sobrecargar un generador en exceso puede provocar daños en el generador y en los dispositivos eléctricos conectados. Tenga en cuenta lo siguiente para evitar sobrecargas:

- Sume la potencia total de todos los dispositivos eléctricos que se conectarán a la vez. Este total NO debería superar la potencia del generador.
- La potencia nominal de las luces se puede obtener de las bombillas. La potencia nominal de las herramientas, electrodomésticos y motores se encuentra en la etiqueta o adhesivo de datos pegados en el dispositivo.
- Si los electrodomésticos, herramientas o motores no indican la potencia, multiplique los voltios por la capacidad nominal en amperios para determinar los vatios (voltios x amperios = vatios).
- Algunos motores eléctricos, como los de inducción, requieren tres veces más vatios de potencia para el arranque que para el funcionamiento. Esta sobrecarga sólo dura unos pocos segundos al arrancar este tipo de motores. Asegúrese de disponer de una potencia de arranque elevada cuando seleccione los dispositivos eléctricos que se conectarán al generador.

1. Calcule los vatios necesarios para arrancar el motor más grande.
2. Suma a esa cifra los vatios de funcionamiento del resto de cargas conectadas.

Hemos incluido la **Guía de referencia de la potencia** para ayudarle a determinar el número de dispositivos que el generador puede hacer funcionar a la vez.

**NOTA:** Todas las cifras son aproximadas. Consulte la etiqueta de datos del electrodoméstico para obtener los requisitos de potencia.

### Guía de referencia de la potencia

Dispositivo	Vatios de funcionamiento
*Aire acondicionado (12.000 Btu)	1700
*Aire acondicionado (24.000 Btu)	3800
*Aire acondicionado (40.000 Btu)	6000
Cargador de batería (20 amperios)	500
Lijadora de correa (3")	1000
Motosierra	1200
Sierra circular (6-1/2")	de 800 a 1000
*Secadora (eléctrica)	5750
*Secadora (gas)	700
*Lavadora	1150
Cafetera	1750
*Compresor (1 HP)	2000
*Compresor (3/4 HP)	1800
*Compresor (1/2 HP)	1400
Plancha para el pelo	700
Deshumificador	650
Lijadora de disco (9")	1200
Cortabordes	500
Manta eléctrica	400
Pistola eléctrica para clavos	1200
Cocina eléctrica (por elemento)	1500
Sartén eléctrica	1250
*Congelador	700
*Extractor de humos (3/5 HP)	875
Sistema de apertura del garaje	de 500 a 750
Secador de pelo	1200
Taladro de mano	de 250 a 1100
Cortasetos	450
Llave de impacto	500
Plancha	1200
*Bomba de chorro	800
Cortacésped	1200
Bombilla	100

Horno microondas	de 700 a 1000
*Enfriador de leche	1100
Quemador de petróleo en el horno	300
Estufa de petróleo (140.000 Btu)	400
Estufa de petróleo (85.000 Btu)	225
Estufa de petróleo (30.000 Btu)	150
*Pistola de pintar, sin aire (1/3 HP)	600
Pistola de pintar, sin aire (de mano)	150
Radio	de 50 a 200
*Refrigerador	700
Olla de cocción lenta	200
*Bomba sumergible (1-1/2 HP)	2800
*Bomba sumergible (1 HP)	2000
*Bomba sumergible (1/2 HP)	1500
*Bomba de sumidero	de 800 a 1050
*Sierra de mesa (10")	de 1750 a 2000
Televisión	de 200 a 500
Tostadora	de 1000 a 1650
Cortacésped de hilo	500
* Multiplique por 3 los vatios de la lista para calcular los vatios necesarios para arrancar estos dispositivos.	

### Transporte o inclinación de la unidad

No almacene ni transporte la unidad con un ángulo superior a 15 grados.

### Arranque de motores con el tirador de arranque



#### ADVERTENCIA

Riesgo del arranque con cuerda. El arranque con cuerda puede reaccionar inesperadamente. El contragolpe puede ocasionar la muerte o lesiones graves.

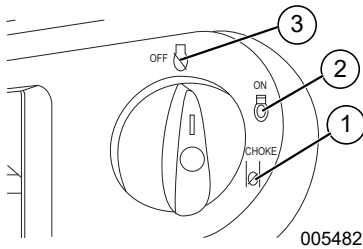
(000183)

#### PRECAUCIÓN

Daños a los equipos y la propiedad. Desconecte las cargas eléctricas antes de poner en marcha o parar la unidad. No hacer esto puede provocar daños al equipo y la propiedad.

(000136)

1. Consulte la **Figura 3-2**. Gire el interruptor de apagado/encendido/cebado a la posición CHOKE (Cebado) (1).
2. Mueva el interruptor de ahorro a la posición OFF (Apagado).
3. Sujete la cuerda de arranque y tire de ella ligeramente hasta que note que la resistencia aumenta. Tire rápidamente hacia arriba y hacia afuera.

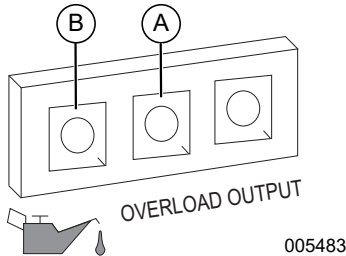


**Figura 3-2. Posiciones de apagado/encendido/cebado**

4. Consulte la [Figura 3-2](#). Cuando el motor arranque, gire el interruptor de apagado/encendido/cebado a la posición ON (2). El cebador reduce su funcionamiento a medida que el interruptor de apagado/encendido/cebado se gira hacia la posición ON.

**NOTA:** Si el motor arranca, pero no sigue funcionando, gire el interruptor de apagado/encendido/cebado hasta la posición OFF y repita las instrucciones de arranque.

**NOTA IMPORTANTE:** No sobrecargue el generador ni las tomas de corriente individuales del panel. Consulte la [Figura 3-3](#). Si se produce una sobrecarga, el LED de sobrecarga (A) se iluminará y la salida de CA se detendrá. Para corregir este problema, consulte [Luces de estado del generador](#). Lea la sección [Conozca los límites del generador](#) detenidamente.



**Figura 3-3. Fallo de apagado**

## Apagar el generador

### ⚠ PRECAUCIÓN

Daños a los equipos y la propiedad. Desconecte las cargas eléctricas antes de poner en marcha o parar la unidad. No hacer esto puede provocar daños al equipo y la propiedad. (000136)

1. Cierre todas las cargas y desconecte todas las cargas eléctricas de las tomas de corriente del panel del generador.
2. Deje que el motor funcione sin cargas durante varios minutos para que se establezcan las temperaturas internas del motor y del generador.
3. Consulte la [Figura 3-2](#). Gire el interruptor de apagado/encendido/cebado a la posición OFF (3).
4. Cierre el tapón de combustible.

## Volver a arrancar motores calientes

### ⚠ PRECAUCIÓN

Daños a los equipos y la propiedad. Desconecte las cargas eléctricas antes de poner en marcha o parar la unidad. No hacer esto puede provocar daños al equipo y la propiedad. (000136)

1. Consulte la [Figura 3-2](#). Gire el interruptor de apagado/encendido/cebado de la posición STOP a la posición ON. De esta manera se abrirá la válvula de combustible y el motor arrancará.
2. Sujete la cuerda de arranque y tire de ella ligeramente hasta que note que la resistencia aumenta. Tire rápidamente hacia arriba y hacia afuera.

## Sistema de cierre por nivel bajo de aceite

El motor está equipado con un sensor de nivel de aceite bajo que apaga el motor automáticamente cuando el nivel de aceite cae por debajo de un nivel especificado para evitar que el motor se dañe. Consulte la [Figura 3-3](#) (B). El motor no funcionará hasta que se añada aceite hasta el nivel adecuado.

Si el motor se apaga y hay combustible suficiente, compruebe el nivel de aceite del motor.

---

## Funcionamiento en paralelo

Consulte el Manual de operador del kit de funcionamiento en paralelo o póngase en contacto con un servicio técnico autorizado independiente.

**NOTA:** Todas las conexiones con el kit paralelo deben realizarse mientras que los dos convertidores están apagados y todas las cargas están desconectadas.

1. Asegúrese de que el interruptor de ahorro de energía está en la misma posición en ambos generadores.
2. Realice las conexiones paralelas correspondientes en las salidas de cada convertidor de Generac tal y como se especifica en el manual del propietario que se incluye con el kit.

**NOTA:** No desconecte ninguna de las conexiones del kit de funcionamiento en paralelo una vez que las unidades están en funcionamiento.

3. Arranque ambas unidades siguiendo las instrucciones de inicio. Una vez que el indicador de salida se ilumina en verde, los dispositivos se pueden conectar y encender usando la potencia del kit de funcionamiento en paralelo.
4. Siga las instrucciones que se especifican en *Apagar el generador*.

**NOTA:** Utilice solamente kit de funcionamiento en paralelo aprobado por Generac.

---

**Esta página se ha dejado en blanco  
intencionadamente.**

## Sección 4 Mantenimiento y solución de problemas

### Mantenimiento

El mantenimiento regular mejorará el rendimiento y prolongará la vida útil del motor/equipo. Generac Power Systems, Inc. recomienda que todo el trabajo de mantenimiento sea efectuado por un Concesionario de servicio autorizado independiente (IASD). El mantenimiento regular, sustitución o reparación de los dispositivos y sistemas de control de emisiones puede ser efectuado por cualquier taller de reparaciones o mecánico elegido por el propietario. Sin embargo, para obtener servicio de garantía gratuito, el trabajo debe ser efectuado por un Concesionario de servicio autorizado independiente (IASD). Vea la garantía de emisiones.

**NOTA:** Si tiene preguntas acerca de cómo reemplazar algún componente, llame al 1-888-GENERAC (1-888-436-3722).

### Programa de mantenimiento

Consulte los intervalos del programa de mantenimiento, lo que ocurra primero según el uso.

**NOTA:** Las condiciones adversas requerirán un mantenimiento más frecuente.

**NOTA:** Todas las operaciones de mantenimiento y ajustes necesarios deben realizarse cada temporada, tal y como se detalla en el siguiente gráfico.

En cada uso
Comprobar el nivel de aceite del motor
Cada 100 horas o cada 6 meses
Limpieza/sustitución del filtro del aire**
Cambio de aceite ‡
Pantalla del silenciador
Limpieza/Cambiar el dispositivo antichispas
Cada 300 horas o en cada estación*
Sustituir la bujía
Limpieza del dispositivo antichispas
Sustituir el filtro del combustible +
Ajuste de la holgura de la válvula
Comprobar/Sustituir manguera del respiradero del cárter
Comprobar cabezal del cilindro +
Comprobar conexiones/dispositivos de sujeción +

- ‡ Cambie el aceite después del primer mes o tras 20 horas de funcionamiento.
- + Debe ser realizado por un servicio técnico autorizado independiente.
- \* Cambie el aceite cada mes cuando el generador funcione con cargas pesadas o altas temperaturas.
- \*\* Limpiar el generador con más frecuencia en condiciones de funcionamiento con suciedad o polvo. Sustituya las piezas del filtro de aire si no se pueden limpiar correctamente.
- \*\*\* Comprobar la holgura de la válvula y ajustarla si fuera necesario después de las 50 primeras horas de funcionamiento y, después, cada 300 horas.

### Mantenimiento preventivo

La suciedad o los residuos pueden hacer que el equipo no funcione de manera correcta y provocar daños en este. Limpie el generador a diario o antes de cada uso. Mantenga la zona alrededor y detrás del silenciador sin suciedad de combustible. Revise las ranuras y aberturas del aire de enfriamiento del generador.

#### ADVERTENCIA

Lesiones personales. No inserte objetos a través de las ranuras de enfriamiento de la unidad. El generador puede arrancar en cualquier momento y provocar la muerte, lesiones graves y daños en la unidad. (000142a)

- Utilice un paño húmedo para limpiar las superficies exteriores.
- Utilice un cepillo de cerdas suaves para retirar la suciedad endurecida, el aceite, etc.
- Utilice una aspiradora para eliminar la suciedad y los residuos sueltos.
- Se puede utilizar aire a baja presión (que no supere los 25 psi) para eliminar la suciedad. Inspeccione las ranuras del aire de refrigeración y las aberturas del generador. Estas aberturas deben mantenerse limpias y sin obstrucciones.

**NOTA:** NO utilice una manguera de jardín para limpiar el generador. El agua podría entrar en el sistema del combustible del motor y causar problemas. Si el agua entrara en el generador a través de las ranuras del aire de refrigeración, parte de esta agua podría quedar retenida en huecos y hendiduras del aislante del bobinado del rotor y del estator. La acumulación de agua y suciedad en los bobinados internos podría disminuir la resistencia del aislante de estos bobinados.

## Mantenimiento del motor

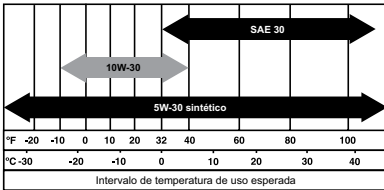
### ⚠ ADVERTENCIA

Arranque accidental. Desconecte los cables de las bujías al trabajar en la unidad. No hacerlo puede ocasionar la muerte o lesiones graves.

(000141)

## Recomendaciones sobre el aceite del motor

Para mantener la garantía del producto, el aceite de motor se debe mantener conforme a las recomendaciones de este manual. Para su comodidad, hay disponibles kits de mantenimiento para usar en este producto que incluyen aceite de motor, filtro de aceite, bujía(s), una toalla de taller y embudo. Estos kits se pueden obtener de un Concesionario de servicio autorizado independiente (IASD).



000399

## Comprobación del nivel de aceite en el motor



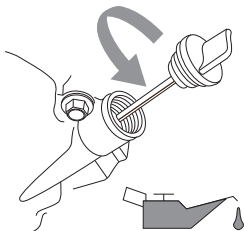
### ⚠ ADVERTENCIA

Riesgo de quemaduras. Espere a que el motor se enfríe antes de vaciar el aceite o el refrigerante. No hacerlo puede ocasionar la muerte o lesiones graves.

(000139)

El nivel de aceite se debe verificar antes de cada uso o al menos cada 8 horas de funcionamiento.

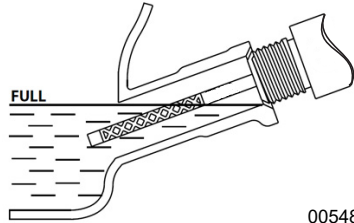
1. Coloque el generador sobre una superficie plana.
2. Limpie el área alrededor del tapón de drenaje y de la boca de llenado de aceite.
3. Retire la tapa de llenado de aceite y limpie la varilla de medición. Consulte la **Figura 4-1**.



000115

**Figura 4-1. Cómo añadir aceite al motor**

4. Para comprobar el nivel de aceite, inserte la varilla en la boca de llenado de aceite sin enroscarla. Consulte la **Figura 4-2**.



005484

**Figura 4-2. Rango de funcionamiento seguro**

5. Retire la varilla y compruebe que el nivel de aceite se encuentra dentro del rango de funcionamiento seguro.
6. Añada el aceite de motor recomendado según sea necesario.
7. Vuelva a colocar la tapa de llenado del aceite y apriétela de manera manual.

**NOTA:** Compruebe el nivel de aceite con frecuencia durante el proceso de llenado para garantizar que el depósito no se llena en exceso.

**NOTA:** Algunas unidades cuentan con más de un lugar por el que se puede añadir el aceite. En estos casos, solo se necesita utilizar un punto de llenado de aceite.

## Cambio del aceite del motor

### ⚠ ADVERTENCIA

Arranque accidental. Desconecte los cables de las bujías al trabajar en la unidad. No hacerlo puede ocasionar la muerte o lesiones graves.

(000141)

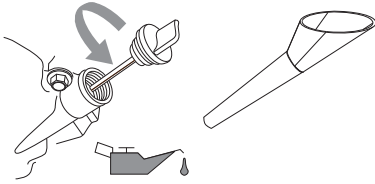
Si el generador se utiliza en lugares con mucho polvo o suciedad, o en un clima extremadamente cálido, cambie el aceite con más frecuencia.

**NOTA:** ¡No contamine! Conserve los recursos. Lleve el aceite usado a centros de recogida.

Cambie el aceite mientras el motor esté caliente tras haber funcionado. Realice los siguientes pasos:

1. Coloque el generador sobre una superficie plana.
2. Desconecte el cable de la bujía y colóquelo donde no pueda hacer contacto con la bujía.
3. Limpie el área alrededor de la zona de llenado de aceite y del tapón de drenaje de aceite.
4. Retire la tapa de llenado de aceite y limpie la varilla de medición.
5. Inclíne la unidad y drene el aceite completamente en un recipiente adecuado.
6. Una vez que el aceite se haya drenado lo suficiente, coloque la unidad de nuevo en una posición nivelada.

7. Coloque el embudo en la apertura de llenado de aceite. Consulte la **Figura 4-3**. Añada el aceite de motor recomendado según sea necesario.



002404

**Figura 4-3. Apertura de llenado de aceite con embudo**

8. Para comprobar el nivel de aceite, saque el embudo e inserte la varilla en la boca de llenado de aceite sin enroscarla. Consulte la **Figura 4-2**.
9. Retire la varilla y compruebe que el nivel de aceite se encuentra dentro del rango de funcionamiento seguro.
- NOTA:** Compruebe el nivel de aceite con frecuencia durante el proceso de llenado para garantizar que el depósito no se llena en exceso.
10. Vuelva a colocar la tapa de llenado del aceite y apriétela de manera manual.
11. Limpie el aceite que pueda haberse derramado.
12. Deshágase del aceite de acuerdo con las regulaciones locales.

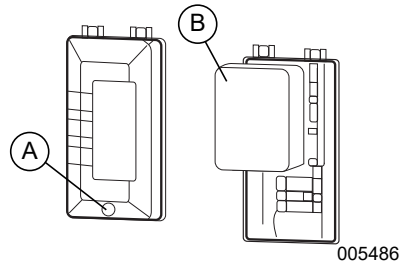
## Filtro de aire

El motor no funcionará correctamente y puede sufrir daños si se utiliza con un filtro de aire sucio. Reemplácelo o límpielo más a menudo si utiliza la unidad bajo condiciones de mucha suciedad o polvo.

Para limpiar/reemplazar el filtro de aire:

- Desenrosque el tornillo (A) y retire la cubierta del filtro de aire. Consulte la **Figura 4-4**.
- Limpie el filtro (B) con una mezcla de agua y jabón. Escúrralo y limpie hasta que quede seco (NO LO RETUERZA) con un paño limpio.
- Limpie la cubierta del filtro de aire antes de instalarla.
- Instale de nuevo la cubierta lateral y los tornillos.

**NOTA:** Para solicitar un nuevo filtro de aire, póngase en contacto con el centro de servicio autorizado más cercano llamando al 1-888-436-3722.

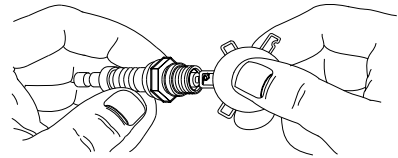


**Figura 4-4. Conjunto del filtro de aire**

## Mantenimiento de la bujía

Para realizar el mantenimiento a la bujía:

- Quite la cubierta de la bujía. Consulte la **Figura 2-1**.
- Limpie la zona que rodea la bujía.
- Retire e inspeccione la bujía.
- Compruebe la separación entre electrodos con un calibrador de alambre y configúrela con la medida recomendada de 0,6 - 0,7mm (0,024 - 0,028 pulg). Consulte la **Figura 4-5**.



000211

**Figura 4-5. Bujía**

**NOTA:** Cambie la bujía si los electrodos están carbonizados o quemados o si la porcelana está rota. Reemplace la bujía **EXCLUSIVAMENTE** con otra bujía recomendada. Consulte la sección **Especificaciones del producto**.

- Instale la bujía y apriétela manualmente y gírela 3/8 a 1/2 vuelta utilizando la llave para bujías.



## Inspección del silenciador y del dispositivo antichispas

**NOTA:** Constituye una infracción del artículo 4442 del Código de Recursos Públicos de California utilizar o hacer funcionar el motor en las proximidades de terrenos boscosos o de rastrojos o que estén cubiertos de hierba a menos que el sistema de escape esté equipado con un dispositivo antichispas, tal y como se define en la Sección 4442. Además, este motor debe mantenerse en un buen estado de funcionamiento. Otros estados o jurisdicciones federales pueden aplicar normas legales similares.

Póngase en contacto con el fabricante original del equipo, el vendedor o el distribuidor para obtener un dispositivo antichispas para el sistema de escape instalado en este motor.

**NOTA:** Use SOLAMENTE equipo o repuestos originales.

Inspeccione el silenciador por si tuviese grietas, corrosión u otros daños. Retire el dispositivo antichispas, si lo hubiese, y realice una inspección en busca de daños o bloqueo por la presencia de carbón. Reemplace las piezas si ello es necesario.

## Inspección de la pantalla del dispositivo antichispas



### ADVERTENCIA

Superficies calientes. Al usar la máquina, no toque las superficies calientes. Mantenga la máquina alejada de los combustibles durante el uso. Las superficies calientes pueden ocasionar quemaduras graves o incendio.

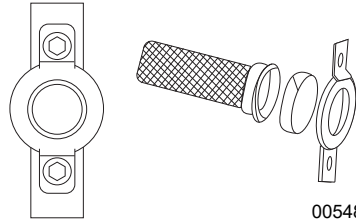
(000108)

## Limpieza de la pantalla del supresor de chispas

El silenciador del escape del motor tiene una pantalla supresora de chispas. Inspeccione y limpie la pantalla cada 50 horas de funcionamiento o cada estación, lo que ocurra primero.

Para realizar el mantenimiento del supresor de chispas:

1. Consulte la **Figura 4-6**. Retire la pinza para quitar la sujeción.
2. Saque las pantallas del supresor de chispas de la tubería de salida del silenciador.
3. Revise las pantallas y sustítuyalas si están desgastadas, perforadas o dañadas de alguna manera. NO utilice una pantalla defectuosa. Si la pantalla no está dañada, límpiela con un disolvente comercial.
4. Cambie las pantallas, la sujeción, y sujétela con una pinza.



005487

**Figura 4-6. Pantalla del supresor de chispas**

## Holgura de la válvula

**Importante:** Comuníquese con un Concesionario de servicio autorizado independiente para obtener ayuda de servicio. La luz de válvulas correcta es esencial para prolongar la vida útil del motor.

Compruebe la holgura de la válvula después de las 50 primeras horas de funcionamiento. Ajustela según sea necesario.

- Admisión —  $0,10 \pm 0,02$  mm (frío),  
( $0,004'' \pm 0,001''$  pulgadas)
- Escape —  $0,10 \pm 0,02$  mm (frío),  
( $0,004'' \pm 0,001''$  pulgadas)

## Almacenamiento

### General



### PELIGRO

Explosión e incendio. El combustible y los vapores son extremadamente inflamables y explosivos. Almacene el combustible en una zona bien ventilada. Mantenga alejados el fuego y las chispas. No hacerlo ocasionará la muerte o lesiones graves.

(000143)



### ADVERTENCIA

Riesgo de incendio. Verifique que la máquina se haya enfriado apropiadamente antes de instalar una cubierta y almacenar la máquina. Las superficies calientes pueden ocasionar un incendio.

(000109)

Se recomienda arrancar el generador una vez cada 30 días, y debería funcionar durante 30 minutos. Si no puede hacerlo, consulte la siguiente lista para preparar la unidad para su almacenamiento.

- NO coloque una cubierta de almacenamiento en un generador caliente. Espere a que el generador se enfríe completamente antes de almacenarlo.
- NO guarde combustible de una temporada a otra a menos que se trate de un modo adecuado.
- Sustituya el contenedor de combustible si está oxidado. El óxido en el combustible puede provocar problemas en el sistema de combustible.
- Cubra la unidad con una cubierta protectora adecuada, resistente a la humedad.
- Guarde la unidad en una zona limpia y seca.
- Guarde siempre el generador y el combustible lejos de fuentes de calor e ignición.

---

## Preparación del sistema de combustible/motor para su almacenamiento

El combustible puede echarse a perder y dañar los componentes del sistema de combustible si se almacena durante más de 30 días. Para mantener el combustible en buen estado, utilice un estabilizante.

Si se añade estabilizador de combustible al sistema de combustible, prepare y ponga en marcha el motor para su almacenamiento durante un largo período. Deje que el motor funcione durante 10-15 minutos para que el estabilizador circule por todo el sistema. El combustible preparado adecuadamente puede almacenarse hasta 24 meses.

**NOTA:** Si el combustible no se ha tratado con un estabilizador de combustible, debe drenarse en un contenedor aprobado para tal fin. Deje que el motor funcione hasta que se detenga por la falta de combustible. Para mantener el combustible en buen estado, se recomienda añadir estabilizante de combustible en el recipiente de almacenamiento.

1. Cambie el aceite del motor.
2. Quite la bujía.
3. Vierta una cucharada (5-10cc) de aceite de motor limpio o pulverice con un agente protector adecuado en el cilindro.



### **ADVERTENCIA**

Pérdida de la visión. Es obligatorio llevar protección ocular para evitar las salpicaduras procedentes de la cavidad de la bujía al girar el motor. De lo contrario, se puede provocar la pérdida de la visión. (000181)

4. Tire del arranque manual varias veces para distribuir el aceite en el cilindro.
5. Vuelva a instalar la bujía.
6. Tire lentamente del arranque manual hasta sentir resistencia. Esto cerrará las válvulas para que la humedad no pueda entrar en el cilindro del motor. Suelte suavemente el arranque manual.

## Cambio de aceite

Cambie el aceite del motor antes de guardarlo. Consulte [Cambio del aceite del motor](#)

## Solución de problemas

PROBLEMA	CAUSA	SOLUCIÓN
El motor no arranca.	<ol style="list-style-type: none"> <li>1. Interruptor apagado.</li> <li>2. Sin combustible.</li> <li>3. Bujía defectuosa.</li> <li>4. Filtro del combustible obstruido.</li> <li>5. Conjunto del interruptor defectuoso o atascado.</li> <li>6. Nivel de aceite del motor incorrecto.</li> <li>7. Bobina de encendido defectuosa.</li> <li>8. Ventilación del tapón del combustible OFF (Cerrada).</li> <li>9. Carburador desbordado.</li> <li>10. Placa del acelerador cerrada.</li> </ol>	<ol style="list-style-type: none"> <li>1. Encienda el botón.</li> <li>2. Llene el depósito de combustible.</li> <li>3. Sustituya la bujía.</li> <li>4. Cambie el filtro de combustible y el combustible.</li> <li>5. Póngase en contacto con el servicio técnico autorizado independiente.</li> <li>6. Compruebe/llene el aceite del motor.</li> <li>7. Póngase en contacto con el servicio técnico autorizado independiente.</li> <li>8. Gire la ventilación del tapón del combustible a la posición ON.</li> <li>9. Drene el carburador.</li> <li>10. Abra la placa del acelerador (pulse hacia la parte de atrás de la unidad).</li> </ol>
El motor se enciende y, a continuación, se apaga.	<ol style="list-style-type: none"> <li>1. Sin combustible.</li> <li>2. Nivel de aceite del motor incorrecto.</li> <li>3. Combustible contaminado.</li> <li>4. Interruptor de nivel de aceite bajo defectuoso.</li> </ol>	<ol style="list-style-type: none"> <li>1. Llene el depósito de combustible.</li> <li>2. Compruebe el nivel de aceite del motor.</li> <li>3. Póngase en contacto con el servicio técnico autorizado independiente.</li> <li>4. Póngase en contacto con el servicio técnico autorizado independiente.</li> </ol>
El motor no arranca o arranca y funciona con dificultad.*	<ol style="list-style-type: none"> <li>1. El cebador está obstruido o se ha dejado encendido.</li> <li>2. Filtro de aire sucio o taponado.</li> <li>3. Bujía sucia o defectuosa.</li> <li>4. Filtro del combustible sucio.</li> <li>5. Carburador sucio o pegajoso.</li> <li>6. La unidad no se ha calentado.</li> <li>7. Dispositivo antichispas obstruido.</li> </ol>	<ol style="list-style-type: none"> <li>1. Apague el cebador.</li> <li>2. Limpie o sustituya el filtro de aire.</li> <li>3. Sustituya la bujía.</li> <li>4. Cambie el filtro de combustible y el combustible.</li> <li>5. Limpie el carburador.</li> <li>6. Ajuste de manera gradual el interruptor y reduzca el cebador hasta que el motor se ponga en marcha suavemente en la posición RUN.</li> <li>7. Limpie el dispositivo antichispas.</li> </ol>

PROBLEMA	CAUSA	SOLUCIÓN
No hay salida de CA.	<ol style="list-style-type: none"> <li>1. El generador está sobrecargado.</li> <li>2. El módulo del convertidor está sobrecalentado.</li> <li>3. Cortocircuito en el dispositivo eléctrico.</li> <li>4. Conjunto del convertidor defectuoso.</li> </ol>	<ol style="list-style-type: none"> <li>1. Desconecte todas las cargas. Apague el generador para restablecer el módulo. Reduzca las cargas y reinicie el generador.</li> <li>2. Compruebe que la apertura de servicio está ON. Deje que se enfríe 15 minutos dejando el motor en marcha sin salida de CA. Mantenga pulsado el botón Restablecer en el panel del control y reinicie el generador.</li> <li>3. Compruebe la condición de los cables de prolongación y los elementos a los que se les suministra alimentación. Mantenga pulsado el botón Restablecer en el panel del control.</li> <li>4. Póngase en contacto con el servicio técnico autorizado independiente.</li> </ol>
Hay fugas de combustible en las mangueras de drenaje.	<ol style="list-style-type: none"> <li>1. El drenaje del carburador en el recipiente no está cerrado.</li> </ol>	<ol style="list-style-type: none"> <li>1. Gire la válvula en el sentido de las agujas del reloj para cerrarla.</li> </ol>
<p>* La velocidad del motor aumenta y disminuye; esto es normal cuando el generador arranca y las cargas varían.</p>		

---

**Esta página se ha dejado en blanco  
intencionadamente.**

---

**Esta página se ha dejado en blanco  
intencionadamente.**



Pieza N° 10000016698 Rev. B 12/15/2017

©2017 Generac Power Systems, Inc.

Reservados todos los derechos.

Las especificaciones están sujetas a cambios sin previo aviso.

No se permite la reproducción en ningún formato sin el consentimiento previo por escrito de Generac Power System, Inc.

**GENERAC**<sup>®</sup>

Generac Power Systems, Inc.

S45 W29290 Hwy. 59

Waukesha, WI 53189

1-888-GENERAC (1-888-436-3722)

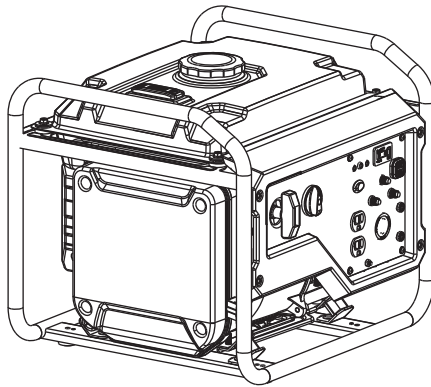
[www.generac.com](http://www.generac.com)





# Générateur portatif GP3500iO

## Manuel du propriétaire



MODÈLE : \_\_\_\_\_

N° DE SÉRIE : \_\_\_\_\_

DATE D'ACHAT : \_\_\_\_\_



**AVERTISSEMENT**

Danger de mort. Ce produit doit être utilisé dans une application critique de support de vie. Le non-respect de cet avertissement peut entraîner la mort ou des blessures graves.

(000209b)

Enregistrez votre produit Generac sur le site Internet :

[WWW.GENERAC.COM](http://WWW.GENERAC.COM)

1-888-GENERAC (depuis les États-Unis)

(1-888-436-3722)

**CONSERVEZ CE MANUEL  
POUR RÉFÉRENCE ULTÉRIEURE**

# Table des matières

## Section 1 Introduction

<b>et règles de sécurité</b> .....	1
Introduction .....	1
Consignes de sécurité .....	1
Signification des symboles de sécurité .....	1
Risques associés à l'échappement et à l'emplacement .....	2
Risques électriques .....	3
Risques d'incendie .....	3
Index des normes .....	4

## Section 2 Informations

<b>générales et mise en place</b> .....	6
Connaître son générateur .....	7
Émissions .....	7
Fiches de raccordement .....	8
Commutateur de mise à l'arrêt/mise en marche/commande d'étrangleur .....	8
Ports USB .....	8
Commutateur de fonctionnement au ralenti .....	8
Témoins d'état du générateur .....	8
Dispositifs de protection de circuits .	9
Retrait des pièces du colis .....	9
Ajout d'huile moteur .....	9
Carburant .....	10

## Section 3 Fonctionnement ..... 11

Questions relatives au fonctionnement .....	11
Avant de démarrer le moteur .....	11
Préparation du générateur à l'utilisation .....	11
Mise à la terre du générateur une fois en fonctionnement .....	11
Connaître les limites de son générateur .....	11
Transport/Inclinaison de l'appareil	12
Démarrage des moteurs à démarrage manuel .....	12
Démarrage des moteurs à chaud .	13
Système d'arrêt en cas de faible niveau d'huile .....	13
Fonctionnement en parallèle .....	13

## Section 4 Maintenance et

<b>dépannage</b> .....	14
Entretien .....	14
Calendrier de maintenance .....	14
Maintenance préventive .....	14
Maintenance du moteur .....	15
Entreposage .....	17
Dépannage .....	19

### **AVERTISSEMENT**

L'utilisation, l'entretien et la maintenance de cet appareil comportent des risques d'exposition à des substances chimiques dangereuses, notamment les gaz d'échappement de moteur, le monoxyde de carbone, les phtalates et le plomb, considérés par l'État de Californie comme vecteurs de cancers, d'anomalies congénitales ou de troubles de la reproduction. Pour réduire les risques d'exposition, évitez de respirer les gaz d'échappement, ne faites tourner le moteur au ralenti que si strictement nécessaire, procédez aux interventions de maintenance dans une zone bien ventilée, portez des gants de protection et lavez-vous régulièrement les mains au moment d'intervenir sur l'appareil. Pour plus d'informations, consultez le site Internet [www.P65Warnings.ca.gov](http://www.P65Warnings.ca.gov).

(000393)

# Section 1 Introduction et règles de sécurité

## Introduction

Merci d'avoir acheté ce produit Generac Power Systems, Inc. Cet appareil a été conçu pour offrir un fonctionnement optimal avec des performances élevées pendant de nombreuses années, sous réserve du respect des procédures de maintenance.



### ⚠ AVERTISSEMENT

Consultez le manuel. Lisez complètement le manuel et assurez-vous d'en comprendre le contenu avant d'utiliser l'appareil. Une mauvaise compréhension du manuel ou de l'appareil consigne pourrait entraîner la mort ou des blessures graves. (000100a)

Si vous n'avez pas la certitude d'avoir bien compris une quelconque partie de ce manuel, communiquez avec le concessionnaire réparateur indépendant agréé (CRIA) le plus proche, ou bien le Service client de Generac au 1-888-GENERAC (1-888-436-3722) ou sur [www.generac.com](http://www.generac.com), qui seront ravis de vous aider. Il relève de la responsabilité du propriétaire d'utiliser et d'entretenir cet équipement de façon sécurisée et adéquate. Avant d'utiliser, de réparer ou d'entreposer ce générateur :

- Étudiez avec attention toutes les mises en garde fournies dans ce manuel et sur les étiquettes apposées sur l'appareil.
- Familiarisez-vous avec l'appareil et avec ce manuel.
- Consultez les instructions relatives aux procédures d'assemblage dans la section Assemblage. Respectez strictement les instructions.

Conservez ces instructions pour référence ultérieure. Fournissez SYSTÉMATIQUEMENT ce manuel à toute personne qui sera amenée à utiliser l'appareil.

Les informations contenues dans ce manuel décrivent avec exactitude les produits fabriqués au moment de la publication du manuel. Le fabricant se réserve le droit de procéder à des mises à jour techniques, à des corrections et à des révisions des produits à tout moment et sans préavis.

## Consignes de sécurité

Il est impossible pour le fabricant d'anticiper toutes les circonstances susceptibles d'impliquer un danger. Les avertissements figurant dans ce manuel, ainsi que sur les étiquettes et les autocollants apposés sur l'appareil, ne sont pas exhaustifs. Si vous employez une procédure, une méthode de travail ou une technique d'utilisation non recommandée par le fabricant, assurez-vous qu'elle soit sans danger pour le personnel. Assurez-vous également que la procédure, la méthode de travail ou la technique d'utilisation employée n'entraîne aucun danger potentiellement causé par l'équipement.

Tout au long de ce manuel, ainsi que sur les étiquettes et autocollants apposés sur le générateur, des encadrés DANGER, AVERTISSEMENT, ATTENTION et REMARQUE sont utilisés pour attirer l'attention du personnel sur des instructions concernant certaines opérations pouvant s'avérer dangereuses si réalisées de manière incorrecte ou inattentive. Respectez scrupuleusement ces instructions. Les différentes mentions d'alerte sont ainsi définies :

### ⚠ DANGER

Indique une situation dangereuse qui, si elle n'est pas évitée, entraînera la mort ou des blessures graves.

(000001)

### ⚠ AVERTISSEMENT

Indique une situation dangereuse qui, si elle n'est pas évitée, pourrait entraîner la mort ou des blessures graves.

(000002)

### ⚠ MISE EN GARDE

Indique une situation dangereuse qui, si elle n'est pas évitée, pourrait entraîner des blessures légères ou moyennement graves.

(000003)

**REMARQUE** : Les remarques fournissent des informations complémentaires importantes sur une opération ou une procédure. Elles sont intégrées au texte ordinaire du manuel.

Ces alertes de sécurité ne sauraient à elles seules éliminer les dangers qu'elles signalent. Pour éviter les accidents, il est impératif de faire preuve de bon sens et d'appliquer à la lettre les instructions spéciales concernant une action ou une opération donnée.

## Signification des symboles de sécurité

⚠ DANGER	
L'utilisation d'une génératrice à l'intérieur PEUT CAUSER LA MORT EN QUELQUES MINUTES.	
L'échappement de la génératrice contient du monoxyde de carbone. C'est un poison qui est invisible et inodore.	
 NE JAMAIS utiliser à l'intérieur d'une maison ou d'un garage. MÊME Si les portes ou les fenêtres sont ouvertes.	 Utiliser uniquement À L'EXTÉRIEUR et très loin des fenêtres, portes et évents.

000657

**▲ DANGER**

Asphyxie. Le moteur en marche produit du monoxyde de carbone, un gaz inodore, incolore et toxique. Le monoxyde de carbone, s'il n'est pas évité, entraînera la mort ou des blessures graves.

(000103)

- Si vous commencez à vous sentir mal, ou faible, ou à avoir des vertiges après avoir fait fonctionner le générateur, sortez IMMÉDIATEMENT à l'air libre. Consultez un médecin, car il se peut que vous soyez victime d'une intoxication au monoxyde de carbone.

**▲ DANGER**

Risques d'asphyxie. Le système d'échappement doit être correctement entretenu. N'apportez aucune modification au système d'échappement, au risque de le rendre dangereux ou non conforme aux codes et/ou normes applicables au niveau local. Le non-respect de cette consigne risque d'entraîner des blessures graves, voire mortelles.

(000179b)

**▲ DANGER**

Décharge électrique. Le contact de l'eau avec une source d'alimentation, s'il n'est pas évité, entraînera la mort ou des blessures graves.

(000104)

**▲ DANGER**

Décharge électrique. Coupez l'alimentation du réseau public et du générateur avant de connecter les câbles d'alimentation et les lignes de charge. Le non-respect de cette consigne entraînera la mort ou des blessures graves.

(000116)

**▲ AVERTISSEMENT**

Domages à l'équipement et aux biens. Ne modifiez pas la construction ni l'installation du générateur et ne bloquez pas la ventilation. Le non-respect de cette consigne pourrait endommager le générateur ou le rendre dangereux.

(000146)

**▲ AVERTISSEMENT**

Asphyxie. Toujours utiliser à l'intérieur une alarme à monoxyde de carbone fonctionnant sur pile, installée selon les instructions du fabricant. Sinon, cela pourrait entraîner la mort ou des blessures graves.

(000178a)

**▲ AVERTISSEMENT**

Domages à l'équipement et aux biens. Ne faites pas fonctionner l'appareil sur des surfaces inégales ou dans des zones où il serait exposé à une humidité excessive, à de la poussière ou à des vapeurs corrosives. Le non-respect de cette consigne pourrait entraîner la mort ou des blessures graves, ainsi que des dommages aux biens et à l'équipement.

(000250)

**▲ AVERTISSEMENT**

Pièces mobiles. Gardez les vêtements, les cheveux et les accessoires loin des pièces mobiles. Le non-respect de cette consigne pourrait entraîner la mort ou des blessures graves.

(000111)

**▲ AVERTISSEMENT**

Surfaces chaudes. Lorsque vous utilisez l'appareil, ne touchez pas aux surfaces chaudes. Gardez l'appareil loin des matériaux combustibles lorsqu'il fonctionne. Le contact avec des surfaces chaudes pourrait entraîner des brûlures graves ou un incendie.

(000108)

**▲ AVERTISSEMENT**

Risques de blessure. Attention à ne jamais introduire d'objets via les fentes de refroidissement. Le générateur peut démarrer à tout moment, et ainsi provoquer des blessures sérieuses, voire mortelles, et endommager considérablement l'appareil.

(000142a)

**▲ AVERTISSEMENT**

Risque de blessures. Il faut être parfaitement vigilant pour utiliser cet appareil et en faire l'entretien. La fatigue peut nuire à votre capacité à entretenir cet équipement et pourrait entraîner la mort ou des blessures graves.

(000215)

**▲ AVERTISSEMENT**

Blessures et dommages à l'équipement. N'utilisez pas le générateur en guise de marchepied. Ce geste pourrait entraîner votre chute, des dommages aux pièces, une utilisation non sécuritaire de l'équipement, des blessures graves, voire la mort.

(000216)

**▲ AVERTISSEMENT**

Domage à l'appareil. Ne démarrez pas et n'utilisez pas un appareil nécessitant des réparations ou un entretien programmé. Cela risque de provoquer des blessures graves voire mortelles, ou des dommages ou des dommages aux équipements.

(000291)

- Pour des raisons de sécurité, il est recommandé de confier les opérations de maintenance de cet équipement à un CRIA. Inspectez régulièrement le générateur, et si des pièces doivent être réparées ou remplacées, communiquez avec votre CRIA le plus proche.

## Risques associés à l'échappement et à l'emplacement

**▲ DANGER**

Asphyxie. Le moteur en marche produit du monoxyde de carbone, un gaz inodore, incolore et toxique. Le monoxyde de carbone, s'il n'est pas évité, entraînera la mort ou des blessures graves.

(000103)

**▲ DANGER**

Risques d'asphyxie. Le système d'échappement doit être correctement entretenu. N'apportez aucune modification au système d'échappement, au risque de le rendre dangereux ou non conforme aux codes et/ou normes applicables au niveau local. Le non-respect de cette consigne risque d'entraîner des blessures graves, voire mortelles.

(000179b)

**▲ AVERTISSEMENT**

Domages à l'équipement et aux biens. Ne modifiez pas la construction ni l'installation du générateur et ne bloquez pas la ventilation. Le non-respect de cette consigne pourrait endommager le générateur ou le rendre dangereux.

(000146)

**▲ AVERTISSEMENT**

Asphyxie. Toujours utiliser à l'intérieur une alarme à monoxyde de carbone fonctionnant sur pile, installée selon les instructions du fabricant. Sinon, cela pourrait entraîner la mort ou des blessures graves.

(000178a)

- Si vous commencez à vous sentir mal, ou faible, ou à avoir des vertiges après avoir fait fonctionner le générateur, sortez IMMÉDIATEMENT à l'air libre. Consultez un médecin, car il se peut que vous soyez victime d'une intoxication au monoxyde de carbone.
- Orientez le silencieux d'échappement à l'écart des personnes et des bâtiments occupés.
- Le générateur doit être positionné à une distance d'au moins 5 pieds (1,5 m) depuis les portes, fenêtres et ouvertures murales, et l'échappement du moteur doit être évacué à l'écart des bâtiments occupés, de préférence dans le sens du vent.

## Risques électriques



**▲ DANGER**

Décharge électrique. Tout contact avec des fils nus, des bornes ou des branchements pendant que le générateur fonctionne causera la mort ou des blessures graves.

(000144)



**▲ DANGER**

Décharge électrique. Le contact de l'eau avec une source d'alimentation, s'il n'est pas évité, entraînera la mort ou des blessures graves.

(000104)



**▲ DANGER**

Décharge électrique. En cas d'accident électrique, COUPEZ immédiatement l'alimentation. Utilisez des outils non conducteurs pour libérer la victime du conducteur sous tension. Administrez-lui les premiers soins et allez chercher de l'aide médicale. Le non-respect de cette consigne entraînera la mort ou des blessures graves.

(000145)

- Le National Electric Code (NEC) des États-Unis exige que le châssis et toutes les pièces conductrices externes du générateur soient correctement raccordés à une prise de terre approuvée. Les codes électriques locaux peuvent également exiger une mise à la terre appropriée du générateur. Consultez un électricien local pour connaître les exigences de mise à la terre propre à votre région.
- Si l'appareil est installé dans une zone humide ou à haute conductivité (terrasse en métal ou structures en acier), installez un disjoncteur différentiel de fuite à la terre (DDFT).
- Après avoir démarré le générateur à l'extérieur du bâtiment, raccordez les charges électriques à la/aux rallonge(s) à l'intérieur du bâtiment.

## Risques d'incendie



**▲ DANGER**

Explosion et incendie. Le carburant et ses vapeurs sont extrêmement inflammables et explosifs. Ajoutez du carburant dans un endroit bien aéré. Gardez l'appareil loin du feu et des étincelles. Le non-respect de cette consigne entraînera la mort ou des blessures graves. (000105)



**▲ DANGER**

Risque d'explosion et d'incendie. Ne remplissez jamais le réservoir de carburant de façon excessive. Laissez un espace d'un demi-pouce par rapport au haut du réservoir pour assurer la bonne expansion du carburant. Tout remplissage excessif risque de provoquer des déversements de carburant, avec un risque de formation d'incendie ou d'explosion, et de blessures sérieuses, voire mortelles. (000166b)

**▲ AVERTISSEMENT**

Risques de blessure. Attention à ne jamais introduire d'objets via les fentes de refroidissement. Le générateur peut démarrer à tout moment, et ainsi provoquer des blessures sérieuses, voire mortelles, et endommager considérablement l'appareil. (000142a)



**▲ AVERTISSEMENT**

Risque d'incendie. Le carburant et les vapeurs sont extrêmement inflammables. N'utilisez pas l'appareil en intérieur. Le non-respect de cette consigne peut provoquer des blessures graves, voire mortelles, ainsi que des dégâts matériels. (000281)



**▲ AVERTISSEMENT**

Risque d'explosion et incendie. Ne fumez pas près de l'appareil. Gardez-le loin du feu et des étincelles. Le non-respect de cette consigne pourrait entraîner la mort ou des blessures graves, ainsi que des dommages aux biens et à l'équipement. (000282)



**▲ AVERTISSEMENT**

Risque d'explosion et d'incendie. NE FUMEZ PAS au moment de faire le plein de l'unité. Le non-respect de cette consigne peut provoquer des blessures graves, voire mortelles, ainsi que des dégâts matériels. (000284a)

- En cas de déversement de carburant ou d'huile, essuyez immédiatement les flaques. Veillez à ne laisser aucun matériau combustible sur/à proximité du générateur. Veillez à ce que les alentours du générateur restent propres et parfaitement exempts de débris, et respectez un dégagement de 5 pieds (1,5 m) de chaque côté du générateur afin d'assurer une bonne ventilation de ce dernier.
- N'utilisez pas le générateur si vous observez une surchauffe des appareils électriques qui y sont raccordés, une perte de la puissance électrique, l'apparition d'étincelles au niveau du moteur ou du générateur, ou encore de flammes ou de fumée lorsque l'équipement est en fonctionnement.
- Conservez en permanence un extincteur à proximité du générateur.

---

## Index des normes

1. National Fire Protection Association (NFPA) 70 : NATIONAL ELECTRIC CODE (NEC) des États-Unis, consultable sur [www.nfpa.org](http://www.nfpa.org)
2. National Fire Protection Association (NFPA) 5000 : BUILDING CONSTRUCTION AND SAFETY CODE des États-Unis, consultable sur [www.nfpa.org](http://www.nfpa.org)
3. International Building Code, consultable sur [www.iccsafe.org](http://www.iccsafe.org)
4. Agricultural Wiring Handbook, consultable sur [www.rerc.org](http://www.rerc.org), ou auprès du Rural Electricity Resource Council, P.O. Box 309 Wilmington, OH 45177-0309 (États-Unis)
5. ASAE EP-364.2, Installation and Maintenance of Farm Standby Electric Power, consultable sur [www.asabe.org](http://www.asabe.org), ou auprès de l'American Society of Agricultural & Biological Engineers, 2950 Niles Road, St. Joseph, MI 49085, États-Unis
6. CSA C22.2 100-14 - Installation et utilisation des moteurs et générateurs électriques, conformément aux dispositions du code canadien de l'électricité
7. ANSI/PGMA G300 - Safety and Performance of Portable Generators (sécurité et performances des générateurs portatifs) Portable Generator Manufacturer's Association, [www.pgmaonline.com](http://www.pgmaonline.com)

Cette liste n'est pas exhaustive. Pour connaître les codes et normes locaux applicables, renseignez-vous auprès des autorités compétentes.

---

**Cette page est intentionnellement  
laissée en blanc.**

## Section 2 Informations générales et mise en place

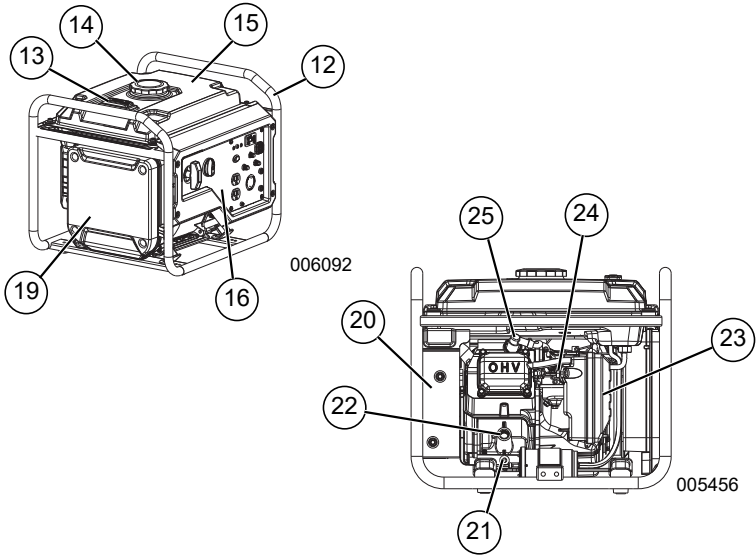


Figure 2-1. Fonctions et commandes

TABLEAU 1. Composants du générateur

1	Avertissement de niveau d'huile faible
2	Avertissement de surcharge
3	Voyant d'alimentation c.a.
4	Horomètre
5	Port USB 1A/2,1 A, 5 VCC
6	Disjoncteur CA
7	Prise 120 V, 30 A (NEMA L5-30R)
8	Emplacement de la mise à la terre
9	Prise 120 V, 20 A
10	Prises parallèles
11	Système de commande intelligent du moteur (ESC)
12	Châssis
13	Jauge de carburant
14	Bouchon du réservoir de carburant
15	Réservoir de carburant
16	Panneau de commande
17	Commutateur de mise à l'arrêt/mise en marche/commande d'étrangleur
18	Lanceur à rappel
19	Module onduleur
20	Silencieux

21	Vidange d'huile
22	Bouchon de remplissage d'huile
23	Filtre à air
24	Carburateur
25	Bougie

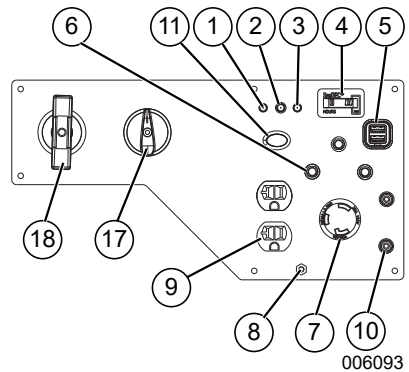


Figure 2-2. Panneau de commande



## Connaître son générateur



### ⚠ AVERTISSEMENT

Consultez le manuel. Lisez complètement le manuel et assurez-vous d'en comprendre le contenu avant d'utiliser l'appareil. Une mauvaise compréhension du manuel ou de l'appareil consigne pourrait entraîner la mort ou des blessures graves. (000100a)

Vous pouvez vous procurer des exemplaires de remplacement du manuel du propriétaire sur [www.generac.com](http://www.generac.com).

## Émissions

L'Agence américaine de protection de l'environnement (EPA) (et le Comité des ressources de l'air de la Californie (CARB) pour les moteurs/équipements certifiés selon les normes californiennes) exige que ce(t) moteur/équipement soit conforme aux normes d'émissions d'échappement et par évaporation. Localisez l'autocollant de conformité des émissions sur le moteur afin de déterminer les normes applicables. Pour obtenir des informations sur la garantie des émissions, veuillez-vous reporter à la garantie des émissions incluse. Il est important de respecter les spécifications d'entretien décrites dans le manuel afin de s'assurer que le moteur reste conforme aux normes d'émissions applicables pendant toute sa durée de vie.

**TABLEAU 2. Caractéristiques techniques du produit**

Caractéristiques techniques du générateur	3500iO
Puissance nominale	3000 W
Puissance au démarrage	3 500 W
Tension nominale CA	120V
Charge c.a. nominale à 120 V	25 A**
Fréquence nominale	60 Hz
Dimensions - longueur x largeur x hauteur (po/mm)	19,2 x 16,9 x 16,4 (490 x 430 x 417)
Poids (à sec)	75 livres (34 kg)
** Plage de températures de fonctionnement : -13 °C (8 °F) à 40 °C (104 °F). Un fonctionnement à plus de 25 °C (77 °F) risquerait de réduire la puissance.	
** Certains facteurs influent sur/limitent la puissance et l'intensité maximales : capacité en BTU du carburant, température ambiante, altitude, état du moteur, etc. La puissance du moteur diminue d'environ 3,5 % tous les 1 000 pieds (304,8 mètres) au-dessus du niveau de la mer, et diminue d'environ 1 % tous les 10 °F (6 °C) au-dessus d'une température ambiante de 60 °F (15 °C).	
Caractéristiques techniques du moteur	3500iO
Type de moteur	Moteur monocylindre à 4 temps
Cylindrée	212 cc
Réf. des bougies d'allumage	0J00620106
Type de bougies d'allumage	F7TC / F7RTC / BPR6ES ou équivalent
Écartement des bougies d'allumage (po/mm)	0,024-0,028 (0,6-0,7)
Type de carburant/contenance du réservoir de carburant	Sans plomb/9 L (2,37 c)
Type d'huile	Voir Section <i>Ajout d'huile moteur</i>
Contenance en huile	0,6 L (0,6 qt)
Durée de fonctionnement à 50 % de charge	8,0 heures
* Pour obtenir des pièces de rechange, rendez-vous sur <a href="http://www.generac.com">www.generac.com</a> ou communiquez avec un concessionnaire réparateur indépendant agréé (CRIA).	

## Fiches de raccordement

### Prise double 120 V c.a.

La prise 120 V est protégée contre les surcharges par un dispositif de protection de circuits à bouton-poussoir de 20 A. Reportez-vous à la [Figure 2-3](#).

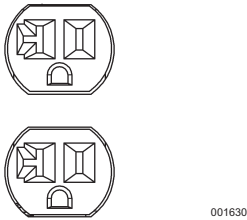


Figure 2-3. Prise double 120 V c.a.

### Prise 120 VCA, 30 A

Utilisez une fiche NEMA L5-30R avec cette prise. Raccordez un cordon à 3 fils adapté mis à la terre à la fiche et à la charge souhaitée. Le cordon doit avoir une tension nominale de 125 V c.a. à 30 A (ou plus). Reportez-vous à la [Figure 2-4](#).

Utilisez cette prise pour alimenter des charges monophasées de 120 VCA, 60 Hz nécessitant une puissance au démarrage de 3 500 W à 30 A et une puissance continue de 3 000 W à 25 A. La prise 120 V est protégée contre les surcharges par un disjoncteur à réarmement par bouton-poussoir de 30 A.

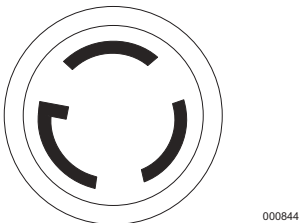


Figure 2-4. Prise 120 VCA, 30 A  
NEMA L5-30R

### Commutateur de mise à l'arrêt/ mise en marche/commande d'étranglement

Ce composant est utilisé pour la mise à l'arrêt/mise en marche de l'appareil, ainsi que l'utilisation de l'étranglement et du robinet de carburant. Reportez-vous à la [Figure 2-5](#).

- La position OFF (arrêt) (1) permet d'arrêter le moteur et de couper le débit de carburant.

- La position ON (marche) (2) permet de lancer le fonctionnement normal et de réduire progressivement l'étranglement.
- La position CHOKE (étranglement) (3) permet d'activer le robinet de carburant afin de démarrer le moteur.

**REMARQUE :** Cette fonction CHOKE (étranglement) n'est pas nécessaire pour faire démarrer le moteur si ce dernier est déjà réchauffé.

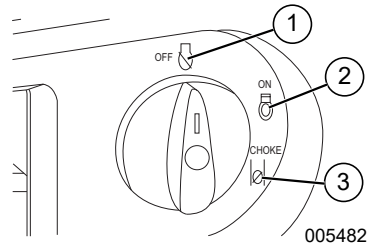


Figure 2-5. Commutateur (exemple)

### Ports USB

Le port USB 5VCC, 1/2,1 A permet de recharger tous les appareils électriques compatibles et dotés d'une connectivité USB.

### Commutateur de fonctionnement au ralenti

Le commutateur de fonctionnement au ralenti dispose de deux modes :

- **ON (marche) :** Il s'agit du mode le plus silencieux et le mieux adapté lors de l'utilisation d'appareils ou d'équipements à charges résistives (ne démarrant pas sur moteur) - Exemples : télévisions, consoles de jeux vidéo, lampes, radio, etc.
- **OFF (arrêt) :** Ce modèle est recommandé lors de l'utilisation d'appareils ou d'équipements à charges inductives (démarrant sur moteur) ou résistives (ne démarrant pas sur moteur), en particulier si ces charges sont activées/désactivées fréquemment - Exemples : véhicules de plaisance, climatiseurs, sèche-cheveux, etc.

### Témoins d'état du générateur

Reportez-vous à la [Figure 2-6](#).

- **Témoin de Surcharge (rouge) :** Indique que le système est en surcharge (2). Au moment de démarrer le moteur, le témoin DEL de surcharge s'allumera pendant quelques secondes, ce qui est tout à fait normal. Si ce témoin DEL reste allumé et que le témoin DEL vert (prêt) s'éteint, le moteur continuera à fonctionner sans générer de puissance de sortie. Retirez toutes les charges appliquées et vérifiez si les dispositifs branchés dépassent la puissance de sortie recommandée.

Vérifiez si les raccordements sont défectueux ou souffrent d'un court-circuit. Pour rétablir la puissance électrique, placez le sélecteur du cadran en position OFF afin de relancer l'appareil. Démarrez le moteur. Si le problème a été résolu, le témoin DEL orange restera éteint et la puissance électrique sera rétablie. Il sera ensuite possible d'appliquer les charges dès que le témoin DEL vert s'allume. Si le témoin DEL orange se rallume, communiquez avec un CRIA.

- **Témoin de faible niveau d'huile (jaune) :** Ce témoin s'allume si le niveau d'huile se situe en dessous du niveau de fonctionnement sûr. Le moteur s'arrête (1).
- **Témoin DEL de puissance (vert) :** Indique la production de puissance par le générateur (3) (sauf en cas de surcharge ou de niveau d'huile insuffisant).

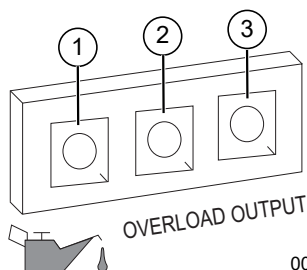


Figure 2-6. Témoins d'état

## Dispositifs de protection de circuits

Les prises c.a. sont protégées par un dispositif de protection de circuits c.a. En cas de surcharge du générateur ou de court-circuit externe, le dispositif de protection se déclenchera. Dans ce cas-là, débranchez toutes les charges électriques et n'utilisez pas le générateur avant d'avoir déterminé l'origine du problème. En cas de déclenchement du dispositif de protection de circuits, réduisez la charge.

**REMARQUE :** Si le dispositif de protection de circuits se déclenche de façon répétée, il est possible que le générateur ou l'appareil soit endommagé.

Appuyez sur le bouton du dispositif de protection afin de réinitialiser ce dernier.

## Retrait des pièces du colis

1. Ouvrez complètement le carton en découpant chaque coin de haut en bas.
2. Retirez les pièces du carton et inspectez-les avant de procéder à l'assemblage. Le colis doit contenir les pièces suivantes :

## TABLEAU 3. Accessoires

Article	Qté
Unité principale	1
Manuel du propriétaire	1
Huile de moteur	1
Entonnoir à huile	1
Trousse d'outils	1
Garantie relative à l'entretien	1
Garantie relative aux émissions	1

3. Si certaines pièces sont absentes du colis, contactez le Service client de Generac au 1-888-GENERAC (1-888-436-3722) en vous munissant du nom du modèle et du numéro de série de l'appareil.
4. Consignez le nom du modèle, le numéro de série et la date d'achat sur la page de garde de ce manuel.

## Ajout d'huile moteur

### ⚠ MISE EN GARDE

Domages au moteur. Vérifiez que le type et la quantité de l'huile à moteur sont adéquats avant de démarrer le moteur. Le non-respect de cette consigne pourrait causer des dommages au moteur. (000135)

**REMARQUE :** Le générateur est expédié sans aucune huile dans le moteur. Versez l'huile lentement et vérifiez régulièrement le niveau d'huile lors du remplissage afin d'éviter de remplir le réservoir de façon excessive.

1. Placez le générateur sur une surface à niveau.
2. Nettoyez la zone de remplissage d'huile et le bouchon de vidange d'huile.
3. Retirez le bouchon de remplissage d'huile et essuyez la jauge. Reportez-vous à la [Figure 2-7](#).

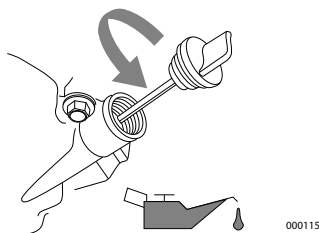
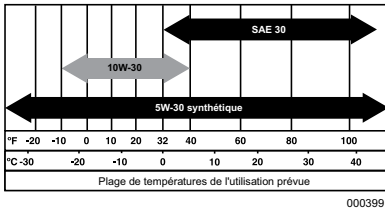


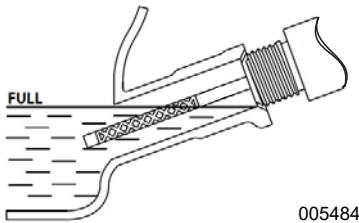
Figure 2-7. Retrait de la jauge

4. Insérez l'entonnoir dans l'orifice de remplissage d'huile. Ajoutez la quantité requise d'huile moteur recommandée. La viscosité appropriée de l'huile est déterminée en fonction du climat. Consultez le tableau pour sélectionner la bonne viscosité.

**REMARQUE :** Utilisez de l'huile à base de pétrole (fournie) pendant le rodage, puis de l'huile synthétique par la suite.



5. Pour vérifier le niveau d'huile, retirez l'entonnoir et insérez la jauge dans le goulot de remplissage d'huile. Reportez-vous à la **Figure 2-8**.



**Figure 2-8. Plage de fonctionnement sûr**

6. Retirez la jauge et vérifiez que le niveau d'huile se situe dans la plage permettant un fonctionnement sûr.

**REMARQUE :** Vérifiez régulièrement le niveau d'huile lors du remplissage afin d'éviter de remplir le réservoir de façon excessive.

7. Placez le bouchon de remplissage d'huile / la jauge et serrez manuellement.

## Carburant



### **⚠ DANGER**

Explosion et incendie. Le carburant et ses vapeurs sont extrêmement inflammables et explosifs. Ajoutez du carburant dans un endroit bien aéré. Gardez l'appareil loin du feu et des étincelles. Le non-respect de cette consigne entraînera la mort ou des blessures graves. (000105)



### **⚠ DANGER**

Risque d'explosion et d'incendie. Ne remplissez jamais le réservoir de carburant de façon excessive. Laissez un espace d'un demi-pouce par rapport au haut du réservoir pour assurer la bonne expansion du carburant. Tout remplissage excessif risque de provoquer des déversements de carburant, avec un risque de formation d'incendie ou d'explosion, et de blessures sérieuses, voire mortelles. (000166b)

Les spécifications relatives au carburant sont les suivantes :

- Essence propre sans plomb.
- Indice d'octane minimum de 87 / 87 AKI (91 RON).
- Teneur en éthanol (essence-alcool) admissible jusqu'à 10 %.
- N'UTILISEZ PAS de carburant E85.

- N'UTILISEZ PAS de mélange d'huile et d'essence.
  - NE MODIFIEZ PAS le moteur pour le faire fonctionner avec d'autres carburants. Stabilisez le niveau de carburant avant d'entreposer le générateur.
1. Avant de faire le plein de carburant, vérifiez que l'appareil est en position OFF (arrêt) et laissez-le refroidir pendant au moins deux minutes.
  2. Placez l'appareil de niveau dans une zone bien ventilée.



### **⚠ AVERTISSEMENT**

Risque d'explosion et d'incendie. Vérifiez que l'évent du bouchon du réservoir de carburant est réglé sur ON (Marche) lors du fonctionnement, et sur OFF (Arrêt) lors du transport et du stockage. Le non respect de cette consigne peut entraîner une perte de performances de l'unité, ou des blessures corporelles graves voire mortelles. (000362)

3. Nettoyez la zone entourant le bouchon du réservoir de carburant.
4. Tournez doucement le bouchon et retirez-le.
5. Ajoutez lentement le carburant recommandé. Ne remplissez pas à ras bord.
6. Remettez le bouchon du réservoir de carburant en place.

**REMARQUE :** Avant de démarrer l'appareil, attendez que le carburant déversé hors du réservoir s'évapore.

**REMARQUE IMPORTANTE :** Il est important d'empêcher la formation de dépôts de gomme dans les pièces du circuit de carburant telles que le carburateur, le tuyau de carburant et le réservoir durant l'entreposage. Les carburants à base d'alcool (appelés essence-alcool, éthanol ou méthanol) peuvent attirer l'humidité, ce qui entraîne une séparation et la formation d'acides durant l'entreposage. Les gaz acides peuvent endommager le circuit de carburant d'un moteur entreposé. Afin d'éviter tout problème de moteur, le circuit de carburant doit être vidé avant tout entreposage de plus de 30 jours. Voir la section **Entreposage**. N'utilisez jamais de produits nettoyants pour moteur ou carburateur dans le réservoir de carburant ; cela risquerait de causer des dommages permanents.

## Section 3 Fonctionnement

### Questions relatives au fonctionnement

Si vous avez des questions concernant l'utilisation et l'entretien de l'équipement, contactez le Service client de Generac au 1-888-GENERAC (1-888-436-3722).

### Avant de démarrer le moteur

1. Vérifiez que le niveau d'huile moteur est correct.
2. Vérifiez que le niveau de carburant est correct.
3. Vérifiez que l'appareil est installé à niveau dans une zone bien ventilée, et que l'accès à l'appareil est correctement dégagé.

### Préparation du générateur à l'utilisation



#### **DANGER**

Asphyxie. Le moteur en marche produit du monoxyde de carbone, un gaz inodore, incolore et toxique. Le monoxyde de carbone, s'il n'est pas évité, entraînera la mort ou des blessures graves.

(000103)



#### **DANGER**

Risques d'asphyxie. Le système d'échappement doit être correctement entretenu. N'apportez aucune modification au système d'échappement, au risque de le rendre dangereux ou non conforme aux codes et/ou normes applicables au niveau local. Le non-respect de cette consigne risque d'entraîner des blessures graves, voire mortelles.

(000179b)



#### **AVERTISSEMENT**

Risque d'incendie. N'utilisez pas le générateur sans le pare-étincelles. Le non-respect de cette consigne pourrait entraîner la mort ou des blessures graves.

(000118a)



#### **AVERTISSEMENT**

Asphyxie. Toujours utiliser à l'intérieur une alarme à monoxyde de carbone fonctionnant sur pile, installée selon les instructions du fabricant. Sinon, cela pourrait entraîner la mort ou des blessures graves.

(000178a)



#### **AVERTISSEMENT**

Risque d'incendie. Les surfaces chaudes peuvent enflammer des matériaux combustibles, ce qui pourrait causer un incendie. Un incendie pourrait entraîner la mort ou des blessures graves.

(000110)



#### **AVERTISSEMENT**

Surfaces chaudes. Lorsque vous utilisez l'appareil, ne touchez pas aux surfaces chaudes. Gardez l'appareil loin des matériaux combustibles lorsqu'il fonctionne. Le contact avec des surfaces chaudes pourrait entraîner des brûlures graves ou un incendie.

(000108)

#### **MISE EN GARDE**

Domages à l'équipement et aux biens. Débranchez les charges électriques avant de démarrer ou d'arrêter l'appareil. Le non-respect de cette consigne pourrait causer des dommages à l'équipement et aux biens.

(000136)

### Mise à la terre du générateur une fois en fonctionnement

Le générateur est équipé d'une mise à la terre pour équipements raccordant le châssis du générateur aux bornes de mise à la terre des prises c.a. (voir dispositions NEC 250.34 A). Cette méthode permet d'utiliser le générateur à la façon d'un appareil portatif sans avoir à mettre à la terre le châssis du générateur, tel que spécifié par les dispositions NEC 250.34. Reportez-vous à la [Figure 3-1](#).

- Flottant du neutre

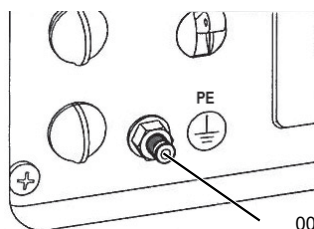


Figure 3-1. Mise à la terre du générateur

Le générateur (enroulement de stator) est isolé du châssis et de la broche de terre de la prise c.a. Les appareils électriques nécessitant un raccordement via une broche de prise de terre ne fonctionneront pas si la broche de la prise de terre est défectueuse.

### Connaître les limites de son générateur

Une surcharge peut endommager le générateur et les appareils électriques connectés à celui-ci. Pour éviter toute surcharge, respectez les consignes suivantes :

- Ajoutez les puissances respectives de tous les appareils électriques à connecter simultanément. Ce total ne doit JAMAIS être supérieur à la puissance nominale du générateur.
- La puissance nominale des ampoules est indiquée sur celles-ci. La puissance nominale des outils, appareils et moteurs est indiquée sur une étiquette ou un autocollant apposé sur ceux-ci.
- Si la puissance d'un outil, appareil ou moteur n'est pas indiquée, multipliez la tension par l'intensité pour la déterminer (tension x intensité = puissance).
- Certains moteurs électriques, notamment ceux à induction, nécessitent environ trois fois plus de puissance pour démarrer que pour tourner. Cette saute de puissance ne dure que quelques secondes au démarrage du moteur. Assurez-vous de la disponibilité d'une puissance de démarrage élevée lors de la sélection des appareils à connecter au générateur :

- Déterminez la puissance nécessaire au démarrage du plus gros moteur.
- Ajoutez à ce chiffre la puissance nécessaire au fonctionnement de toutes les autres charges connectées.

Le **Guide de référence de la puissance requise** vous aidera à déterminer le nombre d'appareils pouvant être simultanément alimentés par le générateur.

**REMARQUE :** Toutes les valeurs indiquées sont fournies à titre de référence uniquement. Pour connaître la puissance requise par un appareil, consultez l'étiquette apposée sur celui-ci.

#### Guide de référence de la puissance requise

Appareil	Puissance de fonctionnement
*Climatiseur (12 000 BTU)	1700
*Climatiseur (24 000 BTU)	3800
*Climatiseur (40 000 BTU)	6000
Chargeur de batterie (20 A)	500
Ponceuse à courroie (3")	1000
Scie à chaîne	1200
Scie circulaire (6-1/2")	800 à 1 000
*Sécheuse à linge (électrique)	5750
*Sécheuse à linge (au gaz)	700
*Laveuse à linge	1150
Cafetière	1750
*Compresseur (1 HP)	2000
*Compresseur (3/4 HP)	1800
*Compresseur (1/2 HP)	1400
Fer à friser	700
*Déshumidificateur	650
Ponceuse à disque (9")	1200
Coupe-bordures	500
Couverture chauffante	400
Cloueuse électrique	1200
Cuisinière électrique (par élément)	1500
Poêle à frire électrique	1250
*Congélateur	700
*Ventilateur de chaudière (3/5 HP)	875
Ouvre-porte de garage	500 à 750
Sèche-cheveux	1200
Perceuse à main	250 à 1100
Taille-haie	450
Clé à chocs	500
Fer à repasser	1200
*Pompe à jet	800
Tondeuse à gazon	1200
Ampoule	100
Four à micro-ondes	700 à 1 000
*Réfrigérateur	1100
Brûleur à mazout de chaudière	300
Radiateur à mazout (140 000 BTU)	400
Radiateur à mazout (85 000 BTU)	225
Radiateur à mazout (30 000 BTU)	150
*Pistolet à peinture sans air (1/3 HP)	600

Pistolet à peinture sans air (portatif)	150
Radio	50 à 200
*Réfrigérateur	700
Mijoteuse	200
*Pompe immergée (1-1/2 HP)	2800
*Pompe immergée (1 HP)	2000
*Pompe immergée (1/2 HP)	1500
*Pompe de vidange	800 à 1050
*Scie circulaire à table (10")	1750 à 2000
Téléviseur	200 à 500
Grille-pain	1000 à 1650
Coupe-herbe	500

\* Prévoyez 3 fois la puissance indiquée pour le démarrage de ces appareils.

## Transport/Inclinaison de l'appareil

N'entreposez pas et ne transportez pas l'appareil incliné à un angle de plus de 15°.

## Démarrage des moteurs à démarrage manuel



### AVERTISSEMENT

Risque lié au lanceur à rappel. Le cordon du lanceur à rappel pourrait se rétracter de façon inattendue. Un effet de rebond pourrait entraîner la mort ou des blessures graves.

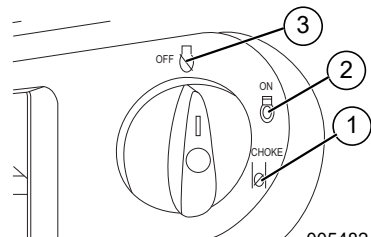
(000183)

### MISE EN GARDE

Dommmages à l'équipement et aux biens. Débranchez les charges électriques avant de démarrer ou d'arrêter l'appareil. Le non-respect de cette consigne pourrait causer des dommages à l'équipement et aux biens.

(000136)

- Reportez-vous à la **Figure 3-2**. Placez le sélecteur du cadran « OFF/ON/CHOKE » sur la position CHOKE (1).
- Placez le commutateur de fonctionnement au ralenti sur la position OFF.
- Saisissez fermement la poignée du lanceur à rappel et tirez lentement jusqu'à ressentir une résistance accrue. Tirez rapidement vers le haut et à l'écart.



005482

**Figure 3-2. Positions OFF/ON/CHOKE (Arrêt/Marche/Étranglement)**

- Reportez-vous à la **Figure 3-2**. Lorsque le moteur démarre, placez le sélecteur du cadran « OFF/ON/CHOKE » sur la position ON (2). Pour réduire le fonctionnement de l'étrangleur, faites tourner le sélecteur du cadran « OFF/ON/CHOKE » en direction de la position ON.

**REMARQUE :** Si le moteur se lance mais ne continue pas à tourner, placez le sélecteur du cadran « OFF/ON/CHOKE » sur la position ON, puis réappliquez les instructions de démarrage.

**REMARQUE IMPORTANTE :** Ne surchargez pas le générateur ou les prises individuelles du panneau. Reportez-vous à la **Figure 3-3**. En cas de surcharge, le témoin DEL de surcharge (A) s'allumera et la sortie c.a. sera coupée. Pour remédier à ce problème, voir section **Témoins d'état du générateur**. Lisez attentivement la section **Connaitre les limites de son générateur**.

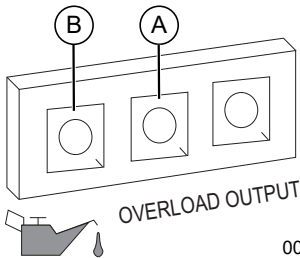


Figure 3-3. Défaillance sur arrêt

## Arrêt du générateur

### ⚠ MISE EN GARDE

Domages à l'équipement et aux biens. Débranchez les charges électriques avant de démarrer ou d'arrêter l'appareil. Le non-respect de cette consigne pourrait causer des dommages à l'équipement et aux biens.

(000136)

- Arrêtez toutes les charges et débranchez les des prises du panneau du générateur.
- Laissez le moteur tourner sans charges pendant quelques minutes pour stabiliser les températures internes du moteur et du générateur.
- Voir **Figure 3-2**. Placez le sélecteur du cadran « OFF/ON/CHOKE » sur la position ON (3).
- Placez le bouchon du réservoir de carburant sur la position OFF.

## Démarrage des moteurs à chaud

### ⚠ MISE EN GARDE

Domages à l'équipement et aux biens. Débranchez les charges électriques avant de démarrer ou d'arrêter l'appareil. Le non-respect de cette consigne pourrait causer des dommages à l'équipement et aux biens.

(000136)

- Reportez-vous à la **Figure 3-2**. Faites basculer le sélecteur du cadran « OFF/ON/CHOKE » de la position OFF à la position ON. Cette action permet d'ouvrir le robinet de carburant et d'autoriser le démarrage de l'appareil.
- Saisissez fermement la poignée du lanceur à rappel et tirez lentement jusqu'à ressentir une résistance accrue. Tirez rapidement vers le haut et à l'écart.

## Système d'arrêt en cas de faible niveau d'huile

Le moteur est équipé d'un capteur de faible niveau d'huile conçu pour couper automatiquement le moteur lorsque le niveau d'huile chute en dessous d'un niveau spécifié, et ce afin d'éviter d'endommager le moteur. Voir **Figure 3-3** (B). Tant que le réservoir d'huile ne sera pas rempli au niveau approprié, le moteur ne fonctionnera pas.

Si le moteur s'arrête alors que la quantité de carburant est suffisante, vérifiez le niveau d'huile moteur.

## Fonctionnement en parallèle

Reportez-vous au manuel d'utilisation de la trousse de connexion en parallèle, ou communiquez avec un CRIA.

**REMARQUE :** Avant de procéder aux raccordements au kit parallèle, vérifiez que les deux onduleurs sont bien désactivés et que toutes les charges sont débranchées.

- Vérifiez que le commutateur de fonctionnement au ralenti du moteur est réglé sur la même position sur les deux générateurs.
- Procédez aux raccordements en parallèle nécessaires vers les sorties des onduleurs Generac, conformément aux instructions du manuel d'utilisation du kit.

**REMARQUE :** Une fois les unités entrées en fonctionnement, ne débranchez en aucun cas les câbles du Parallel Kit.

- Démarrez les deux appareils conformément aux instructions de démarrage applicables. Une fois que le témoin de sortie vert s'allume, vous pouvez raccorder les appareils et les mettre en marche à l'aide de la sortie du Parallel Kit.
- Appliquez les instructions indiquées à la section **Arrêt du générateur**.

**REMARQUE :** Utilisez exclusivement les kits parallèles homologués Generac.

## Section 4 Maintenance et dépannage

### Entretien

Un entretien régulier permet d'améliorer les performances et de prolonger la durée de vie du moteur/de l'équipement. Generac Power Systems, Inc. préconise que tous les travaux d'entretien soient menés par un fournisseur de services d'entretien agréé. Pour l'entretien régulier, le remplacement ou la réparation des appareils et des systèmes de contrôle des émissions, le propriétaire peut faire appel à la personne ou à l'atelier de réparation de son choix. Toutefois, pour obtenir un service de garantie relatif au contrôle des émissions sans frais, cette tâche doit être confiée à un fournisseur de services d'entretien agréé. Consultez la garantie en matière d'émissions.

**REMARQUE :** Pour toute question relative au remplacement des composants, contactez le Service client de Generac au 1-888-GENERAC (1-888-436-3722).

### Calendrier de maintenance

Respectez les intervalles de maintenance, en tenant toujours compte de la première occurrence selon l'utilisation.

**REMARQUE :** Des conditions difficiles imposent des opérations de maintenance plus fréquentes.

**REMARQUE :** Les différents réglages et réparations requis doivent être effectués chaque saison comme détaillé dans le tableau suivant.

À chaque utilisation
Vérification du niveau de l'huile moteur
Toutes les 100 heures ou tous les 6 mois
Nettoyage ou remplacement du filtre à air**
Remplacement de l'huile ‡
Écran du silencieux
Nettoyage/remplacement du pare-étincelles
Toutes les 300 heures ou à chaque saison*
Remplacement de la bougie d'allumage
Nettoyage du pare-étincelles
Remplacement du filtre à carburant +
Réglage du jeu de soupapes
Vérification/remplacement du tuyau du reniflard du carter
Vérification de la culasse +
Vérification des raccords/fixation +

- ‡ Changez l'huile au bout du premier mois ou toutes les 20 heures de fonctionnement.
- + Opération à confier à un CRIA.
- \*Changez l'huile chaque mois en cas de fonctionnement à charge élevée ou en présence de températures élevées.
- \*\*Nettoyez le filtre à air plus souvent en cas d'environnement sale ou poussiéreux. Si les pièces du filtre à air ne peuvent pas être nettoyées correctement, remplacez-les.
- \*\*\*Contrôlez le jeu de soupapes et ajustez-le si nécessaire après les 50 premières heures de fonctionnement, puis toutes les 300 heures par la suite.

### Maintenance préventive

Des saletés ou des débris peuvent provoquer des dysfonctionnements et endommager l'équipement. Nettoyez le générateur quotidiennement ou avant chaque utilisation. Maintenez la zone environnant le silencieux libre de tout débris combustible. Inspectez toutes les fentes de refroidissement du générateur.

#### AVERTISSEMENT

Risques de blessure. Attention à ne jamais introduire d'objets via les fentes de refroidissement. Le générateur peut démarrer à tout moment, et ainsi provoquer des blessures sérieuses, voire mortelles, et endommager considérablement l'appareil.

(000142a)

- Nettoyez les surfaces externes à l'aide d'un chiffon humide.
- Éliminez la crasse, les résidus d'huile, etc., à l'aide d'une brosse douce.
- Éliminez les saletés et les débris à l'aide d'un aspirateur.
- Vous pouvez utiliser de l'air à basse pression (25 psi max.) pour souffler les saletés. Inspectez toutes les fentes de refroidissement du générateur. Ces fentes doivent rester propres et dégagées.

**REMARQUE :** N'utilisez JAMAIS un boyau d'arrosage pour nettoyer le générateur. De l'eau risquerait de pénétrer dans le circuit de carburant du moteur, provoquant ainsi des dysfonctionnements. En cas de pénétration d'eau dans le générateur par les fentes de refroidissement, une partie de cette eau se loge dans les creux et crevasses du rotor ainsi que dans l'isolation des enroulements du stator. L'accumulation d'eau et de saletés au niveau des enroulements internes du générateur peut réduire la résistance d'isolement des enroulements.



## Maintenance du moteur

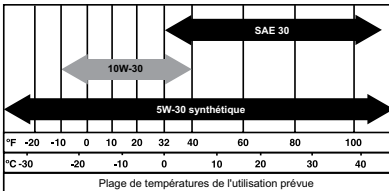
### ⚠ AVERTISSEMENT

Démarrage accidentel. Débranchez les câbles de bougie lorsque vous travaillez sur l'appareil. Le non-respect de cette consigne pourrait entraîner la mort ou des blessures graves.

(000141)

## Recommandations relatives à l'huile moteur

Afin que la garantie du produit reste en vigueur, l'entretien de l'huile à moteur doit être fait conformément aux recommandations du présent manuel. Pour un entretien facile, des trousseaux d'entretien conçues pour cet appareil sont offertes par le fabricant. Elles comprennent de l'huile à moteur, un filtre à huile, un filtre à air, des bougies d'allumage, un chiffon et un entonnoir. Ces trousseaux sont disponibles auprès d'un fournisseur indépendant de services d'entretien agréé.



000399

## Inspection du niveau d'huile moteur



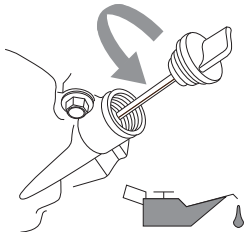
### ⚠ AVERTISSEMENT

Risque de brûlures. Laissez refroidir le moteur avant de vidanger l'huile ou le liquide de refroidissement. Le non-respect de cette consigne pourrait entraîner la mort ou des blessures graves.

(000139)

Inspectez le niveau d'huile moteur avant chaque utilisation ou toutes les 8 heures de fonctionnement.

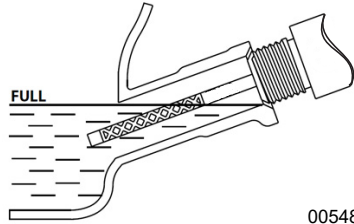
1. Placez le générateur sur une surface à niveau.
2. Nettoyez la zone de remplissage d'huile et le bouchon de vidange d'huile.
3. Retirez le bouchon de remplissage d'huile et essuyez la jauge. Reportez-vous à la **Figure 4-1**.



000115

Figure 4-1. Plein d'huile moteur

4. Pour vérifier le niveau d'huile, insérez la jauge dans le goulot de remplissage d'huile, sans la visser. Voir **Figure 4-2**.



005484

Figure 4-2. Plage de fonctionnement sûr

5. Retirez la jauge et vérifiez que le niveau d'huile se situe dans la plage permettant un fonctionnement sûr.
6. Ajoutez la quantité requise d'huile moteur recommandée.

**REMARQUE** : Vérifiez régulièrement le niveau d'huile lors du remplissage afin d'éviter de remplir le réservoir de façon excessive.

7. Réinstallez le bouchon de remplissage d'huile et serrez à la main.

**REMARQUE** : Certains appareils possèdent plusieurs orifices de remplissage d'huile. Il n'est pas nécessaire d'utiliser plus d'un point de remplissage.

## Changement de l'huile moteur

### ⚠ AVERTISSEMENT

Démarrage accidentel. Débranchez les câbles de bougie lorsque vous travaillez sur l'appareil. Le non-respect de cette consigne pourrait entraîner la mort ou des blessures graves.

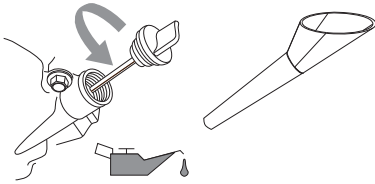
(000141)

Si vous utilisez le générateur dans un environnement extrêmement contraignant, sale, poussiéreux ou chaud, remplacez l'huile plus fréquemment.

**REMARQUE** : Ne polluez pas. Conservez les ressources. Jetez l'huile usée dans un centre de collecte des déchets approprié.

Assurez-vous que le moteur est toujours chaud, puis changez l'huile selon la procédure suivante :

1. Placez le générateur sur une surface à niveau.
2. Débranchez le fil de la bougie et placez-le à l'écart de celle-ci pour éviter tout contact.
3. Nettoyez la zone de remplissage d'huile et le bouchon de vidange d'huile.
4. Retirez le bouchon de remplissage d'huile et essuyez la jauge.
5. Inclinez l'appareil et vidangez l'intégralité de l'huile dans un bac prévu à cet effet.
6. Une fois l'huile bien vidangée de l'appareil, remettez ce dernier en place à niveau.
7. Insérez l'entonnoir dans l'orifice de remplissage d'huile. Reportez-vous à la **Figure 4-3**. Ajoutez la quantité requise d'huile moteur recommandée.



002404

**Figure 4-3. Orifice de remplissage d'huile avec entonnoir inséré**

8. Pour vérifier le niveau d'huile, retirez l'entonnoir et insérez la jauge dans le goulot de remplissage d'huile, sans le visser. Voir [Figure 4-2](#).
9. Retirez la jauge et vérifiez que le niveau d'huile se situe dans la plage permettant un fonctionnement sûr.

**REMARQUE** : Vérifiez régulièrement le niveau d'huile lors du remplissage afin d'éviter de remplir le réservoir de façon excessive.

10. Réinstallez le bouchon de remplissage d'huile et serrez à la main.
11. Essuyez l'huile éventuellement déversée hors du réservoir.
12. Mettez l'huile au rebut conformément à toutes les réglementations applicables.

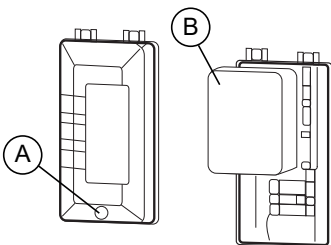
### Filtre à air

Si le filtre à air est sale, le moteur ne fonctionne pas correctement et risque d'être endommagé. Effectuez la maintenance du filtre à air plus souvent en cas d'environnement sale ou poussiéreux.

Pour procéder à la maintenance du filtre à air :

1. Dévissez le boulon (A) et retirez le capot du filtre à air. Reportez-vous à la [Figure 4-4](#).
2. Rincez le filtre (B) à l'eau savonneuse. Essorez-le dans un chiffon propre, SANS LE TORDRE.
3. Nettoyez le couvercle du filtre à air avant de le remettre en place.
4. Remettez le capot latéral en place et réinstallez les vis.

**REMARQUE** : Pour commander un filtre à air neuf, communiquez avec le CRIA le plus proche en composant le 1-888-436-3722.



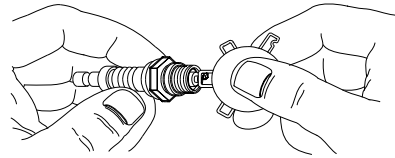
005486

**Figure 4-4. Filtre à air**

### Entretien de la bougie

Pour effectuer la maintenance de la bougie :

1. Retirez le cache des bougies d'allumage. Reportez-vous à la [Figure 2-1](#).
2. Nettoyez soigneusement la zone environnant la bougie d'allumage.
3. Retirez et inspectez la bougie.
4. À l'aide d'une jauge d'épaisseurs à fil, vérifiez l'écartement des bougies d'allumage, réajustez-le à une valeur de 0,6-0,7 mm (0,024-0,028 po.) Reportez-vous à la [Figure 4-5](#).



000211

**Figure 4-5. Bougie**

**REMARQUE** : Ne remplacez la bougie d'allumage que si les électrodes sont trouées ou brûlées, ou si la porcelaine est fissurée. Utilisez EXCLUSIVEMENT la bougie de rechange recommandée. Reportez-vous à la [Caractéristiques techniques du produit](#).

5. Installez la bougie d'allumage en la serrant à la main, puis serrez de 3/8 à 1/2 tour à l'aide d'une clé à bougies.

### Inspection du silencieux et du pare-étincelles

**REMARQUE** : L'utilisation du moteur sur un terrain recouvert de forêt, de broussailles ou d'herbe constitue une violation de l'Article 4442 du California Public Resource Code, à moins que le système d'échappement ne soit équipé d'un pare-étincelles entretenu en bon état de fonctionnement, comme défini dans ledit article. Des lois similaires peuvent s'appliquer dans d'autres juridictions.

Pour vous procurer un pare-étincelles adapté au système d'évacuation de ce moteur, contactez le fabricant d'équipement d'origine, un revendeur ou un concessionnaire.

**REMARQUE** : Utilisez EXCLUSIVEMENT des pièces de rechange d'origine.

Inspectez le silencieux pour vérifier l'absence de fissures, de signes de corrosion ou d'autres dommages. Retirez le pare-étincelles (le cas échéant) et inspectez-le pour vérifier qu'il n'est pas endommagé, ni obstrué par des dépôts de calamine. Remplacez les pièces endommagées.

## Inspection de l'écran du pare-étincelles



### ⚠️ AVERTISSEMENT

Surfaces chaudes. Lorsque vous utilisez l'appareil, ne touchez pas aux surfaces chaudes. Gardez l'appareil loin des matériaux combustibles lorsqu'il fonctionne. Le contact avec des surfaces chaudes pourrait entraîner des brûlures graves ou un incendie (000108)

## Nettoyage de l'écran du pare-étincelles

Le silencieux d'échappement du moteur est doté d'un écran pare-étincelles. Inspectez et nettoyez l'écran toutes les 50 heures de fonctionnement, ou à chaque changement de saison, le premier des deux cas prévalant.

Pour effectuer la maintenance du pare-étincelles :

1. Reportez-vous à la **Figure 4-6**. Retirez la bride afin de pouvoir retirer la bague d'arrêt.
2. Faites glisser les écrans du pare-étincelles hors du tube d'échappement du silencieux.
3. Inspectez soigneusement les écrans. S'ils vous semblent déchirés, perforés ou endommagés, remplacez-les. N'utilisez JAMAIS un écran défectueux. Si l'écran semble en bon état, nettoyez-le à l'aide d'un solvant disponible dans le commerce.
4. Remettez les écrans et la bague d'arrêt en place, puis réinstallez la bride et fixez l'ensemble.

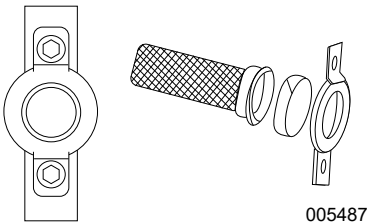


Figure 4-6. Écran du pare-étincelles

## Jeu de soupapes

**IMPORTANT:** Veuillez communiquer avec un fournisseur de services d'entretien agréé indépendant pour de l'assistance. Un jeu de soupape approprié est essentiel pour prolonger la durée de vie du moteur.

Vérifiez le jeu des soupapes après les 50 premières heures de fonctionnement. Ajustez-le si nécessaire.

- Admission —  $0,10 \pm 0,02$  mm (à froid), ( $0,004'' \pm 0,001''$ )
- Échappement —  $0,10 \pm 0,02$  mm (à froid), ( $0,004'' \pm 0,001''$ )

## Entreposage

### Généralités



### ⚠️ DANGER

Explosion et incendie. Le carburant et ses vapeurs sont extrêmement inflammables et explosifs. Entrepochez le carburant dans un endroit bien aéré. Gardez-le loin du feu et des étincelles. Le non-respect de cette consigne entraînera la mort ou des blessures graves. (000143)



### ⚠️ AVERTISSEMENT

Risque d'incendie. Vérifiez que l'appareil a bien refroidi avant d'installer une protection de rangement et d'entrepocher l'appareil. Le contact avec des surfaces chaudes pourrait entraîner un incendie. (000109)

Il est recommandé de démarer le générateur pour le faire tourner pendant 30 minutes tous les 30 jours. Si cela s'avère impossible, respectez les consignes suivantes pour préparer l'appareil à l'entrepochage.

- Ne placez JAMAIS un couvercle d'entrepochage sur un générateur chaud. Laissez l'appareil refroidir à température ambiante avant de l'entrepocher.
- N'entrepochez JAMAIS de carburant d'une saison à une autre à moins de l'avoir traité de façon appropriée.
- Remplacez le conteneur de carburant s'il présente des traces de rouille. La présence de rouille dans le carburant provoque des dysfonctionnements du circuit de carburant.
- Recouvrez l'appareil d'un couvercle de protection adapté résistant à l'humidité.
- Entrepochez l'appareil dans un lieu propre et sec.
- Veillez à toujours entrepocher le générateur et le carburant à l'écart des sources de chaleur et d'inflammation.

## Préparation du circuit de carburant/moteur à l'entrepochage

Tout carburant entrepoché pendant plus de 30 jours risque de se dégrader et d'endommager les composants du circuit de carburant. Veillez à ce que le carburant reste frais, et utilisez un stabilisateur de carburant.

Si un stabilisateur a été ajouté au circuit de carburant, préparez le moteur pour un entrepochage de longue durée. Faites tourner le moteur pendant 10 à 15 minutes pour faire circuler le stabilisateur dans l'ensemble du circuit de carburant. Un carburant préparé de façon appropriée peut être entrepoché pendant un maximum de 24 mois.

**REMARQUE :** Si le carburant n'a pas été traité avec un stabilisateur, il doit être purgé dans un conteneur adapté. Faites tourner le moteur jusqu'à ce qu'il s'arrête par manque de carburant. Il est recommandé d'utiliser un stabilisateur dans le conteneur d'entrepochage afin de conserver le carburant frais.

- 
1. Remplacez l'huile moteur.
  2. Retirez la bougie.
  3. Versez une cuillère à table (5-10 cm<sup>3</sup>) d'huile moteur propre ou vaporisez un agent anti-buée adapté dans le cylindre.



**AVERTISSEMENT**

Perte de la vision. Une protection oculaire est requise pour éviter les projections provenant du trou de bougie d'allumage pendant le lancement du moteur. Ne pas porter de protection oculaire pourrait entraîner la perte de la vision. (000181)

4. Tirez plusieurs fois la poignée du lanceur à rappel pour distribuer l'huile dans le cylindre.
5. Remettez la bougie en place.
6. Tirez lentement la poignée du lanceur à rappel jusqu'à ressentir une résistance. Cela a pour effet de fermer les soupapes afin d'empêcher la pénétration d'humidité dans le cylindre. Relâchez délicatement la poignée du lanceur à rappel.

### Remplacement de l'huile

Remplacez l'huile moteur avant d'entreposer le générateur. Voir [Changement de l'huile moteur](#).

## Dépannage

PROBLÈME	CAUSE	CORRECTION
Le moteur ne démarre pas.	<ol style="list-style-type: none"> <li>1. Sélecteur du cadran placé sur la position OFF.</li> <li>2. Panne de carburant.</li> <li>3. Bougie d'allumage défectueuse.</li> <li>4. Filtre à carburant bouché.</li> <li>5. Ensemble cadran défectueux ou bloqué.</li> <li>6. Niveau d'huile moteur incorrect.</li> <li>7. Bobine d'allumage défectueuse.</li> <li>8. Événement du bouchon du réservoir de carburant placé sur la position OFF.</li> <li>9. Carburateur immergé.</li> <li>10. Papillon de gaz fermé.</li> </ol>	<ol style="list-style-type: none"> <li>1. Placez le sélecteur du cran sur la position ON.</li> <li>2. Remplissez le réservoir de carburant.</li> <li>3. Remplacez la bougie d'allumage.</li> <li>4. Remplacez le filtre à carburant et versez un carburant neuf.</li> <li>5. Communiquez avec un CRIA.</li> <li>6. Vérifiez/faites l'appoint d'huile moteur.</li> <li>7. Communiquez avec un CRIA.</li> <li>8. Placez l'événement du bouchon du réservoir de carburant sur la position ON.</li> <li>9. Vidangez le carburateur.</li> <li>10. Ouvrez le papillon de gaz (poussez-le vers l'arrière de l'appareil).</li> </ol>
Le moteur démarre puis s'arrête.	<ol style="list-style-type: none"> <li>1. Panne de carburant.</li> <li>2. Niveau d'huile moteur incorrect.</li> <li>3. Carburant contaminé.</li> <li>4. Capteur de faible niveau d'huile défectueux.</li> </ol>	<ol style="list-style-type: none"> <li>1. Remplissez le réservoir de carburant.</li> <li>2. Vérifiez le niveau de l'huile moteur.</li> <li>3. Communiquez avec un CRIA.</li> <li>4. Communiquez avec un CRIA.</li> </ol>
Le moteur ne démarre pas, ou démarre mais tourne de manière saccadée.*	<ol style="list-style-type: none"> <li>1. Étrangleur bloqué ou toujours activé.</li> <li>2. Filtre à air sale ou bouché.</li> <li>3. Bougie d'allumage sale ou défectueuse.</li> <li>4. Filtre à carburant sale.</li> <li>5. Carburateur sale ou encrassé.</li> <li>6. Appareil non réchauffé.</li> <li>7. Pare-étincelles obstrué.</li> </ol>	<ol style="list-style-type: none"> <li>1. Désactivez l'étrangleur.</li> <li>2. Nettoyez ou remplacez le filtre à air.</li> <li>3. Remplacez la bougie d'allumage.</li> <li>4. Remplacez le filtre à carburant et versez un carburant neuf.</li> <li>5. Nettoyez le carburateur.</li> <li>6. Réglez progressivement le sélecteur du cadran de façon à réduire l'étrangleur, jusqu'à ce que le moteur tourne sans à-coups en position RUN.</li> <li>7. Nettoyez le pare-étincelles.</li> </ol>

PROBLÈME	CAUSE	CORRECTION
Absence de sortie c.a.	<ol style="list-style-type: none"> <li>1. Générateur surchargé.</li> <li>2. Surchauffe du module onduleur.</li> <li>3. Présence d'un court-circuit sur un dispositif électrique.</li> <li>4. Ensemble onduleur défectueux.</li> </ol>	<ol style="list-style-type: none"> <li>1. Débranchez toutes les charges. Mettez le générateur à l'arrêt afin de réinitialiser le module. Réduisez les charges et redémarrez le générateur.</li> <li>2. Vérifiez si la trappe d'entretien est placée sur la position ON. Laissez l'appareil refroidir pendant 15 minutes en faisant fonctionner le moteur sans aucune sortie c.a. Maintenez le bouton de réinitialisation du panneau de commande enfoncé, puis redémarrez le générateur.</li> <li>3. Vérifiez que les rallonges et les appareils/dispositifs à alimenter sont en bon état. Maintenez le bouton de réinitialisation du panneau de commande enfoncé.</li> <li>4. Communiquez avec un CRIA.</li> </ol>
Pertes de carburant au niveau des flexibles de vidange.	<ol style="list-style-type: none"> <li>1. Point de vidange du carburateur au niveau de la cuve non fermé.</li> </ol>	<ol style="list-style-type: none"> <li>1. Faites tourner la vanne en sens horaire pour fermer.</li> </ol>
<p>*Accélération puis diminution de la vitesse du moteur — Phénomène tout à fait normal, en raison des fluctuations des charges présentes au moment du démarrage du générateur.</p>		



Réf. 10000016698      Rév. B 12/15/2017

©2017 Generac Power Systems, Inc.

Tous droits réservés.

Les spécifications sont sujettes à modification sans préavis. Aucune forme de reproduction n'est autorisée sans le consentement écrit préalable de Generac Power Systems Inc.

**GENERAC**<sup>®</sup>

Generac Power Systems, Inc.  
S45 W29290 Hwy. 59  
Waukesha, WI 53189  
1-888-GENERAC (1-888-436-3722)  
[www.generac.com](http://www.generac.com)