

Series Spec Sheet

FLOOD LIGHT GEN 3

This modern design is a family of highly efficient and powerful LED flood lights available in five different lumen packages. Typical applications include general lighting of grounds, storage yards, car dealerships, parking areas as well as flood lighting of signs and building fronts. This series is a great addition to any commercial or industrial flood lighting application.

FEATURES AND SPECIFICATIONS

• Construction

Housing

Each fixture within this series has a modern design with aluminum die cast housing, with a bronze anticorrosive powder coat finish. Other colors are available upon request.

Mounting

This series comes either with a yoke or slipfitter mount.

Lens

This series is outfitted with a polycarbonate lens and is offered in a NEMA 7H x 7V or Type III distribution type.

• Compliances

- IP65
- IK10
- Wet location
- cULus
- Meets requirements of ICES-005 for class B products

• Electrical

- The drivers allow input from 120-277 or 347-480 V and is reliable in the coldest of temperatures.
- 0-10 V dimmable
- This series is suitable for ambient temperature range of -40 to 40 °C. Available in 4 000 and 5 000 K color temperatures with a lumen per watt ratio of 127 to 151 lm/W depending on the lumen package.

OVERVIEW

Light source	LED
Watts (W)	100 - 400
Lumen output (lm)	13 475 - 52 434
Efficacy (lm/W)	127 - 151
Color temperature (K)	4 000, 5 000
CRI	70



YOKE



SLIPFITTER



quick ship



LED fixture



dimmable



wet location



IK10



ICES 005



QUICK SHIP AND TECHNICAL SPECIFICATION TABLE  ¹

Order code	Model number	Watts (W)	Volts (V AC)	Lumen output (lm) ²	Efficacy (lm/W)	CRI	NEMA type	Life L70 (hrs) ³	Finish	Dimming (Yes/No)	EPA	B.U.G	LED current (mA)	Power factor	THD (%)	Traditional equivalent (W) HM	SHP	Case qty (master)	
4 000 K																			
YOKE																			
66879	FL/S3/100-277/100W/40K/YK/BZ/STD	100	120-277	13 494	139	70	7H x 6V	50 000	Bronze	Yes	1.22	3-0-2	1 500	0.90	<20	400	175	1	
66887	FL/S3/100-277/150W/40K/YK/BZ/STD	150	120-277	20 680	138	70	7H x 6V	50 000	Bronze	Yes	1.22	4-0-3	1 800	0.90	<20	400	400	1	
66920	FL/S3/277-480/150W/40K/YK/BZ/STD	150	347-480	21 618	139	70	7H x 6V	50 000	Bronze	Yes	1.22	4-0-3	880	0.90	<20	400	400	1	
66924	FL/S3/100-277/230W/40K/YK/BZ/STD	230	120-277	31 312	138	70	7H x 6V	50 000	Bronze	Yes	1.91	5-0-3	2 500	0.90	<20	400	400	1	
66932	FL/S3/100-277/300W/40K/YK/BZ/STD	300	120-277	41 169	135	70	7H x 6V	50 000	Bronze	Yes	2.47	5-0-3	3 500	0.90	<20	1 000	1 000	1	
66936	FL/S3/277-480/300W/40K/YK/BZ/STD	300	347-480	41 902	139	70	7H x 6V	50 000	Bronze	Yes	2.47	5-0-3	1 800	0.90	<20	1 000	1 000	1	
66940	FL/S3/100-277/400W/40K/YK/BZ/STD	400	120-277	52 340	129	70	7H x 6V	50 000	Bronze	Yes	3.1	5-0-3	5 000	0.90	<20	1 000	1 000	1	
66944	FL/S3/277-480/400W/40K/YK/BZ/STD	400	347-480	52 413	130	70	7H x 6V	50 000	Bronze	Yes	3.1	5-0-3	2 800	0.90	<20	1 000	1 000	1	
4 000 K																			
SLIPFITTER																			
66926	ARL/S3/100-277/230W/40K/II/SF/BZ/STD	230	120-277	31 312	138	70	III	50 000	Bronze	Yes	1.91	4-0-5	2 500	0.90	<20	400	400	1	
66930	ARL/S3/277-480/230W/40K/II/SF/BZ/STD	230	347-480	32 456	137	70	III	50 000	Bronze	Yes	1.91	4-0-5	1 400	0.90	<20	400	400	1	
66942	ARL/S3/100-277/400W/40K/II/SF/BZ/STD	400	120-277	51 343	127	70	III	50 000	Bronze	Yes	3.1	5-0-5	5 000	0.90	<20	1 000	1 000	1	
5 000 K																			
YOKE																			
66888	FL/S3/100-277/150W/50K/YK/BZ/STD	150	120-277	20 680	138	70	7H x 6V	50 000	Bronze	Yes	1.22	4-0-3	1 250	0.90	<20	400	400	1	
66921	FL/S3/277-480/150W/50K/YK/BZ/STD	150	347-480	21 618	140	70	7H x 6V	50 000	Bronze	Yes	1.22	4-0-3	392 - 557	0.90	<20	400	400	1	
66929	FL/S3/277-480/230W/50K/YK/BZ/STD	230	347-480	32 456	138	70	7H x 6V	50 000	Bronze	Yes	1.91	5-0-3	491 - 833	0.90	<20	400	400	1	
66933	FL/S3/100-277/300W/50K/YK/BZ/STD	300	120-277	41 924	137	70	7H x 6V	50 000	Bronze	Yes	2.47	5-0-3	2 476 - 628 - 1117	0.90	<20	1 000	1 000	1	
66937	FL/S3/277-480/300W/50K/YK/BZ/STD	300	347-480	41 902	139	70	7H x 6V	50 000	Bronze	Yes	2.47	5-0-3		0.90	<20	1 000	1 000	1	
5 000 K																			
SLIPFITTER																			
66886	ARL/S3/277-480/100W/50K/II/SF/BZ/STD	100	347-480	14 687	151	70	III	50 000	Bronze	Yes	1.22	3-0-3	220 - 389	0.90	<20	250	200	1	

¹ **QUICK SHIP:** Product availability is subject to change without notice. Please contact your Stanpro customer service representative to confirm inventory levels at time of order.

² Lumen values are derived from photometric testing. Initial lumens range: +/- 10 %.

³ Life hours are derived from IESNA LM-80-08 testing report and projected per IESNA TM-21-11 extrapolations.

ACCESSORIES (order separately)

Order code	Description	Type	Compatible with
67055	FL/S3/ACC/MA/STD	Straight arm for pole mount	66922, 66926, 66930, 66942
66702	LFL/L/S2/ACC/MA/RND POLE MOUNT/STD	Round pole adapter (4", 5" & 6")	66922, 66926, 66930, 66942
66155	LFL/L/S2/ACC/SF/SQR POLE MOUNT/STD	Wall mount adapter	66922, 66926, 66930, 66942

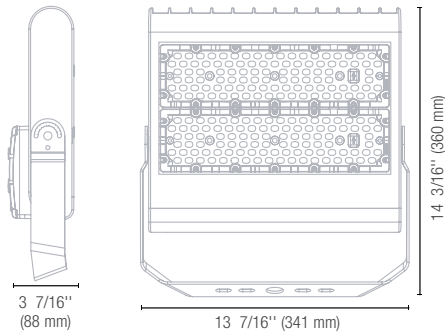


Data is based upon tests performed in a controlled environment. Actual performance can vary depending on operating conditions. All products are subject to change or may be discontinued any time without notice.

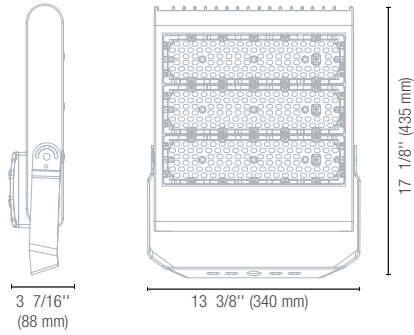
DIMENSIONS

YOKE

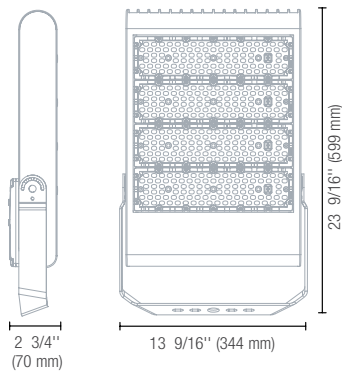
100 - 150 W



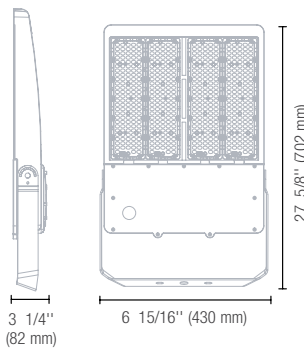
230 W



300 W

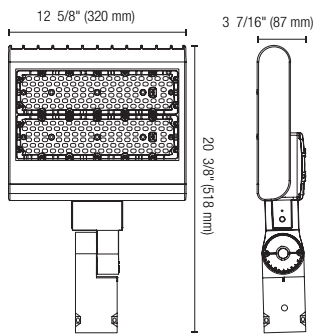


400 W

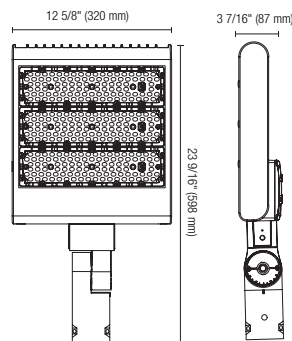


SLIPFITTER

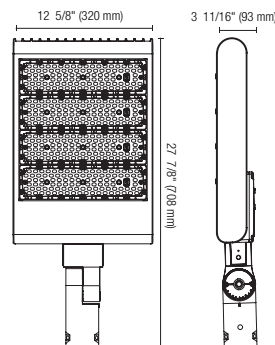
100 - 150 W



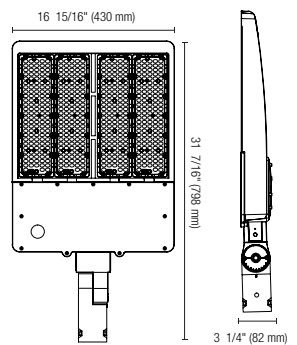
230 W



300 W



400 W



Data is based upon tests performed in a controlled environment. Actual performance can vary depending on operating conditions. All products are subject to change or may be discontinued any time without notice.