



The FieldSET OTi180W is an efficient, dimmable, linear LED driver for outdoor applications. This programmable driver is compatible with the FieldSET LED Driver Programming Tool which provides visual and audible feedback programming. The FieldSET OTi180W is designed for in-field programming and replacement.

### Driver Overview

- Intended for use in LED fixtures including Industrial, High-bay, Outdoor, and Cobra-head fixtures.
- 180W Output
- 0-10V Dimming with 5% Minimum Dim Level
- IP66 Rated

### General Information

Drive Description	180W 120-277V; 5% min dim
Type	Constant Current
Output Power	180W (Max.)
Programming Tool	FieldSET LED Driver Programmer
Field Programmable Features	Output Current Dimming Level

### Electrical Specifications

#### Input

Input Voltage (VAC)	120V-277V (+/-10%)	
Frequency Range (Hz)	50-60 Hz (+/- 10%)	
	<b>120V</b>	<b>277V</b>
Input Current (A)	1.65A	0.71A
THD @ Full load	<10%	<10%
Power Factor @ Full load	>0.9%	>0.9%
Efficiency @ Full load	≥91%	≥93%
Inrush Current (Apk)	40A, 412μs	96.5A, 413μs

#### Output

Output Current (mA)	600-1250mA (1mA step)
Output Voltage (VDC)	70-210VDC
Output Ripple Current	<20% @1250mA
Max. Output Power (W)	180W
LED Power-Up Time	<1 sec
Load Regulation	<3%
Line Regulation	<3%
Over Voltage Protection	Yes
Over Load Protection	Current fold back @183W, non-latching
Output Short-Circuit Protection	Yes, non-latching

### Dimming

Dimming Control	0-10V (Isolated) <sup>1</sup> , AstroDIM
Dimming Range	10-100% (50mA Min.)
Dimming Type	Analog
Source/Sink Current	0.8mA

**CAUTION:** More than one power supply present; Compliant with ANSI C137.1  
<sup>1</sup> Class 2 or non-Class 2 wiring allowed.

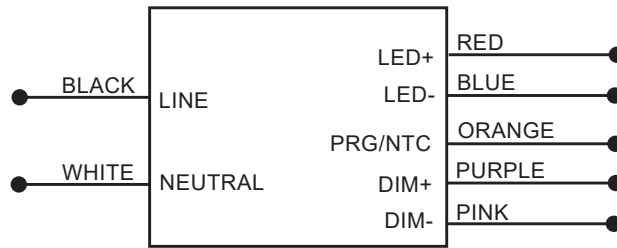
### Environmental Specifications

Ambient Operating Temperature	-40°C to 55°C
Max. Case Temperature (Tc)	85°C <sup>1</sup> 90°C (Max.)
Max. Storage Temp.	70°C
Max. Relative Humidity (%)	95% non-condensing
Transient Protection	ANSI C62.41 Cat B 6.0kV,4kV EFT
UL Environmental Rating	UL CLASS P, Dry and Damp, Type HL
UL File number	E320395
IP Rating	IP66
EMI Compliance	FCC 47 Part 15 Class A
Sound Rating	Class A

<sup>1</sup> 5 year warranty applicable at 85°C



Wiring Diagram

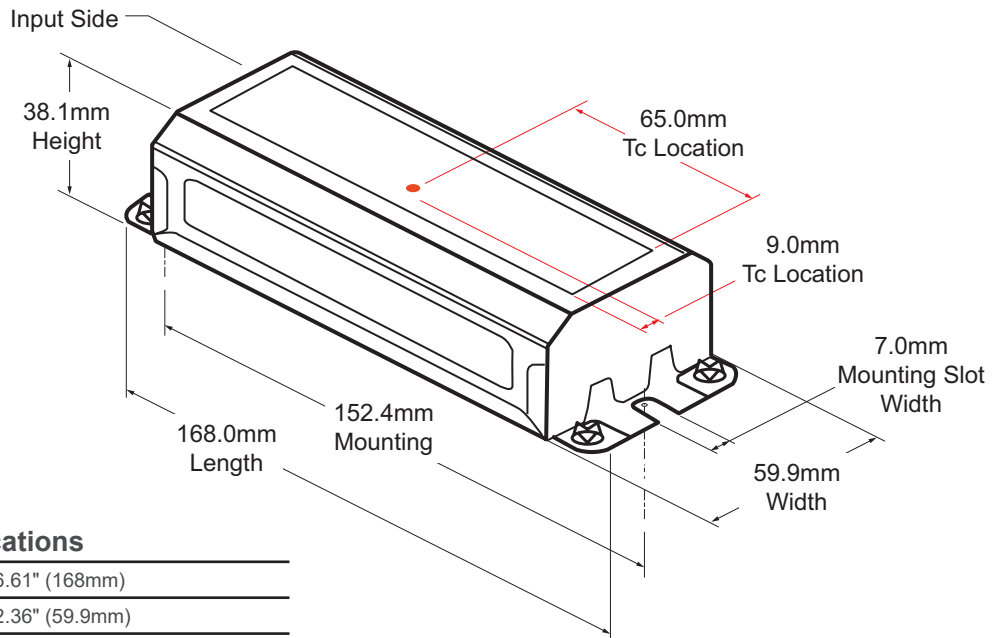


NOTES:

Maximum remote mounting distance is 16 feet.

The Dimming input is isolated and will allow Class 2 or non-Class 2 wiring across Purple and Gray wires.

Mechanical Diagram



Mechanical Specifications

Length	6.61" (168mm)
Width	2.36" (59.9mm)
Height	1.5" (38.1mm)
Mounting Length	6.0" (152.4mm)
Mounting Slot Width	0.28" (7mm)

Inrush Characteristic

V <sub>in</sub> (V)	I <sub>peak</sub> (A)	T(@ 10% of I <sub>peak</sub> )
120	40	412µs
277	96.5	413µs

Complies to NEMA 410 inrush current requirements.

## Ordering Information

Series	Driver Type	Wattage	Input Voltage	Output Current	Control	IP Rating	Programmer
FieldSET	OTi	180W	UNV	1250C	2DIM	P6	FS

Understanding Your Driver Model			
<b>FieldSET</b>	Field Service Solution	<b>1250C</b>	1250mA Output
<b>OTi</b>	OTI Intelligent Driver	<b>2DIM</b>	0-10V Dimming plus Astro Dim
<b>180W</b>	180W Output	<b>P6</b>	IP66 Rating
<b>UNV</b>	120-277VAC Input	<b>FS</b>	Programmed using FieldSET Programmer Tool

## Warranty

FieldSET and OPTOTRONIC® by eldoLED Products are covered by a 5-year limited warranty. This is the only warranty provided and no other statements in this specification sheet create any warranty of any kind. All other express and implied warranties are disclaimed. Complete warranty terms can be found at: [www.eldoled.com/legal/terms-and-conditions](http://www.eldoled.com/legal/terms-and-conditions)

**Note:** Actual performance may differ as a result of end-user environment and application. Specifications subject to change without notice.