

LTR-S Specification Series

24VDC Tunable White CCT LED Tape Specification Sheet



Project Name	Type
Catalog #	Date

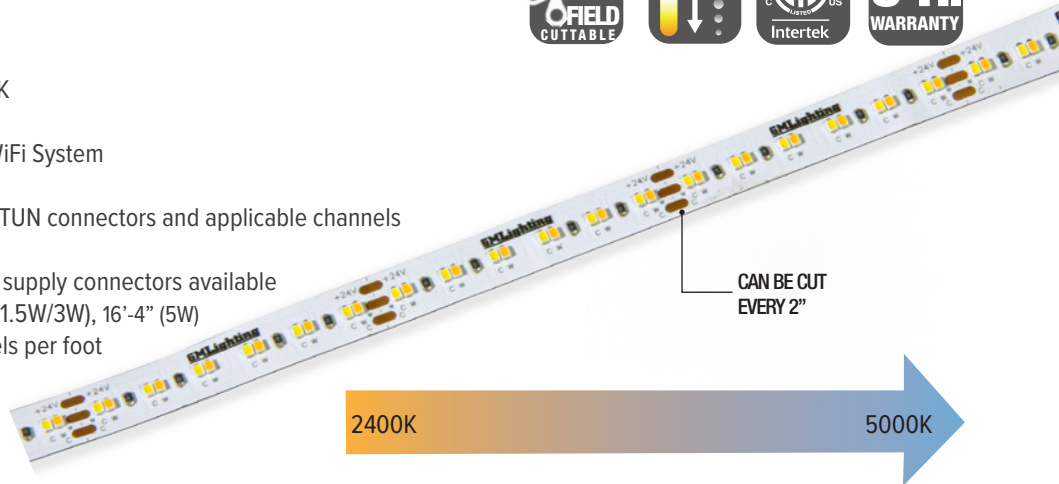
PRODUCT OVERVIEW

Tunable white enables light to be 'fine tuned' over a spectrum of white color temps, therefore allowing subtle to stark ambiance changes to match the mood, the event, or the subject illuminated. Our Tunable White LED Tape can be adjusted from 2400K to 5000K and dimmed down to 0.1%.



FEATURES

- 1.5W / 3W / 5W per foot
- Adjust color temp. from 2400K to 5000K
- 120° viewing angle
- Works with ChromaDim or LUXcontrol WiFi System
- Cuttable every 2" (6 pairs of diodes)
- Custom cuts available - must use LTR-S-TUN connectors and applicable channels
- Mounts with 3M VHB™ double stick tape
- Flexible tape to tape and tape to power supply connectors available
- Maximum run on a given lead is 32'-8" (1.5W/3W), 16'-4" (5W)
- Available in 16'-4" (5M) or 100'(30M) reels per foot



SPECIFICATIONS

ELECTRICAL

- 24V
- 1.5W / 3W / 5W per foot

OPTICS

- 90+ CRI

OPERATING TEMP

- -4°F to 122°F

CERTIFICATION

- ETL
- IP20
- Title 24 compliant when used with specific drivers. Consult factory.

WARRANTY

- 5-year warranty when paired with GM power supply.

ORDERING INFORMATION

Example: LTR-S-TUN-24V-3.0W-16

Model	Series	Type	Voltage	Wattage	Reel Length
LTR	S	TUN	24V	1.5W	*16
				3.0W	*FT
				5.0W	100ft

For recommended channels, see next page.

*Reel Length: 16 = 16'-4", FT = enter length

ACCESSORIES

Model	Description
LTR-S-TUN-SP	LTR-S-TUN splice connector
LTR-S-TUN-TPC60	LTR-S-TUN 60" tape to power connector
LTR-S-TUN-TTC3	LTR-S-TUN 3" tape to tape connector
LTR-S-TUN-TTC12	LTR-S-TUN 12" tape to tape connector
LTR-S-TUN-TTC24	LTR-S-TUN 24" tape to tape connector
LTR-S-TUN-TTC36	LTR-S-TUN 36" tape to tape connector
LTR-S-TUN-TTC60	LTR-S-TUN 60" tape to tape connector

CONTROLLERS

Model	Description
LTR-S-TUN-SYS	ChromaDim Tunable White Lighting System; Wall Controller and Driver
LTR-S-TUN-24V-90W	90W 24V Tunable White ChromaDim Driver
SHWC-CCT	LUXcontrol™ Smart 2.4GHz WiFi Controller, CCT 12V/24V Low Voltage, 2-Channel / 3-Wire
SHWC-RGBW-RPT	Universal Smart Power Repeater

Note: For SHWC-CCT controller, max. load is 200W at 24V. LUXcontrol and ChromaDim are two separate systems. They cannot be merged.

LTR-S Specification Series

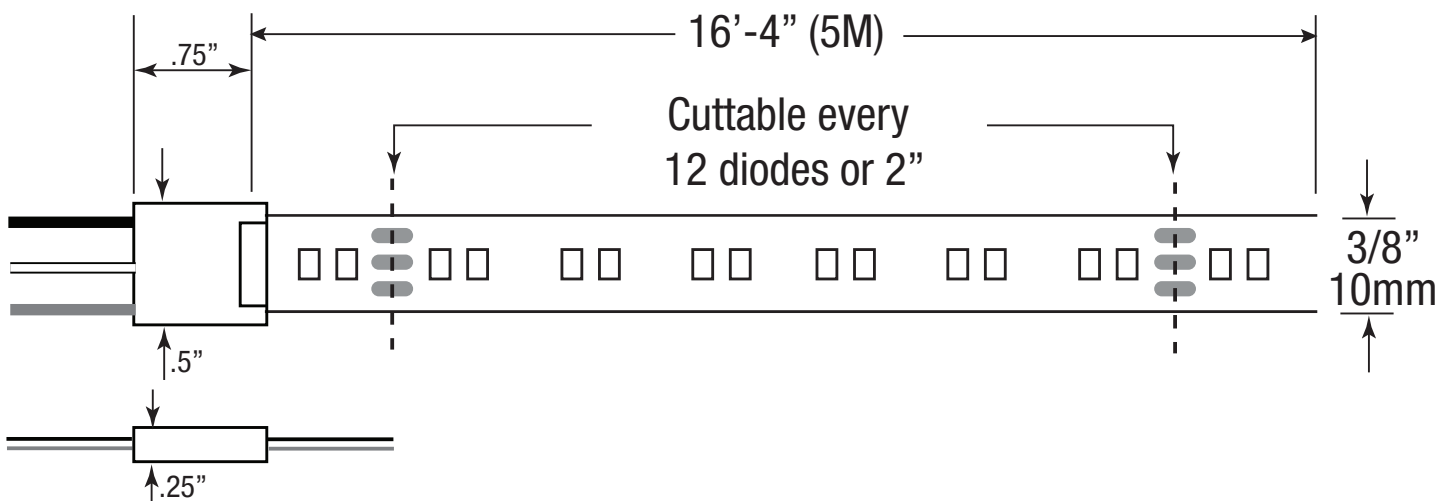
24VDC Tunable White CCT LED Tape Specification Sheet



Catalog No.	Length	Lumens	CRI	Color Temp.	Max. Run
LTR-S-TUN-24V-1.5W-16	16'-4" / 5M	162 (3500K)	90+	2400-5000K	32'-8"
LTR-S-TUN-24V-1.5W-100	100'(30M)	162 (3500K)	90+	2400-5000K	32'-8"
LTR-S-TUN-24V-1.5W-FT	Per Foot	162 (3500K)	90+	2400-5000K	32'-8"
LTR-S-TUN-24V-3.0W-16	16'-4" / 5M	267 (3500K)	90+	2400-5000K	32'-8"
LTR-S-TUN-24V-3.0W-100	100'(30M)	267 (3500K)	90+	2400-5000K	32'-8"
LTR-S-TUN-24V-3.0W-FT	Per Foot	267 (3500K)	90+	2400-5000K	32'-8"
LTR-S-TUN-24V-5.0W-16	16'-4" / 5M	415 (3500K)	90+	2400-5000K	16'-4"
LTR-S-TUN-24V-5.0W-100	100'(30M)	415 (3500K)	90+	2400-5000K	16'-4"
LTR-S-TUN-24V-5.0W-FT	Per Foot	415 (3500K)	90+	2400-5000K	16'-4"

Each 16'-4" and 100' reel includes 48" of lead affixed at start of reel. Connectors are not included and must be ordered separately.
Kelvin temperature (color) ±200K.

DIMENSIONS



RECOMMENDED CHANNELS

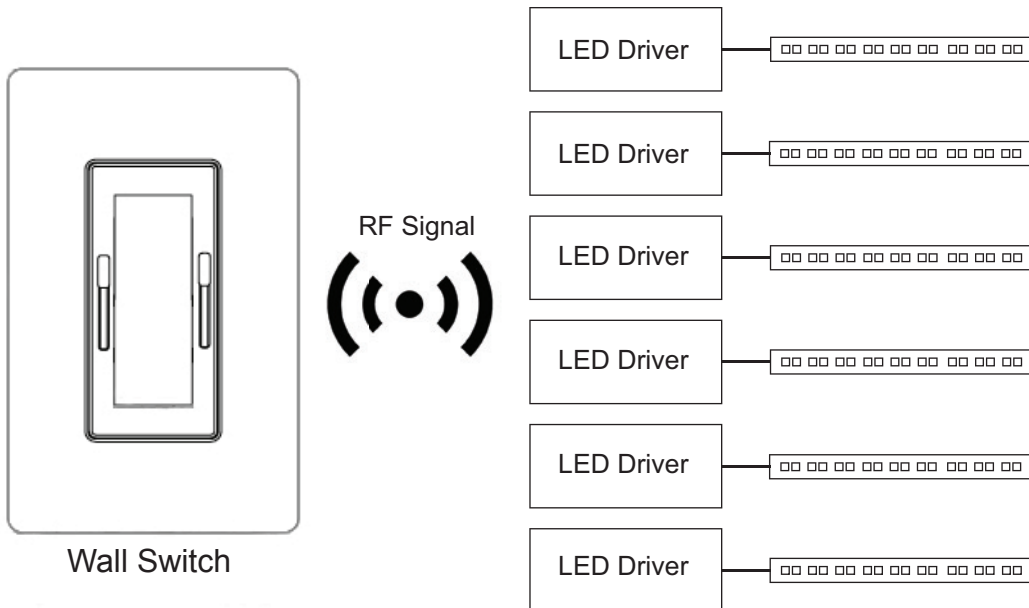
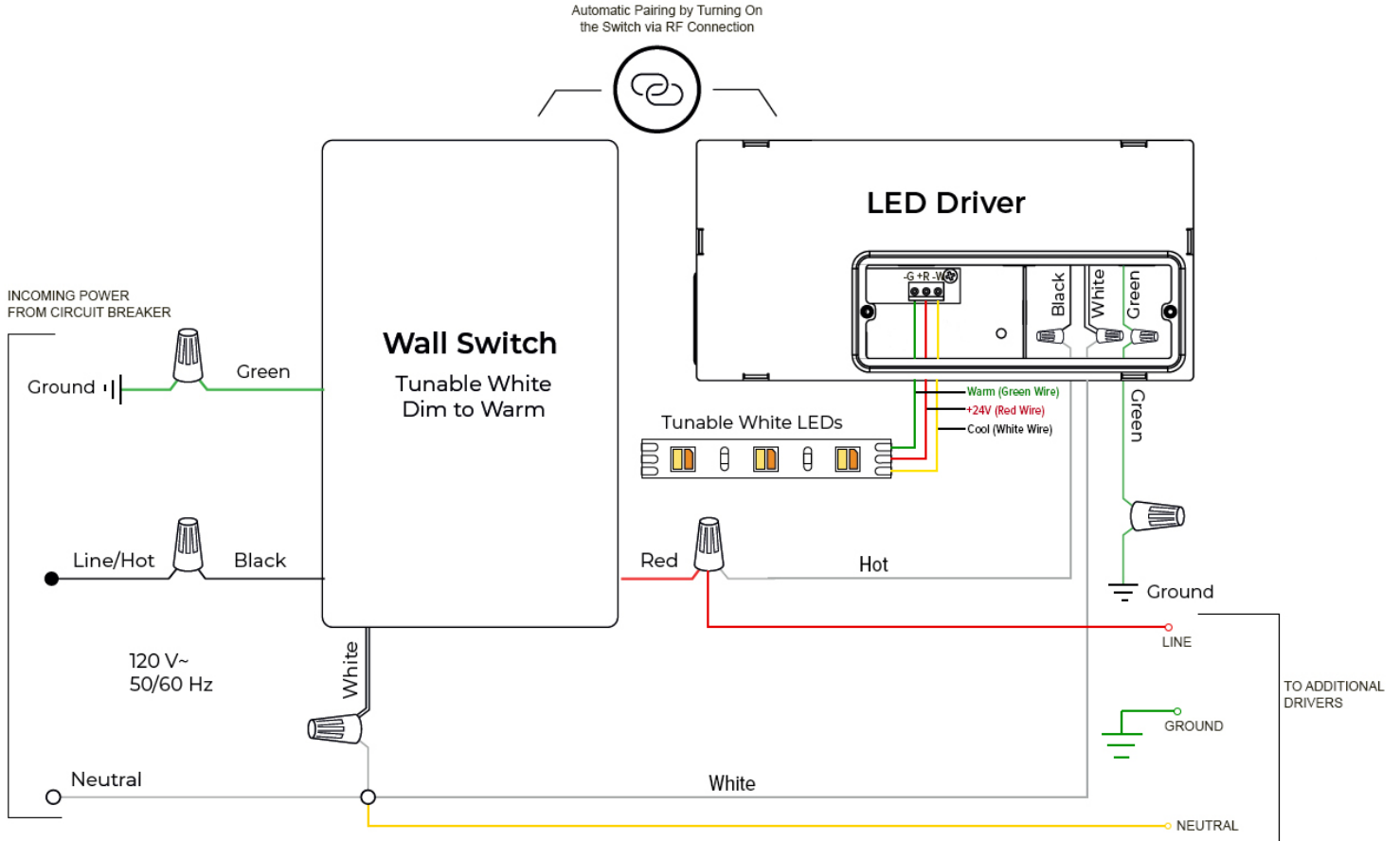
- LED-CHL-45
- LED-CHL-45-1200
- LED-CHL-W
- LED-CHL-XD
- LED-CHL-XD-F
- LED-CHL-XD-MD
- LED-CHL-XD-MD-F
- LED-CHL-MI-ST8
- LED-CHL-MI-C8

LTR-S Specification Series

24VDC Tunable White CCT LED Tape Specification Sheet



ChromaDim WIRING DIAGRAM



Note: All drivers will work in sync. (1) Wall Controller can pair with (6) drivers max.

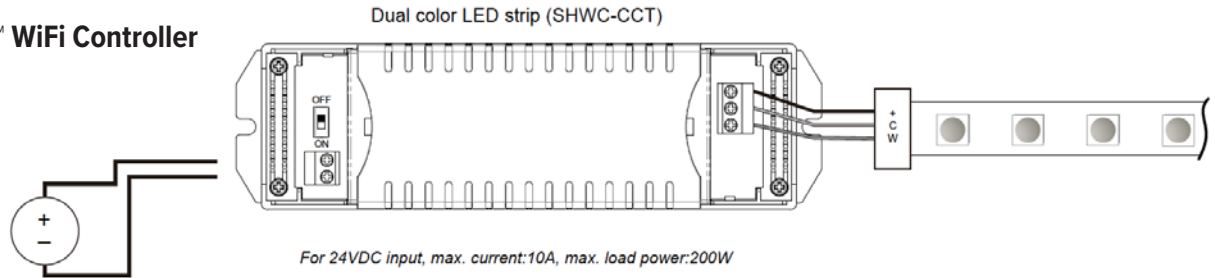
LTR-S Specification Series

24VDC Tunable White CCT LED Tape Specification Sheet

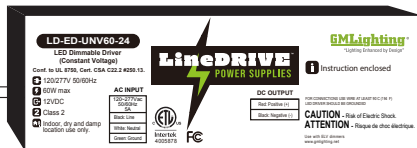
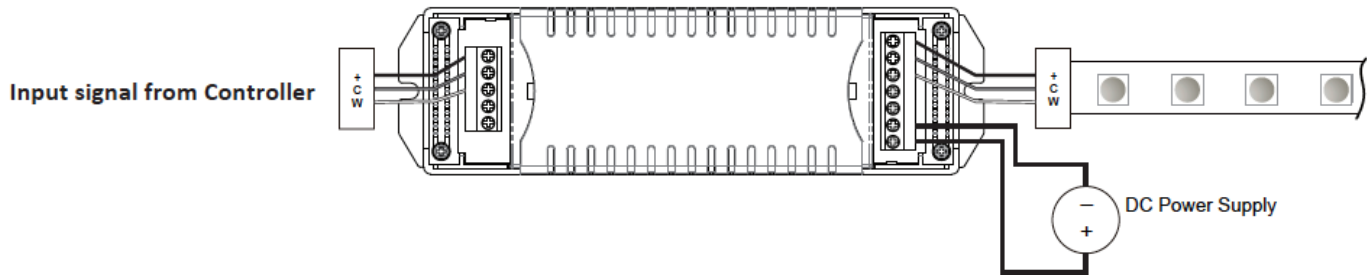


LUXcontrol WIRING DIAGRAM

CCT + LUXcontrol™ WiFi Controller

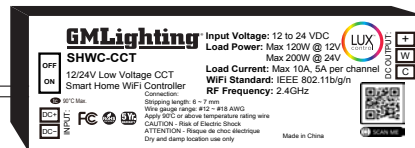


SHWC-CCT and Repeater Wiring Dual color connection (CCT, 2 channels)

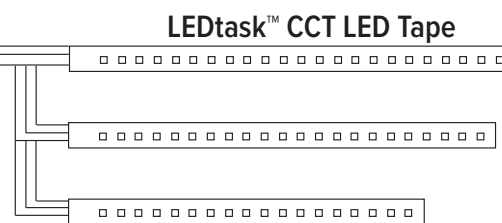


24V LineDRIVE™ Power Supply

Note: For use with 24V LD-E (non-dimmable) or LD-ED (dimmmable) power supply only. Not compatible with LD-MD (magnetic) power supply.



LUXcontrol™ CCT Controller



Expandable with universal power repeater (SHWC-RGBW-RPT) for larger projects



Remote WiFi Control
LUXcontrol™ App



Router Signal

