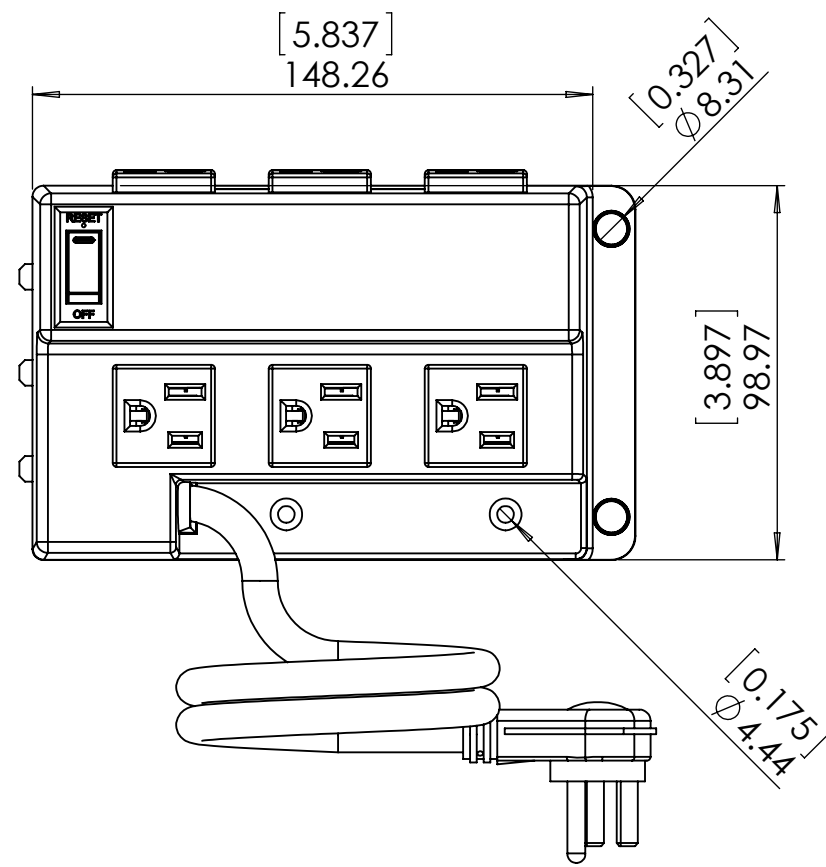
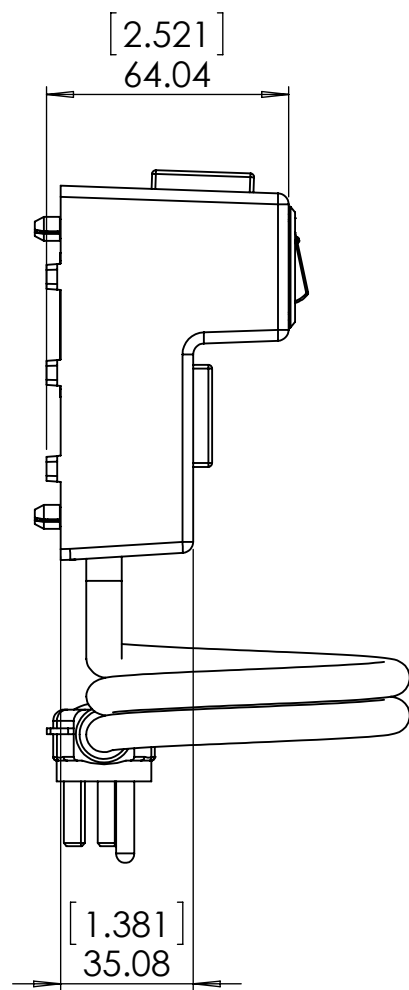


2

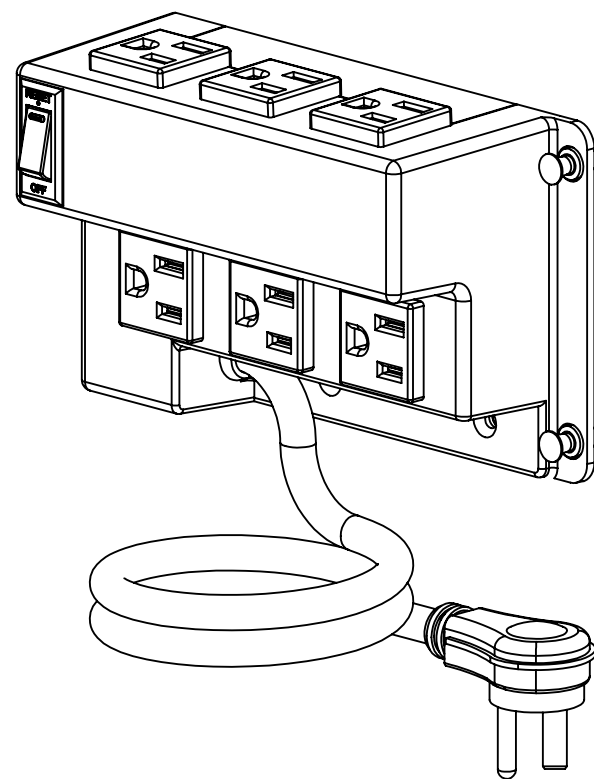
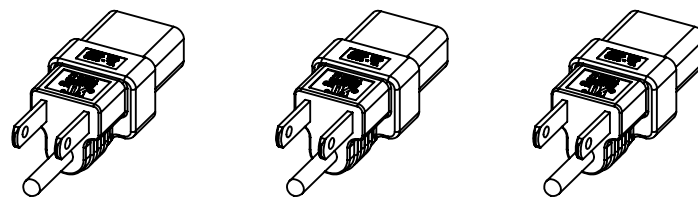
1

NOTES:
 1. AC CORD IS 19 IN. LONG
 2. THREE (3) PLUG ADAPTERS INCLUDED

B



B



A

A

PROPRIETARY AND CONFIDENTIAL
 THE INFORMATION CONTAINED
 IN THIS DRAWING IS THE SOLE
 PROPERTY OF On-Q/LEGRAND.
 ANY REPRODUCTION IN PART OR
 AS A WHOLE WITHOUT THE WRITTEN
 PERMISSION OF On-Q/LEGRAND
 IS PROHIBITED. DRAWING IS SUBJECT
 TO CHANGE WITHOUT NOTICE.



P.O. Box 60907
 Middletown, PA 17106-0907
 1-800-321-2343

TITLE:

**ENCLOSURE POWER STRIP
 MODULE HALF WIDTH**

SIZE A	DWG NO AC1031	FILE NAME CD-AC1031	CUST REV A
REVISED DATE 03/24/2015	SCALE NONE	SHEET 1 OF 1	

2

1