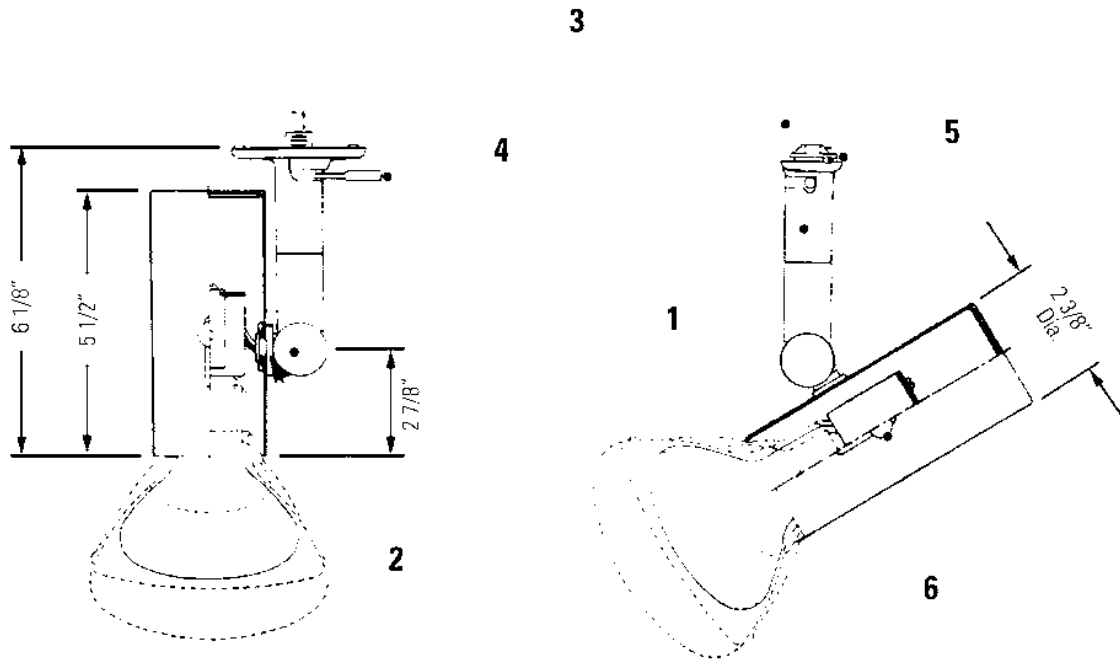


Project: \_\_\_\_\_  
 Location: \_\_\_\_\_  
 Cat.No: \_\_\_\_\_  
 Type: \_\_\_\_\_  
 Lamps: \_\_\_\_\_ Qty: \_\_\_\_\_  
 Notes: \_\_\_\_\_



#### Ordering Information

Catalog No.	Description of Lamps	Finish	Mountings
6320	Housing Only = 75W R20; 75W-100W R30; 250W PAR38;	Matte White	All Lytespan Track Systems
6322	150W PAR38 Cool Beam; 75W PAR16, 50W PAR20, 75W PAR30	Matte Black	

#### Features

- Lytespan Attachment Fitting:** die-cast zinc alloy.
- Pivot Mounting:** tensioned with built-in stop, provides 90° vertical adjustment.
- Movable Brass Contact:** extends for connection to 2nd circuit in Advent Lytespan Track.
- Lever:** energizes unit.
- Polarity Keyway**
- Thumbscrew:** for lampholder adjustment.

#### Finish

All painted finishes baked enamel.

#### Labels

UL, I.B.E.W.

#### Electrical

Porcelain socket, medium base, nickel plated screw shell.  
 No. 18 braided SF-1 leads.

