



Centium T5

CENTIUM ELE BALLAST (2) F28T5 120-277V

Philips Advance Centium ballasts for T5 lamps at 120-277V are now available with our industry leading N-can at 9.5" x 1.3" x 1.0" or T-can at 14.17" x 1.18" x 1.06", which provides fixture manufacturers increased versatility in their newer generation fixture designs. These ballasts are compatible with all major energy-saving T5 linear lamps and have a variety of other features which makes them ideal for a variety of applications. The ballasts' programmed start ignition provides extended lamp life in frequent switching applications such as those where occupancy sensors are being used. They also feature lamp End-Of-Life (EOL) protection circuitry which safely removes power from the lamp at the end of lamp life.

Product data

| General Information | |
|-------------------------------|------------------------|
| Lamp Type | F28T5 |
| Number of Lamps | 1/2 piece/unit |
| Ballast Type | Electronic Fluorescent |
| Base Model | ICN2S28N |
| Suitable For Outdoor Use | Yes |
| Automatic Restart | Yes |
| Operating and Electrical | |
| Input Voltage | 120 to 277 V |
| Input Frequency | 50 to 60 Hz |
| Total Harmonic Distortion USA | 10 % |
| Ignition Method | Programmed Start |
| Crestfactor (Nom) | 1.7 |
| Ignition Time (Nom) | 1.5 s |
| Ballast Factor (Nom) | 1.03 |
| Power Factor (Nom) | 0.98 |
| Input Current (Max) | 0.53 A |

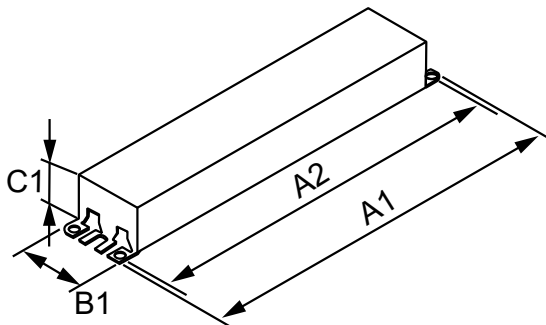
| Input Current (Min) | 0.23 A |
|--|----------------|
| Input Power (Nom) | 63-62 W |
| Rated Lamp Power | 28 W |
| Wiring | |
| Color Input Terminals | No terminals |
| Color Output Terminals | No terminals |
| Wire Striplength | 0.50/0.375 mm |
| Lamp Connection | Series |
| Wire Length by Color | See data sheet |
| Wire Gauge (Nom) | 18AWG mm |
| Wire Type | Solid |
| Remote Wiring Configuration Allowed | Yes |
| Tandem Wiring Configuration Allowed | Yes |
| Through Wiring Configuration Allowed | Yes |
| Max Ballast-Lamp Distance Remote Wiring | 20' |
| Max Ballast-Lamp Distance Tandem Wiring | Blue = 10' |
| Max Ballast-Lamp Distance Through Wiring | Blue = 10' |

Centium T5

| | |
|---------------------------------|--|
| Connector Type | No connector |
| Temperature | |
| T-Case Maximum (Nom) | 70 °C |
| Mechanical and Housing | |
| Housing Material | Metal |
| Housing | N |
| Housing Dimensions | 9.5" x 1.3" x 1.0" |
| Approval and Application | |
| EMC Immunity Standard | FCC Non-Consumer |
| Approval Marks | CSA certificate UL certificate CEC Listing FIDE Certificate NOM certificate RoHS Compliant |

| | |
|---------------------------------|--|
| Hum And Noise Level | A |
| UL Recognized | No |
| Product Data | |
| Order product name | CENTIUM ELE BALLAST (2) F28T5 120-277V |
| EAN/UPC - Product | 781087080726 |
| Order code | 913710891602 |
| Numerator - Quantity Per Pack | 1 |
| Numerator - Packs per outer box | 30 |
| Material Nr. (12NC) | 913710891602 |
| Net Weight (Piece) | 373.000 g |

Dimensional drawing



ELE BALLAST (2) F28T5 120-277V

| Product | A1 | A2 | B1 | C1 |
|--|---------|---------|---------|---------|
| CENTIUM ELE BALLAST (2) F28T5 120-277V | 9.50 in | 8.90 in | 1.30 in | 1.00 in |

