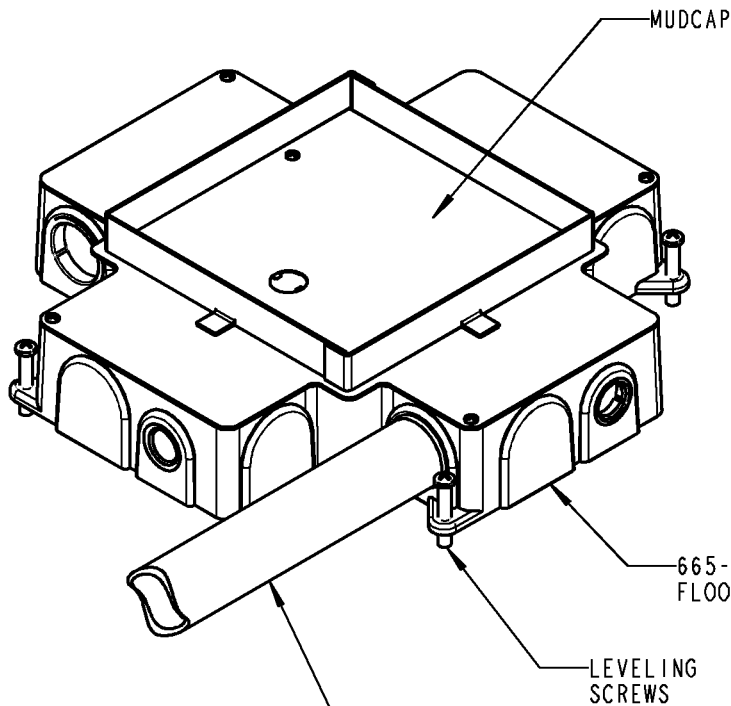


# Steel City

**FIG. 1**



POSITION FLOOR BOX SO THAT TOP EDGE IS FLUSH TO 1/16" BELOW CONCRETE SCREED LINE.

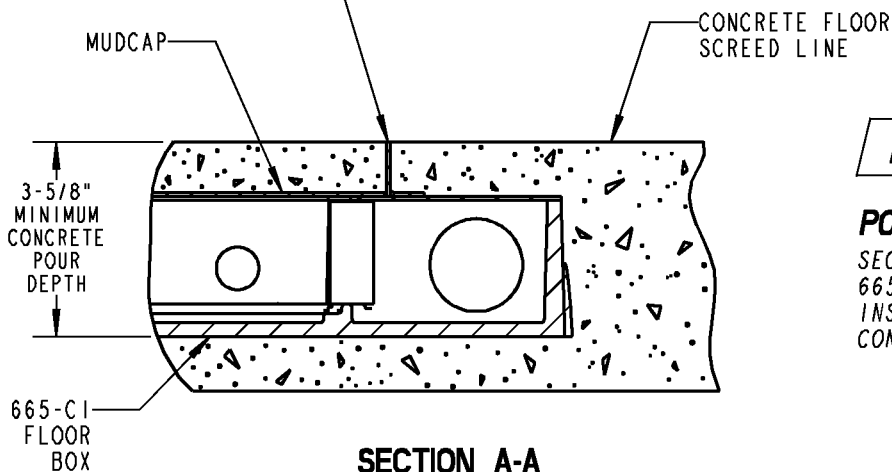
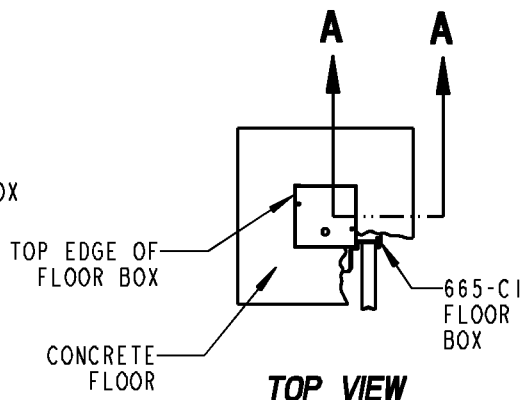
INSTALL CONDUIT AS REQUIRED

**BEFORE CONCRETE POUR**

A) POSITION FLOOR BOX AND DETERMINE CONDUIT LAYOUT. REMOVE MUDCAP AND CONDUIT PLUGS. ATTACH CONDUIT (NOT SUPPLIED WITH BOX).

B) REPLACE MUDCAP

C) USE LEVELING SCREWS TO ADJUST BOX SO THAT TOP EDGE OF MUDCAP IS FLUSH TO 1/16" BELOW SCREED LINE.



**SECTION A-A**

**FIG. 2**

**POUR CONCRETE FLOOR**

SECTION A-A SHOWS 665-C1 FLOOR BOX INSTALLED IN CONCRETE FLOOR

**GENERAL NOTES**

1. ALL DIMENSIONS ARE FOR REFERENCE ONLY.
2. DIMENSIONS IN BRACKETS [ ] ARE IN METRIC UNITS.

**REVISIONS**

\*\* SEE ERN ( \*\*\*\* ) FOR APPROVAL SIGNATURES & RELEASE DATE. PROJECT NO: \*\*\*\*

**Thomas & Betts**  
www.tnb.com

DESCRIPTION:

**665-C1 CAST IRON FLOOR BOX  
INSTALLATION GUIDE**

ORIGINAL PROJECT NO / ( ERN NO )

UD55558 / ( 200475 )

SHEET NO:

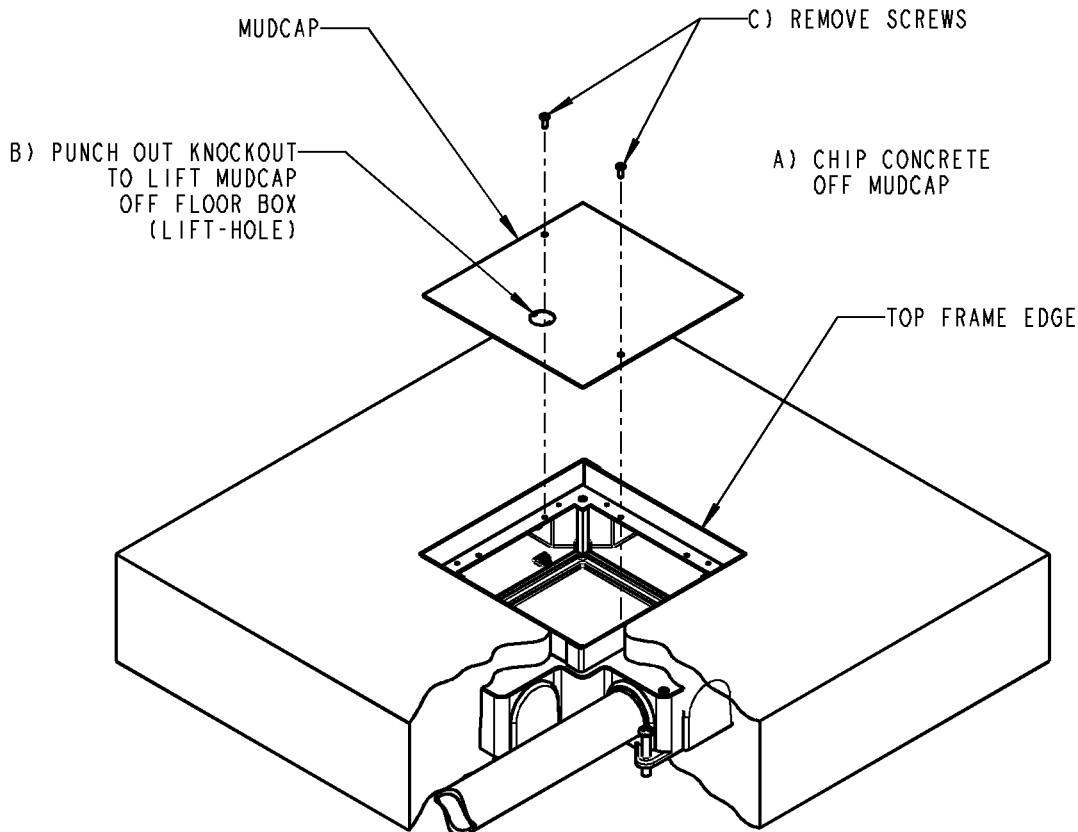
1 OF 3

REV. NO:

-

DRAWING NO:

**WSD-000090**



**FIG. 3**

**AFTER CONCRETE POUR**

ACTIVATE 665-CI FLOOR BOX FOR COVER INSTALLATION.

A) CHIP CONCRETE ON TOP OF MUDCAP  
WITHIN THE "TOP FRAME EDGE" OF THE  
FLOOR BOX.

B) PUNCH OUT KNOCKOUT (LIFT-HOLE) AND  
REMOVE MUDCAP SCREWS.

C) USE LIFT-HOLE AND LIFT MUDCAP OFF FLOOR BOX.

THE FLOOR BOX IS NOW READY FOR 665 SERIES  
DEVICE AND COVER INSTALLATION.

**Thomas & Betts**  
www.tnb.com

DESCRIPTION:

**665-CI CAST IRON FLOOR BOX  
INSTALLATION GUIDE**

SHEET NO:

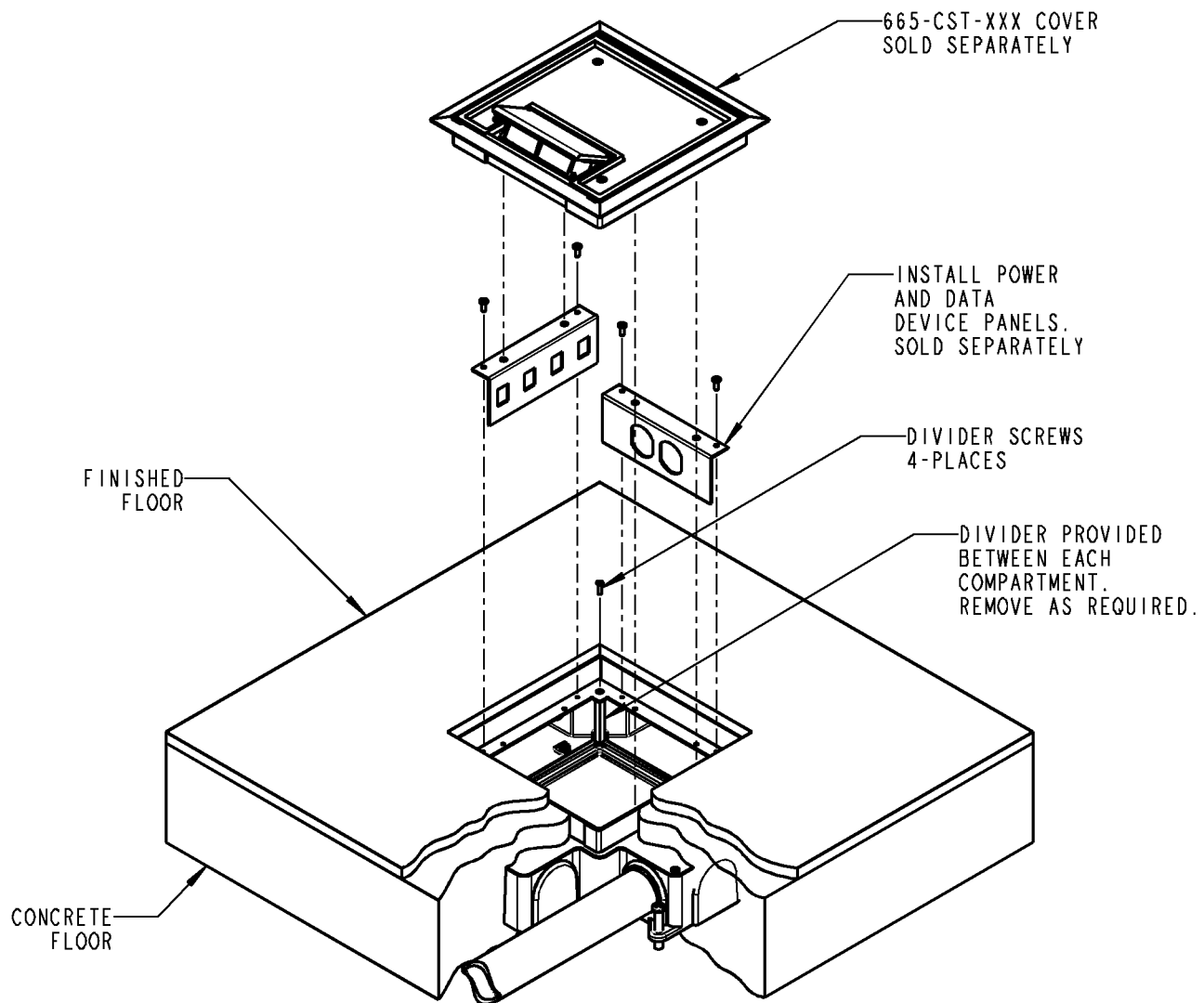
**2 OF 3**

REV. NO:

-

DRAWING NO:

**WSD000090**



**FIG. 4**

**SET UP FOR DEVICE PANELS AND COVER (SOLD SEPARATELY).**

**NOTE: DIVIDERS MUST BE INSTALLED BETWEEN POWER AND DATA COMPARTMENTS.**

A) ELECTRICAL CONDUCTORS OR DATA CABLE CAN BE ROUTED BETWEEN ADJACENT COMPARTMENTS BY REMOVING DIVIDERS AT INSIDE BOX CORNERS. GROUND SCREWS ARE PROVIDED FOR EACH COMPARTMENT. INSTALL POWER AND DATA DEVICE PANELS (NOT FURNISHED WITH FLOOR BOX). WIRE POWER DEVICES IN ACCORDANCE WITH THE NATIONAL ELECTRICAL CODE AND ANY LOCAL CODES.

B) ONCE DEVICE PANELS ARE INSTALLED, INSTALL 665-CST-XXX COVER (NOT FURNISHED WITH FLOOR BOX).

**Thomas & Betts**  
www.tnb.com

DESCRIPTION: **665-CI CAST IRON FLOOR BOX  
INSTALLATION GUIDE**

SHEET NO:

3 OF 3

REV. NO:

-

DRAWING NO:

**WSD000090**