

## INSTALLATION INSTRUCTIONS FOR CONCEALED SERVICE FLOOR BOX

Catalog Number: 665-SC

**IMPORTANT:** Read all instructions before installing floor box, carpet plate or mounting kit.

### ⚠ WARNING ⚠

**ELECTRICAL HAZARD!  
BE SURE POWER IS OFF!**

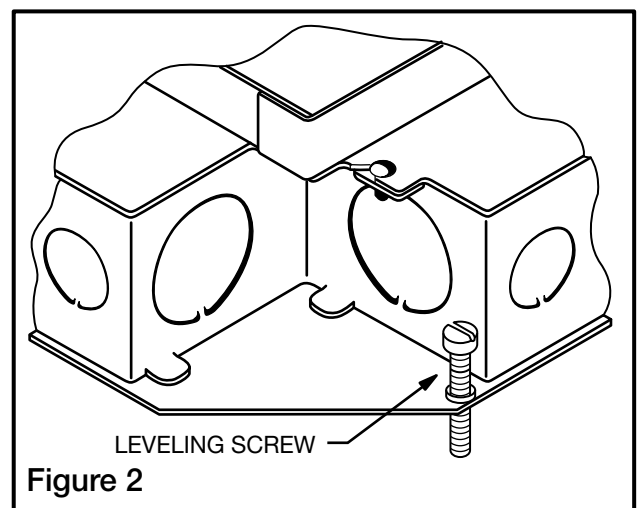
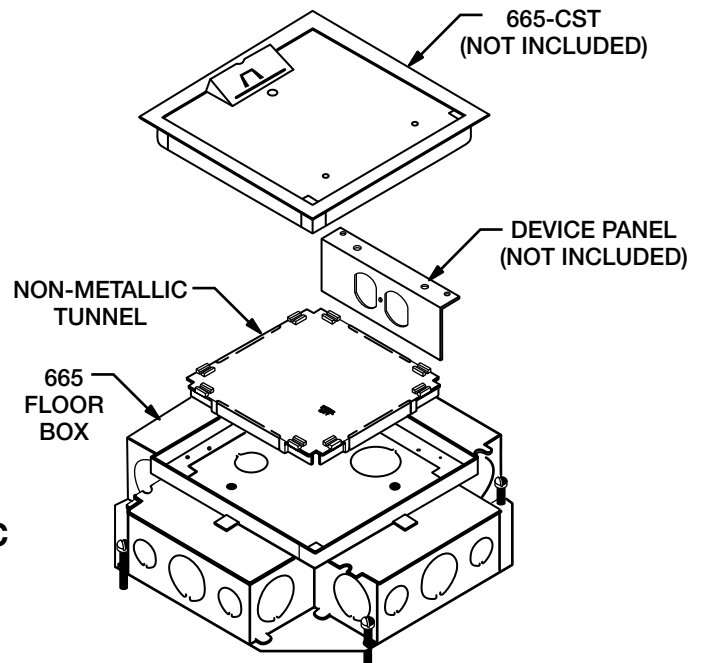
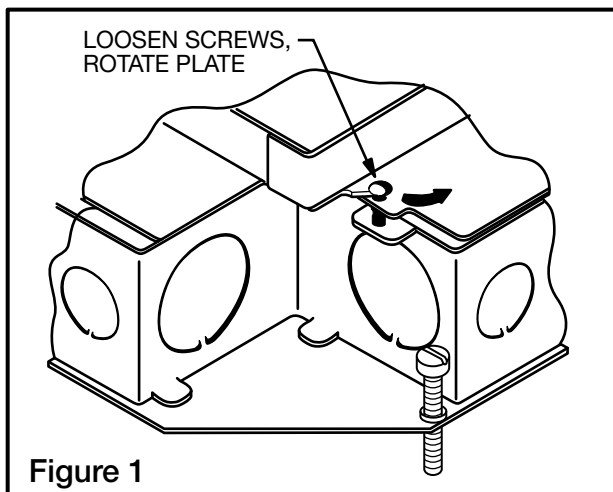
### ⚠ CAUTION ⚠

**FLOOR BOX SHOULD BE INSTALLED BY  
A QUALIFIED ELECTRICIAN IN  
ACCORDANCE WITH NATIONAL AND  
LOCAL ELECTRICAL CODES.**

**MINIMUM CONCRETE DEPTH FOR THE 665-SC  
FLOOR BOX IS: 3-1/2" DEEP**

### INSTALLATION

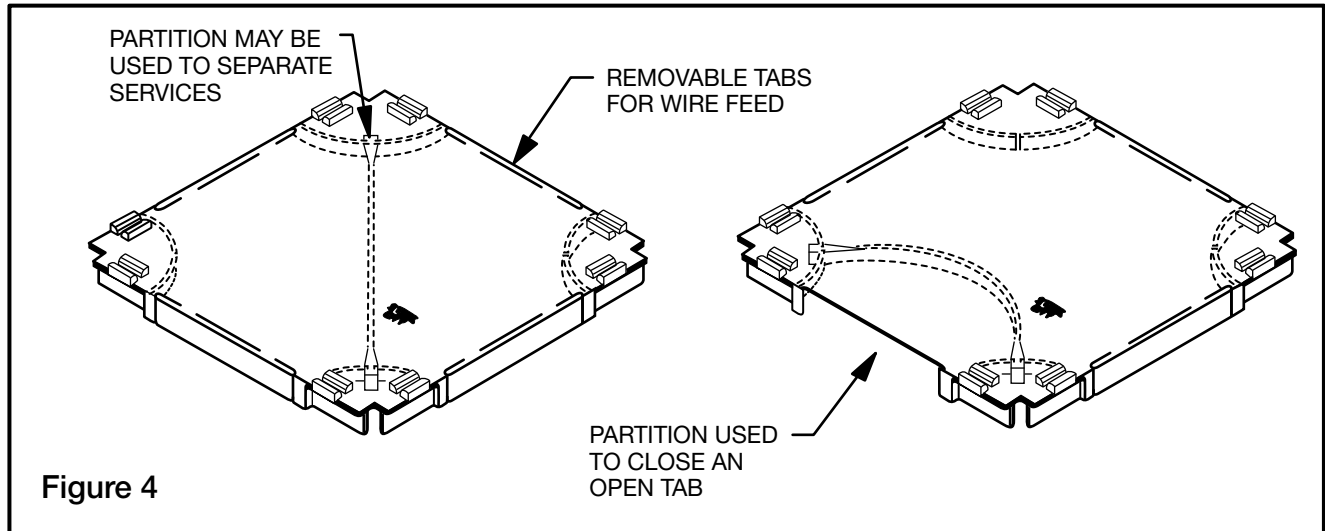
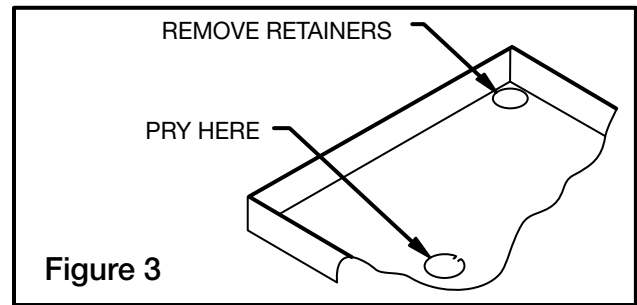
1. To remove top, loosen (4) screws and rotate top plate away from screws. See **Figure 1**.
2. Install conduit connectors as needed.



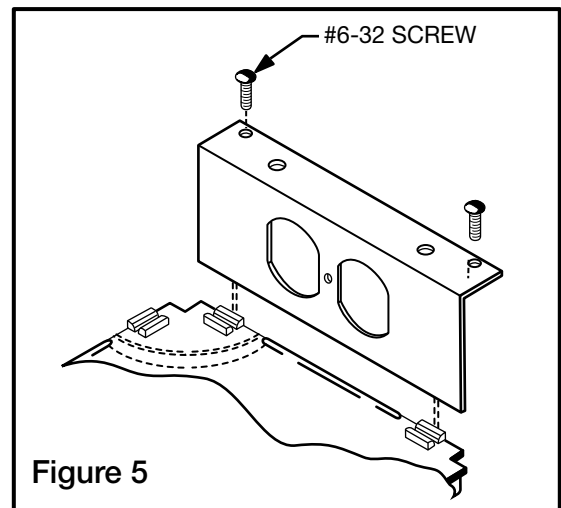
3. Replace top and tighten (4) screws.
4. Adjust box so that top edge is 1/16" below screed line using (4) leveling screws furnished. Attach conduit and secure box to form. See **Figure 2**.

## ACTIVATION

1. Locate the box and remove concrete from access frame. Break off plastic retainers (2) and use knockout to remove plate. See **Figure 3**.
2. Install devices in accordance with N.E.C. or prevailing local codes.



3. Place non-metallic tunnel in box to separate services by removing selected tabs for feed through. The snap-in partition can be used to isolate services or to close an open tab. See **Figure 4**.
4. The device panels are installed by locating the bottom edge in the locking tabs on the non-metallic tunnel and securing the top with the (2) #6-32 screws furnished. See **Figure 5**.
5. Complete the activation with the 665-CST cover using the (4) #8-32 screws furnished.



***This box is UL listed for carpet use only with 665-CST cover.***

**WARRANTY:** Thomas & Betts sells this product with the understanding that the user will perform all necessary tests to determine the suitability of this product for the user's intended application. Thomas & Betts warrants that this product will be free from defects in materials and workmanship for a period of two (2) years following the date of purchase. Upon prompt notification of any warranted defect, Thomas & Betts will, at its option, repair or replace the defective product or refund the purchase price. Proof of purchase is required. Misuse or unauthorized modification of the product voids all warranties.

**Limitations and Exclusions:** THE ABOVE WARRANTY IS THE SOLE WARRANTY CONCERNING THIS PRODUCT, AND IS IN LIEU OF ALL OTHER WARRANTIES EXPRESS OR IMPLIED, INCLUDING BUT NOT LIMITED TO ANY IMPLIED WARRANTY OF MERCHANTABILITY OR FITNESS FOR A PARTICULAR PURPOSE, WHICH ARE SPECIFICALLY DISCLAIMED. LIABILITY FOR BREACH OF THE ABOVE WARRANTY IS LIMITED TO COST OF REPAIR OR REPLACEMENT OF THE PRODUCT, AND UNDER NO CIRCUMSTANCES WILL THOMAS & BETTS BE LIABLE FOR ANY INDIRECT, SPECIAL, INCIDENTAL OR CONSEQUENTIAL DAMAGES.

Thomas & Betts Corporation  
Memphis, Tennessee  
www.tnb.com