



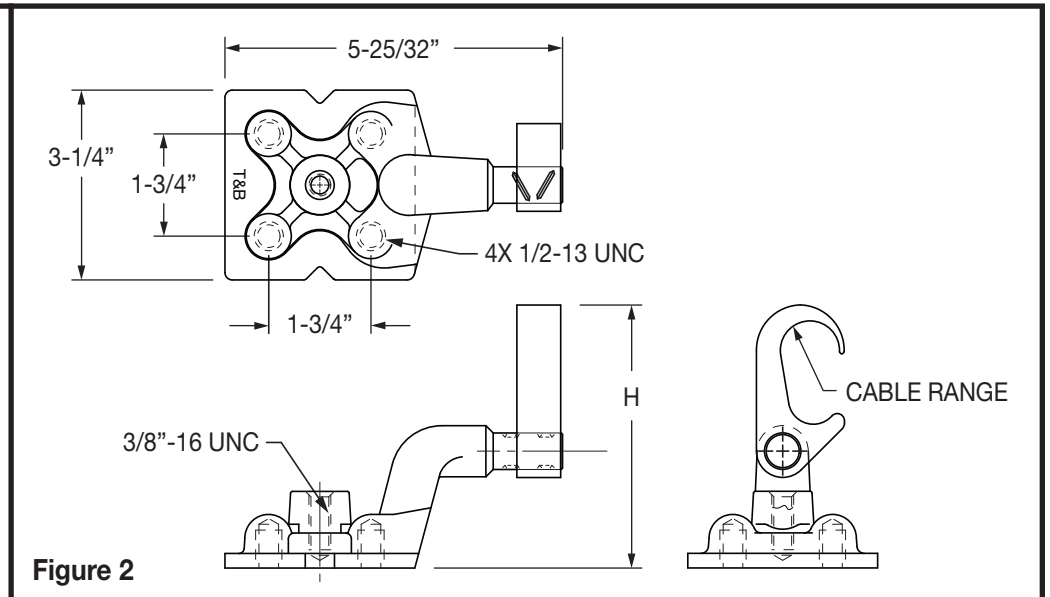
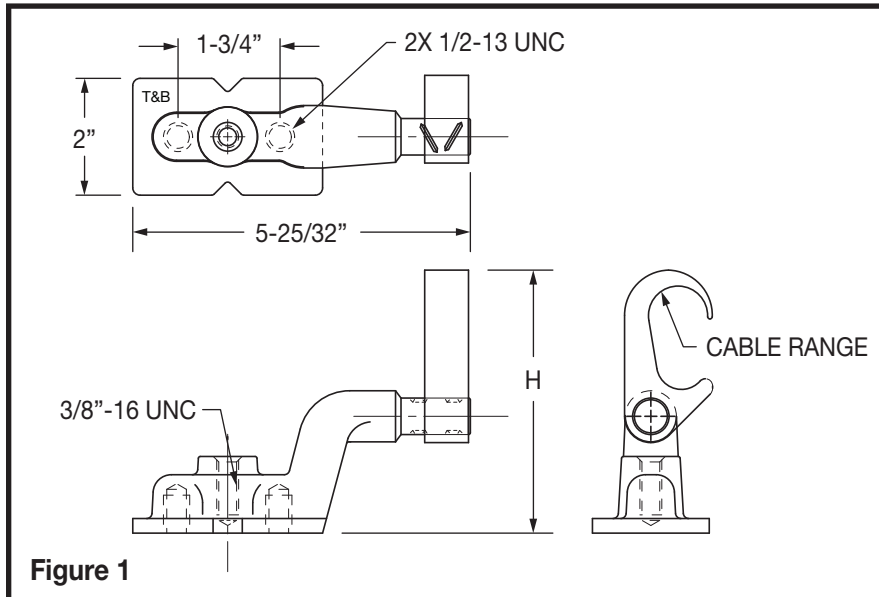
INSTRUCTION SHEET Ground Grid Connector

INSTRUCTIONS:

NOTE: Install these connectors on ground rods after the rods have been driven to their final depth.

- Clean cable of all visible dirt with rough cloth or brush and provide a bright copper finish by wire brushing or similar process. **Optional:** use knurling tool 240-31565-94 on smooth ground rods.
- Cable end(s) should protrude at least 3/4" beyond connector.
- Crimp using hydraulic tool 13100A, TBM14M, TBM14CR-LI, TBM15, TBM15CR-LI, or TBM15I and die as indicated on part.
IF USING THE TBM15, TBM15CR-LI, or TBM15I TOOL, A DIE ADAPTER NO. 15500-TB IS REQUIRED.

Cat. Nos.	Figure	Cable Range	H	Dies	Y750/Y35/Y39	Y45	Y46
GP250500-4	2	250-500 MCM	4-7/32"	15G121R (2)	U1011 (3)	S1011 (2)	P1011 (2)
GP250500-2	1	250-500 MCM	3-5/8"	15G121R (2)	U1011 (3)	S1011 (2)	P1011 (2)
GP2250-4	2	2-250 MCM	4-7/32"	15G86R (1)	U997 (1)	U997 (1)	U997 (1)
GP2250-2	1	2-250 MCM	3-5/8"	15G86R (1)	U997 (1)	U997 (1)	U997 (1)
				T&B (Crimped)	Burdny Tools (Crimped)		



WARRANTY

Limited Warranty Applies. Refer to:
www.tnb.com/ecpwarranty for full warranty terms.