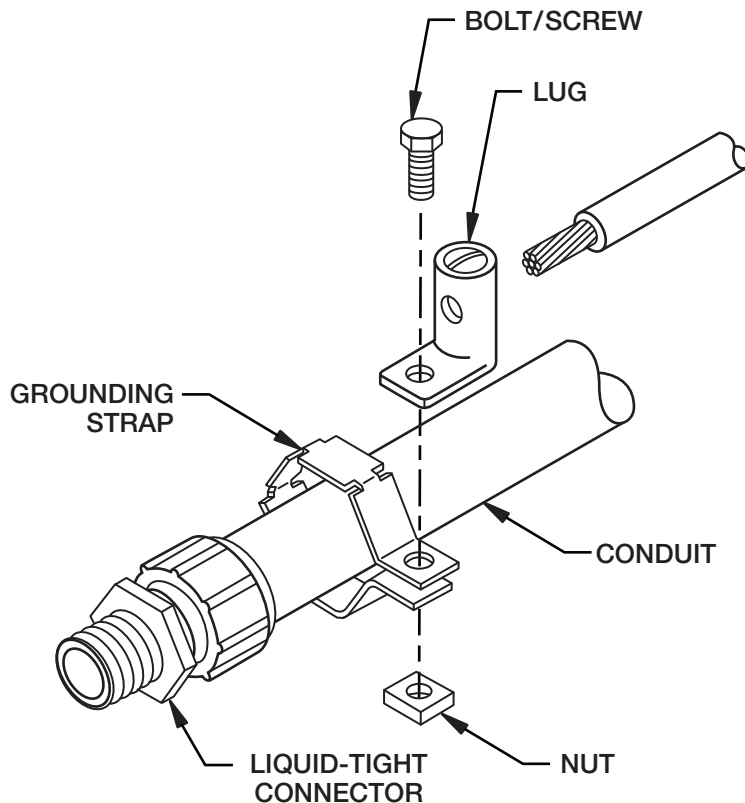


GROUNDING STRAPS

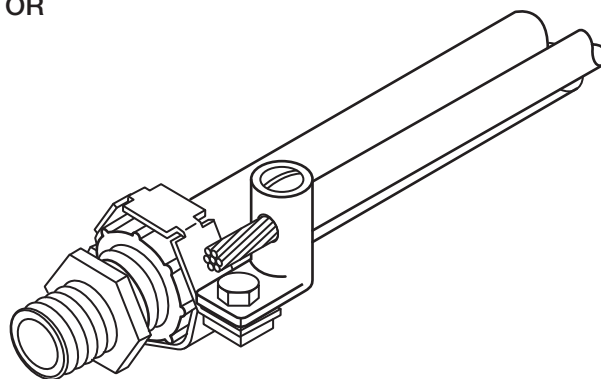
CAT. NO. GR1W
GR2W
GR3W
GR4W
GR5W



INSTRUCTIONS

1. Install T&B Liquid-Tight Connector (not included) on conduit.
2. Remove bolt/screw and nut from grounding strap.
3. Slide strap over gland nut.
4. Replace bolt/screw and nut securing lug (not included) in the desired position, tighten screw (50 lb-in screw driver head; 150 lb-in hex head bolt).
5. Insert grounding conductor in lug and tighten lug screw securely per UL486A.

NOTE: If lug is of the crimping type, crimp before installation and disregard Step 5.



WARRANTY: Thomas & Betts sells this product with the understanding that the user will perform all necessary tests to determine the suitability of this product for the user's intended application. Thomas & Betts warrants that this product will be free from defects in materials and workmanship for a period of two (2) years following the date of purchase. Upon prompt notification of any warranted defect, Thomas & Betts will, at its option, repair or replace the defective product or refund the purchase price. Proof of purchase is required. Misuse or unauthorized modification of the product voids all warranties.

Limitations and Exclusions: THE ABOVE WARRANTY IS THE SOLE WARRANTY CONCERNING THIS PRODUCT, AND IS IN LIEU OF ALL OTHER WARRANTIES EXPRESS OR IMPLIED, INCLUDING BUT NOT LIMITED TO ANY IMPLIED WARRANTY OF MERCHANTABILITY OR FITNESS FOR A PARTICULAR PURPOSE, WHICH ARE SPECIFICALLY DISCLAIMED. LIABILITY FOR BREACH OF THE ABOVE WARRANTY IS LIMITED TO COST OF REPAIR OR REPLACEMENT OF THE PRODUCT, AND UNDER NO CIRCUMSTANCES WILL THOMAS & BETTS BE LIABLE FOR ANY INDIRECT, SPECIAL, INCIDENTAL OR CONSEQUENTIAL DAMAGES.

Thomas & Betts Corporation
Memphis, Tennessee
www.tnb.com