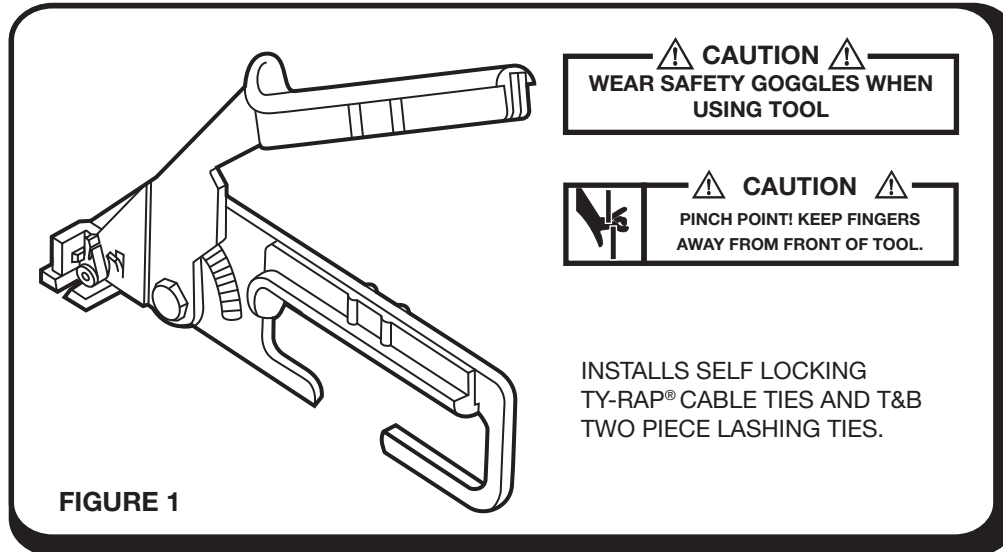


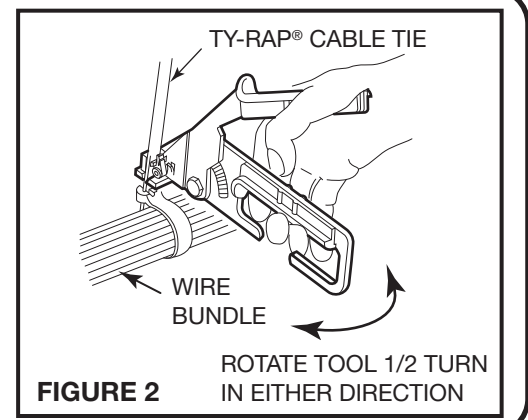
INSTALLATION TOOL

CAT. NO. WT3D



INSTALLING INSTRUCTIONS

1. Place tool on tie as shown. (See Figure 2).
2. Squeeze handle as many times as necessary to tighten tie to desired tension.
DO NOT OVER TIGHTEN TIE.
3. Release handle pressure to the minimum necessary to hold nose of tool against tie head and rotate tool 1/2 turn - then squeeze handle to pull the cut-off tail from tie.
4. Tool will install lashing ties, but is not designed to cut ties wider than .500" [12.7 mm].



For parts or service, contact the tool service center at 1-800-284-TOOL (8665).

Thomas & Betts

WARRANTY: Thomas & Betts sells this product with the understanding that the user will perform all necessary tests to determine the suitability of this product for the user's intended application. Thomas & Betts warrants that this product will be free from defects in materials and workmanship for the period stated on the enclosed warranty card. Upon prompt notification of any warranted defect, Thomas & Betts will, at its option, repair or replace the defective product or refund the purchase price. Proof of purchase is required. Misuse or unauthorized modification of the product voids all warranties.

Limitations and Exclusions: THE ABOVE WARRANTY IS THE SOLE WARRANTY CONCERNING THIS PRODUCT, AND IS IN LIEU OF ALL OTHER WARRANTIES EXPRESS OR IMPLIED, INCLUDING BUT NOT LIMITED TO ANY IMPLIED WARRANTY OF MERCHANTABILITY OR FITNESS FOR A PARTICULAR PURPOSE, WHICH ARE SPECIFICALLY DISCLAIMED. LIABILITY FOR BREACH OF THE ABOVE WARRANTY IS LIMITED TO COST OF REPAIR OR REPLACEMENT OF THE PRODUCT, AND UNDER NO CIRCUMSTANCES WILL THOMAS & BETTS BE LIABLE FOR ANY INDIRECT, SPECIAL, INCIDENTAL OR CONSEQUENTIAL DAMAGES.

Thomas & Betts Corporation
Memphis, Tennessee
www.tnb.com