

METALLIC CONCEALED SERVICE TOP INSTALLATION INSTRUCTIONS CATALOG NUMBERS

664-CST-M-ALM, 664-CST-M-BRS, 664-CST-M-BLK, 665-CST-M-ALM,
665-CST-M-BRS, 665-CST-M-BLK.

664-CST METALLIC SERIES COVERS

- For use on 664 Series Floor Boxes
- Factory installed on AFM-2 Series Access floor modules.

665-CST METALLIC SERIES COVERS

- For use on 665 Series Floor Boxes
- Factory installed on AFM-4 Series Access floor modules.



WARNING

ELECTRICAL HAZARD!
TURN POWER OFF BEFORE WORK!

INSTALLATION GUIDE

- 1) Trim Floor covering to dimension of Figure 1.
- 2) Apply clear silicone sealant as shown in Figure 2a for wood or tile floor covering or Figure 2b for carpet floor covering. Assemble Cover to Floor Box.

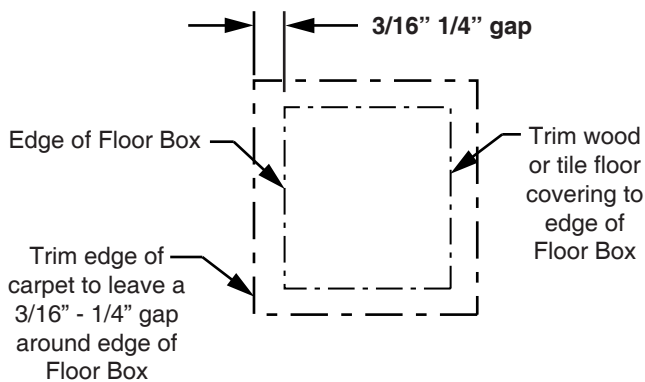


Figure 1

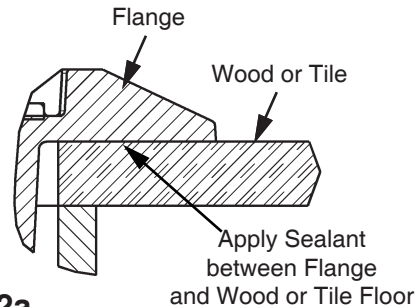


Figure 2a

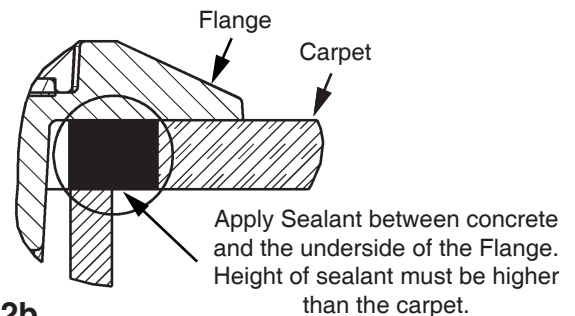


Figure 2b

- 3) Lift Lid and lay to the side. Insert screws complete with O-rings through Cover into threaded holes in Metal Floor Box. Turn screws until heads and O-rings make contact with the Cover. To secure, tighten screws 1-1/2 turns. (See Figure 3).

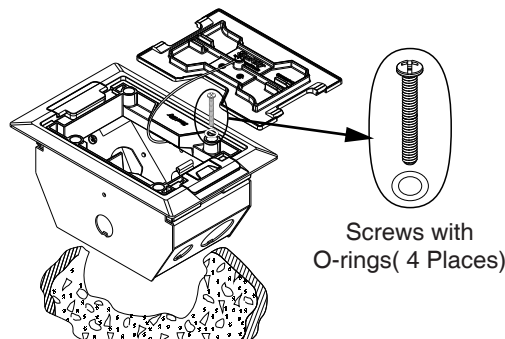


Figure 3

APPLICATION GUIDE

PROCEDURES FOR USING METALLIC COVERS

A. Using the Cover with Cords

- Step 1. Pull Latch back, CST Lid pops up.
- Step 2. Lift Lid and lay to the side. Plug in cords as needed and route over Cord Ramp.
- Step 3. Rotate Lid around so that Cord Slot is located directly over Cord Ramp.
- Step 4. Insert Lid Tab into slot of Flange to close Lid.
- Step 5. Push end of Lid downward and backwards against Latch to snap into place. Use care to prevent lid from pinching fingers.
- Make certain cords/cables are within the cord slot.

B. Closing the Cover

- Step 1. Follow Steps 1 and 2 as in Procedure A.
- Step 2. Unplug and remove all cords/cables. Rotate cover around so that cord slot feature of the CST Lid is positioned over the seal cap (See Figure 4)
- Step 3. Follow Step 4 and 5 as shown in Procedure A.

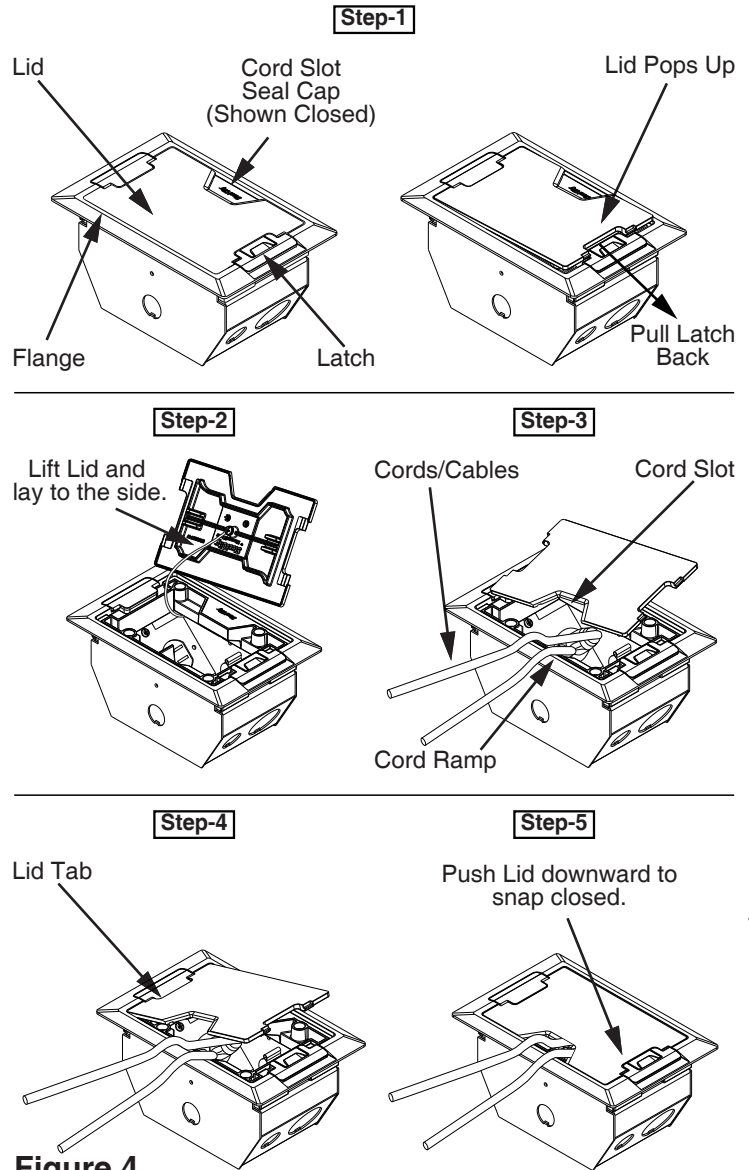


Figure 4

WARRANTY: Thomas & Betts sells this product with the understanding that the user will perform all necessary tests to determine the suitability of this product for the user's intended application. Thomas & Betts warrants that this product will be free from defects in materials and workmanship for a period of two (2) years following the date of purchase. Upon prompt notification of any warranted defect, Thomas & Betts will, at its option, repair or replace the defective product, or refund the purchase price. Proof of purchase is required. Misuse or unauthorized modification of the product voids all warranties.

Limitations and Exclusions: THE ABOVE WARRANTY IS THE SOLE WARRANTY CONCERNING THIS PRODUCT, AND IS IN LIEU OF ALL OTHER WARRANTIES EXPRESS OR IMPLIED, INCLUDING BUT NOT LIMITED TO ANY IMPLIED WARRANTY OF MERCHANTABILITY OR FITNESS FOR A PARTICULAR PURPOSE, WHICH ARE SPECIFICALLY DISCLAIMED. LIABILITY FOR BREACH OF THE ABOVE WARRANTY IS LIMITED TO COST OF REPAIR OR REPLACEMENT OF THE PRODUCT, AND UNDER NO CIRCUMSTANCES WILL THOMAS & BETTS BE LIABLE FOR ANY INDIRECT, SPECIAL, INCIDENTAL OR CONSEQUENTIAL DAMAGES.